

8111 - FLEXMOUNT

ACCESSORIES



SIX CONFIGURATIONS IN ONE KIT.

FLEXmount offers six different configurations—all in one kit. This single mount will handle most mounting scenarios. Best of all, if you decide to change the way the arm is mounted several months after purchase, there is nothing more to buy—simply reconfigure your FLEXmount.






FEATURES

- **Flexible:** Six mounting options, including: desk clamp, thru-desk, grommet, wall, reverse wall and side bolt.
- **Compatible:** 7000 Series Articulating Mounts and Single Tier Pole Mounts.

SPECIFICATIONS

Finishes

	Flat White 248
	Silver 124
	Vista Black 104

Part Numbers

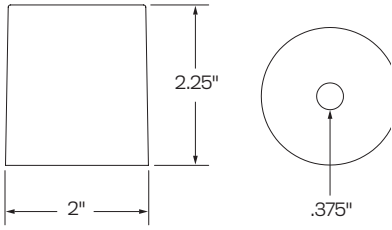
8111-___

WARRANTY

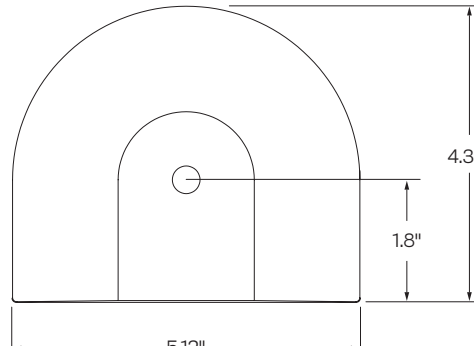
10 years

CAPABILITIES

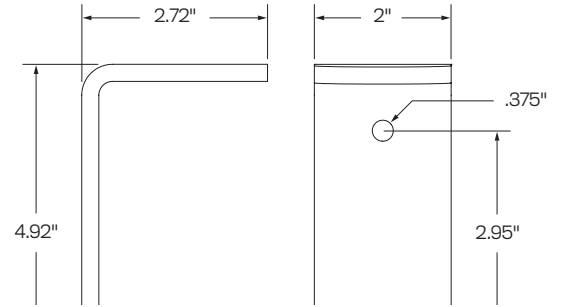
MOUNT COLUMN



BASE PLATE



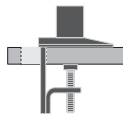
LARGE "L" BRACKET



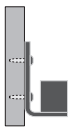
Desk Edge



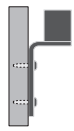
Thru-Desk



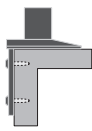
Grommet



Wall



Reverse Wall



Side Bolt