

7FLEX[®] HD
MONITOR ARMS



HEAVY DUTY FLEXIBILITY.

The 7Flex HD desk monitor mount features Innovative's patented HD tilter, a spring-assisted pivot for the monitor which makes adjustments remarkably easy, even with larger screens. Move the monitor precisely where you need it, and simply move it out of the way when not in use.



FEATURES

- **Robust:** Includes our spring-assisted tilter for greater weight capacity and smoother monitor tilt adjustment.
- **Responsive:** One-touch monitor adjustment.
- **Space-Saving:** Slim profile design folds up flat to occupy just 3" of space.
- **Adaptable:** Includes our FLEXmount, offering six different reconfigurable mounting solutions in one kit.
- **Cable Management:** Integrated cable management system hides cables and keeps your worksurface free of clutter.
- **Compatible:** VESA-monitor compatible – 75mm & 100mm VESA adapter included.

SPECIFICATIONS

Finishes



Vista Black
104

Dimensions

Screen Size: Up to 32"
Height Adjustment: 16"
Extension Range: 24"
Monitor Pivot: Landscape to Portrait
Weight Capacity: 2 – 31 lbs.
Rotation: 360° at three joints
Tilt: Up to 190° / Pan: 180°
Mount: Desk Edge, Thru-Desk, Grommet, Wall, Reverse Wall, Side Bolt

Part Numbers

7FLEX-HD-ETUS-104



Integrated cable management

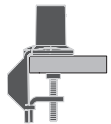
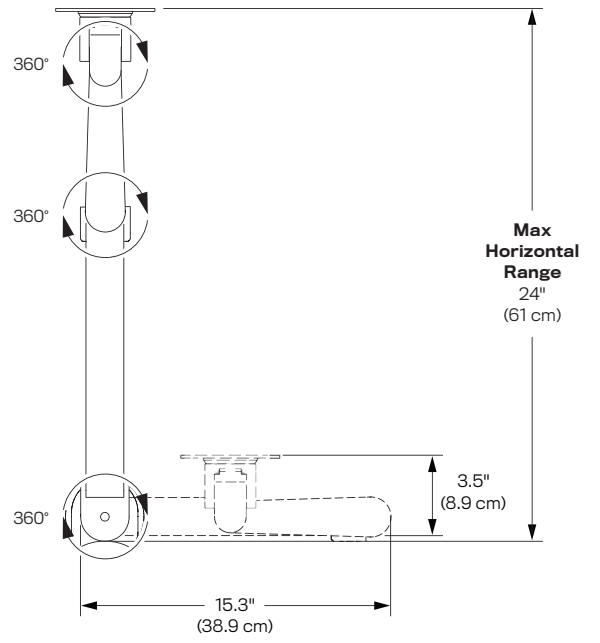
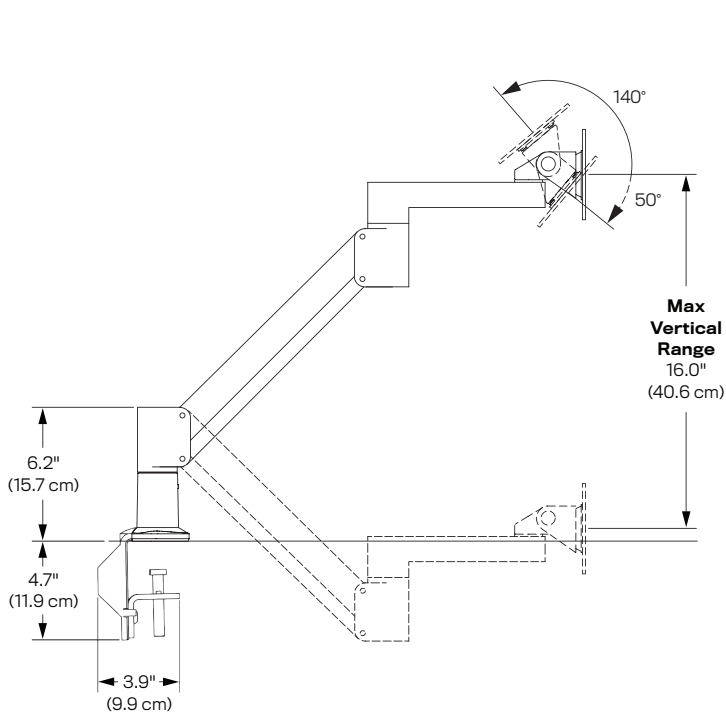


Space-saving dDesign

WARRANTY

10 years

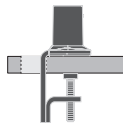
CAPABILITIES



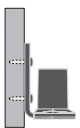
Desk Edge



Thru-Desk



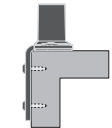
Grommet



Wall



Reverse Wall



Side Bolt