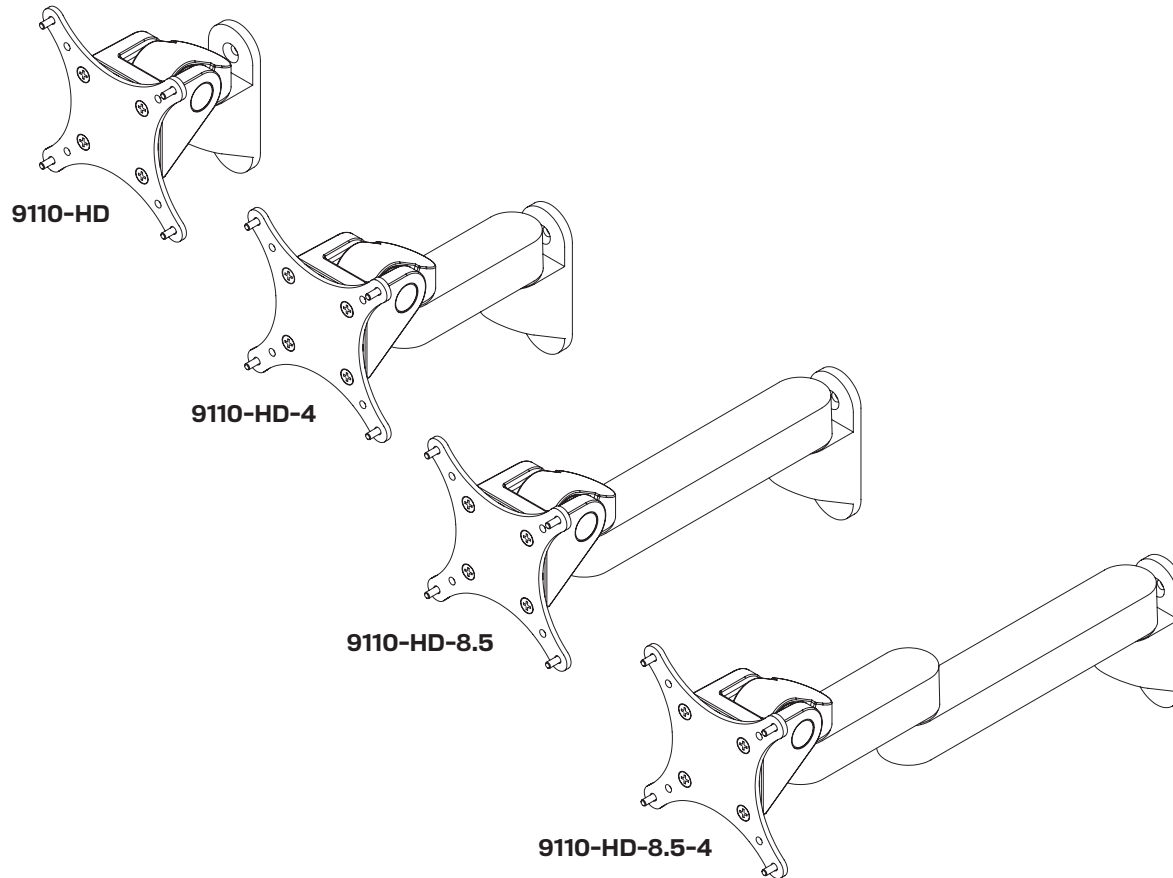


9110-HD

Installation Instructions



Parts List

NOTE: THERE MAY BE
ADDITIONAL PARTS UNDER TRAY.
PLEASE REVIEW ENTIRE PACKAGE
PRIOR TO DISCARDING.

A



Wall Mount
RP406795

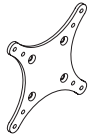
B

10-32 x 3/8" PhPHS (4-pack)
702281



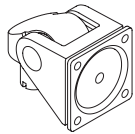
C

75/100mm VESA Adapter
105587



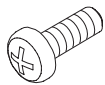
D

Spring-Assisted Monitor Tilter
407747

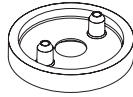


E

M4 x 12mm Phillips Pan Head Screw (4-pack)
702096



F



Dog Washer
105189

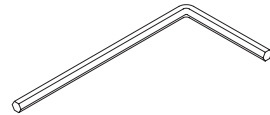
G

10-32 x 3/8" FPhMS w/Lock Patch
705198

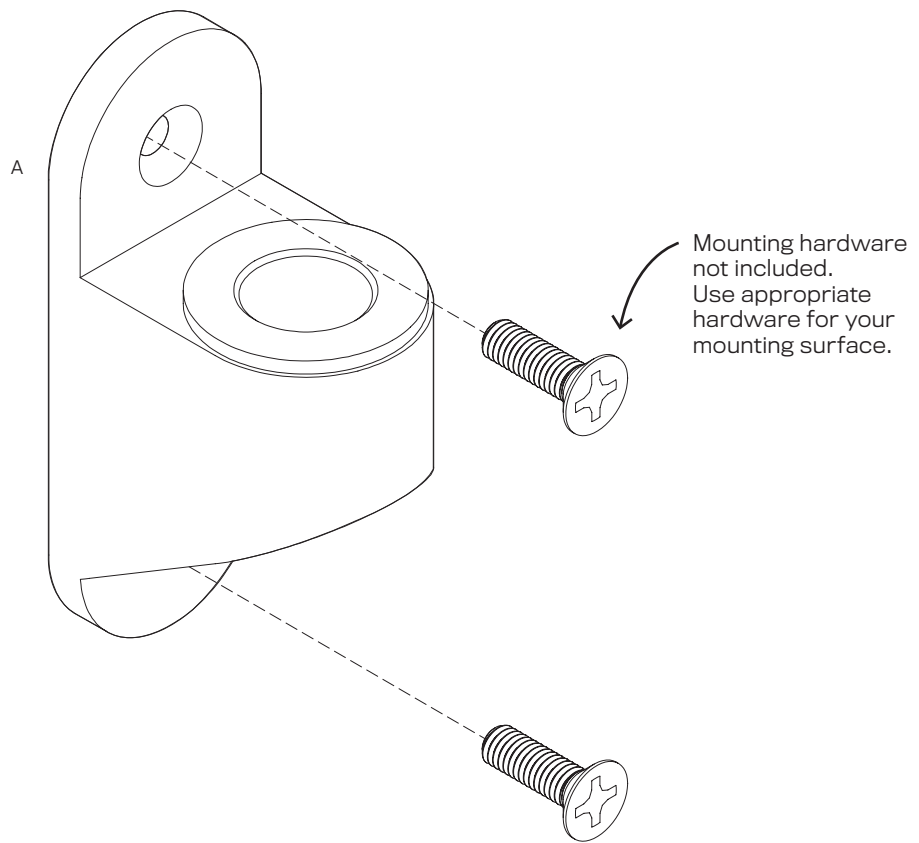


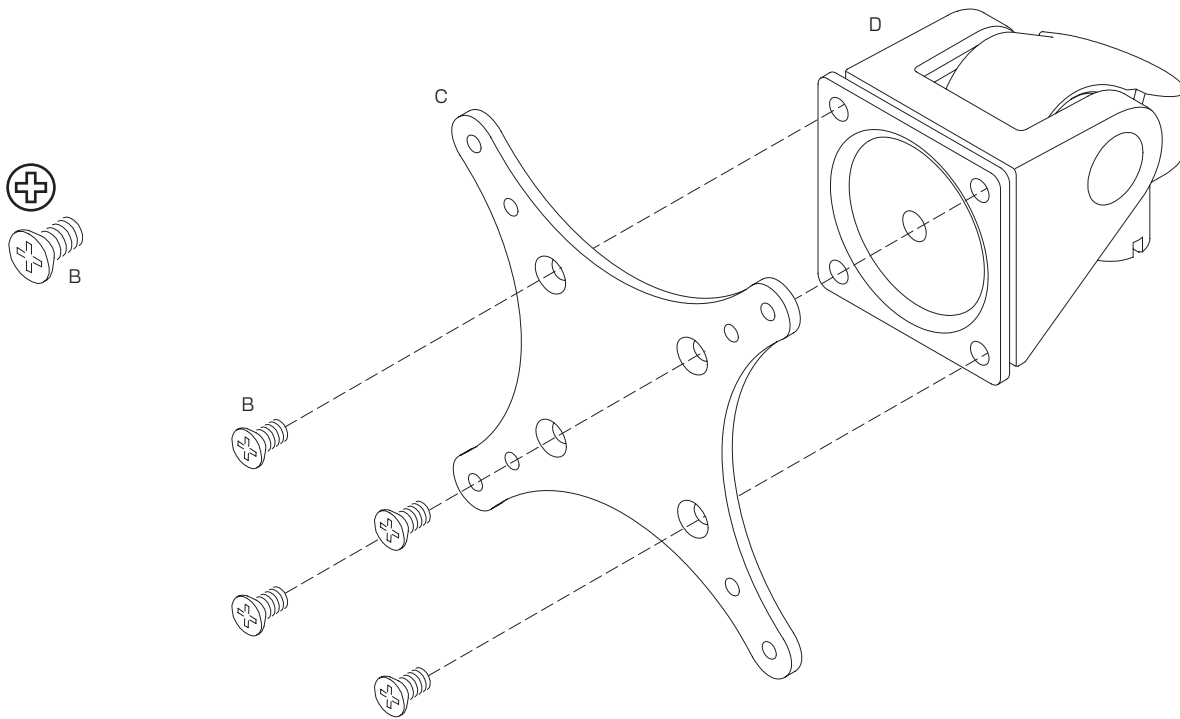
H

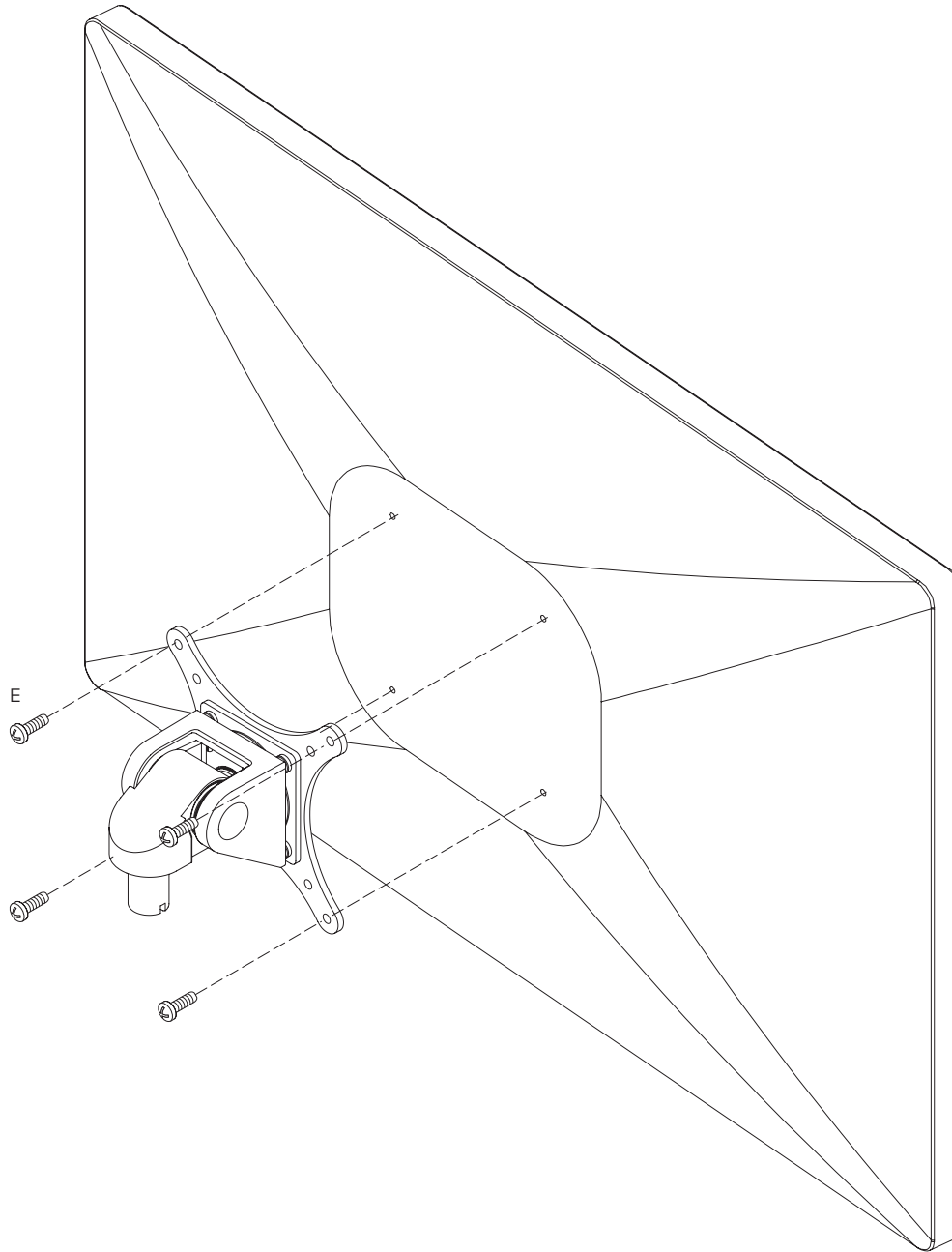
7/32" Allen Wrench
701127



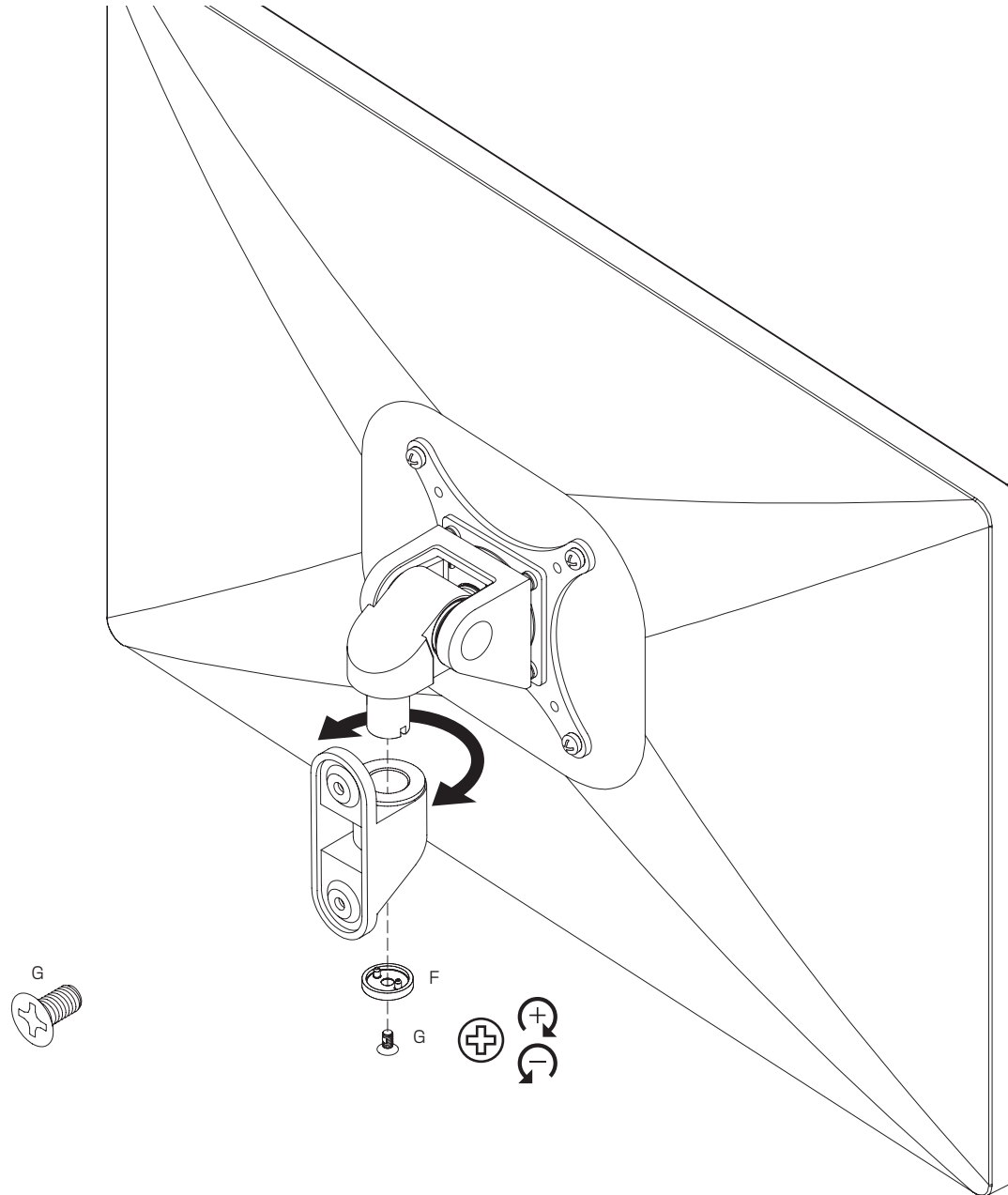
1



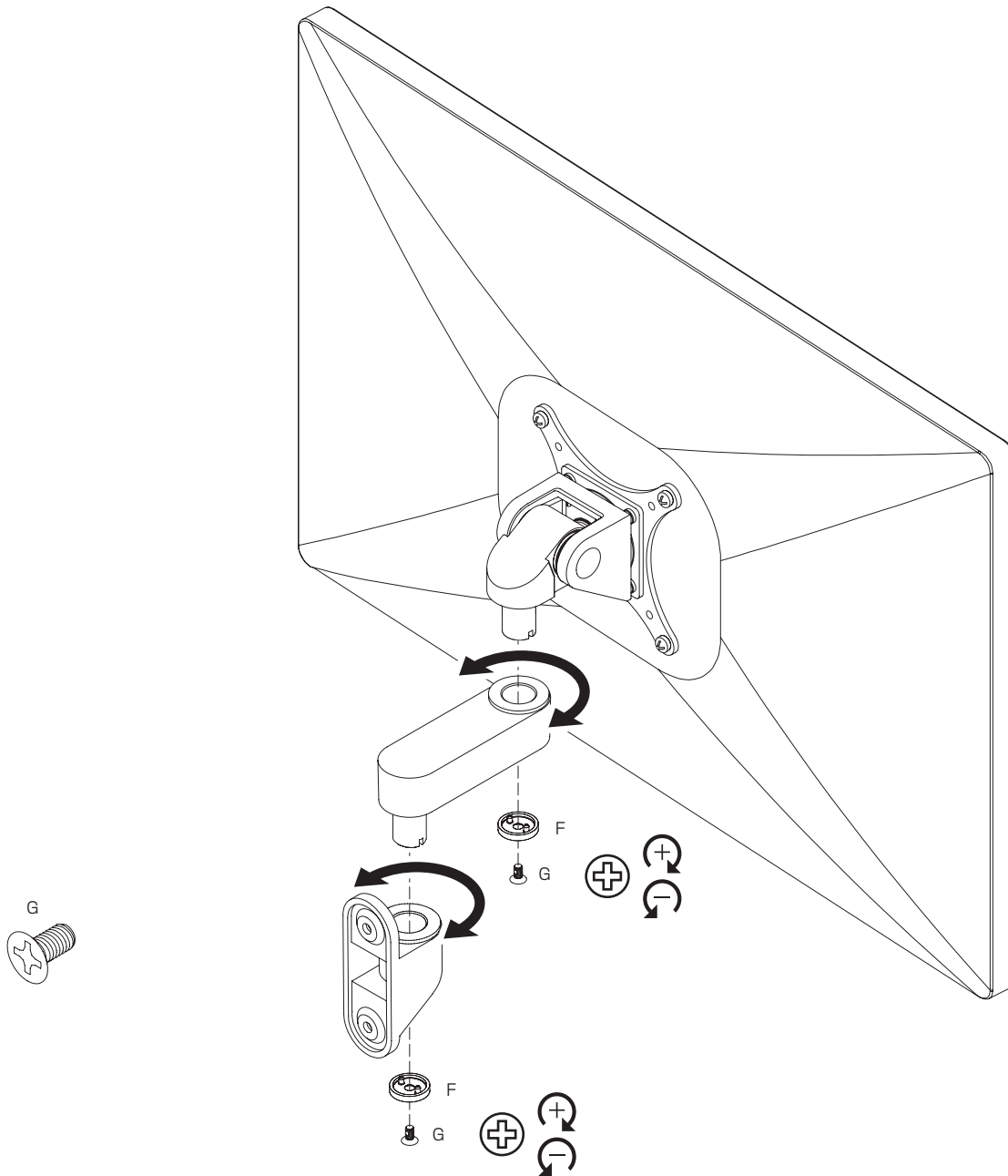




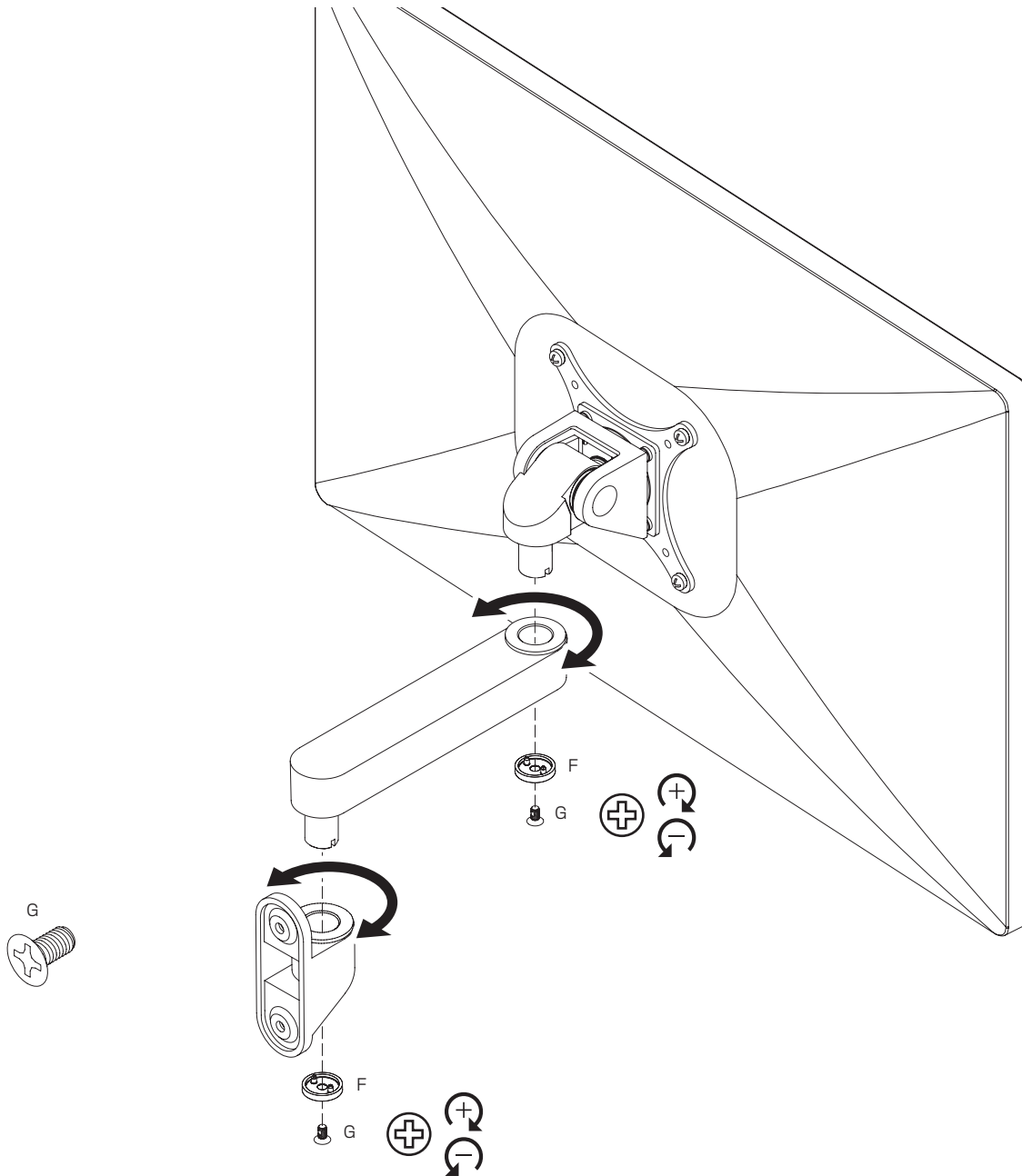
4



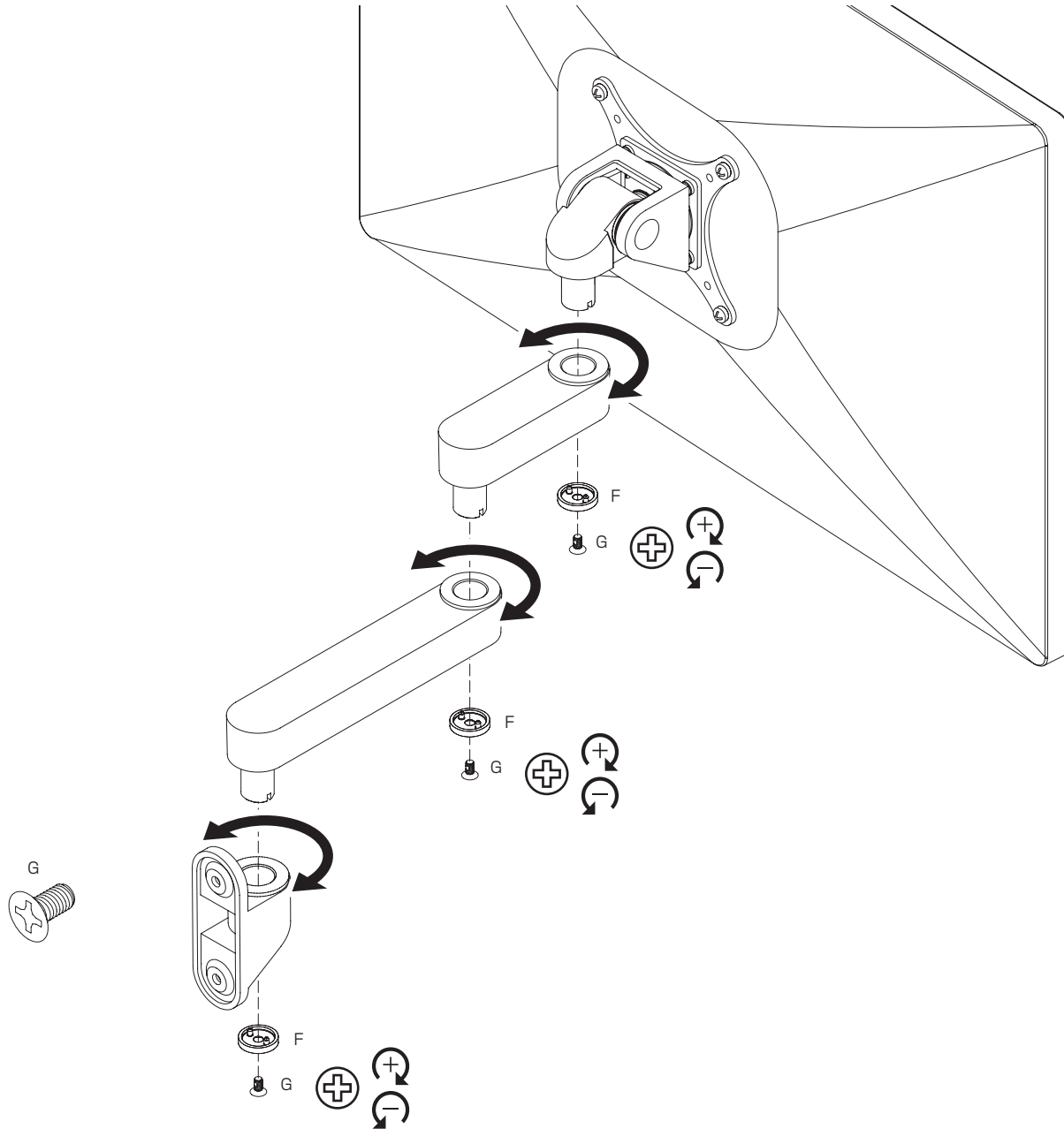
5

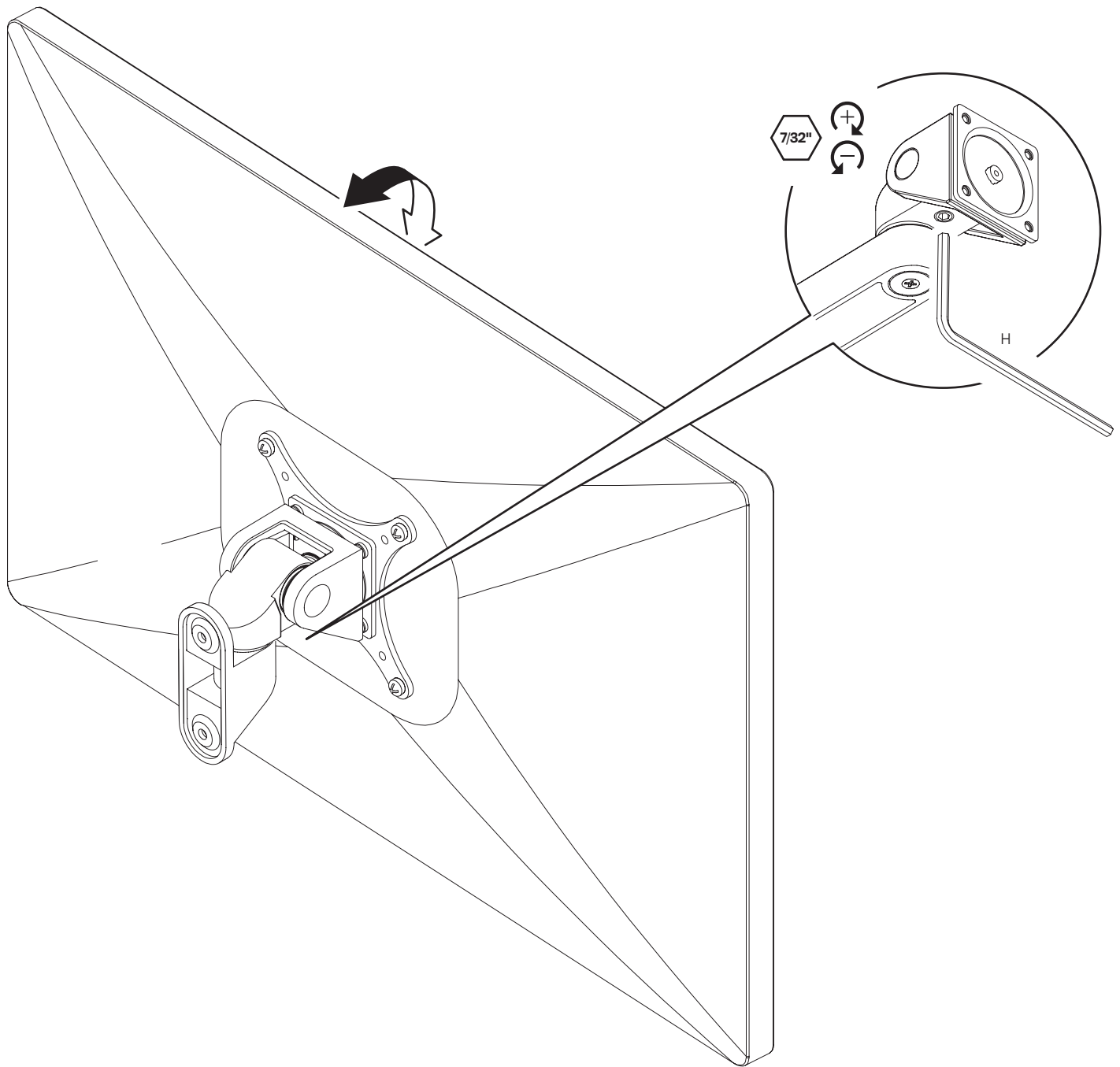


6



7





9

