

MODULAR NOW®
BACK TO BACK SURFACE POLE MOUNT
POINT-OF-SALE



AN ADAPTABLE SOLUTION FOR POS MOUNTS.

Our Modular Now pole mounts feature durable construction, an attractive appearance and internal cable management to create a clean look for any retail environment.



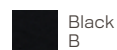
The displays can be pivoted or turned to suit the users needs; it can also be locked into position if needed.

FEATURES

- **Durable:** Expert engineering and a thoughtful production process means Modular Now poles are one of the highest quality POS mounting options available on the market.
- **Aesthetic:** Cables can be routed inside pole for a clean look.
- **Space:** A single Modular Now pole can support multiple displays, payment terminals, printers and a keyboard allowing for more selling space.
- **Customizable** Need to add support for a second display, terminal payment device or printer? The Modular Now system lets you quickly and easily create a custom configured solution.

SPECIFICATIONS

Finishes



Black
B

Dimensions

Mount: Mount plate has countersunk holes for 1/4" flat screws
Pole Heights: 12", 14", 17", 24"
VESA Compatibility: 75 & 100 mm

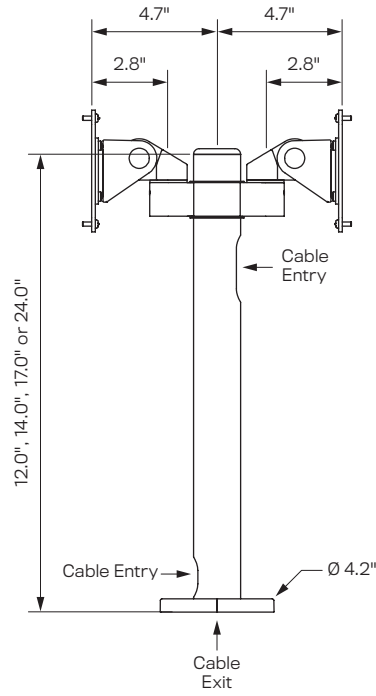
Part Numbers

MNPL10-D-12SB (12" pole)
MNPL10-D-14SB (14" pole)
MNPL10-D-17SB (17" pole)
MNPL10-D-24SB (24" pole)

WARRANTY

10 years

CAPABILITIES



Mounting Hardware Not Included
Mount plate has countersunk
holes for 1/4" flat head screws (4x).