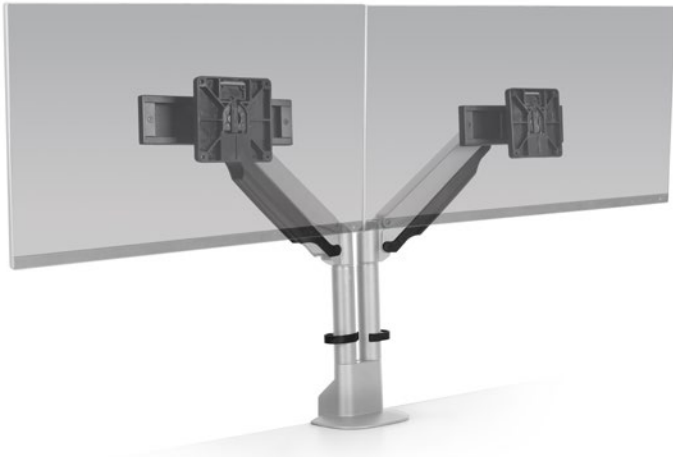




## **E2 DUAL** MONITOR ARMS

## SLEEK DESIGN. MAXIMUM FLEXIBILITY.

An evolution in ergonomics. Introducing “E2”, the next generation of the original Envoy monitor arm. E2 offers a polished design with maximum flexibility for user screen interaction. With a recent study citing 24% of workers experience neck pain, the E2 seeks to optimize user performance and adjustment control while eliminating the strain on neck muscles.



With a fast and easy install, quick release tilter and featured sliders on the dual arm, the E2 proves to be the ideal monitor arm for both home and office environments.

### FEATURES

- **Sleek:** Clean lines and a modern silhouette provide a stylish profile for either home or office.
- **Ergonomic:** Allows monitors to be placed at an ergonomically correct distance from the user's eyes to increase comfort and productivity no matter where a person is working.
- **Dynamic:** Portrait-to-landscape rotation feature reduces stress on the neck and shoulders.
- **Compatible:** VESA-monitor compatible - 75mm & 100mm VESA adapters included.



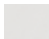


Cable management allows for a clutter-free workspace



Integrated sliders provide maximum flexibility

### SPECIFICATIONS

#### Finishes

|   |                    |
|---|--------------------|
|  | Flat White<br>248  |
|  | Silver<br>124      |
|  | Vista Black<br>104 |

#### Dimensions

Screen Size: Up to 27"  
 Height Adjustment: 13"  
 Width Adjustment Range: 17.5" - 28.5"  
 Max Monitor Height: 18.5"  
 Weight Capacity: 2.2 - 20 lbs. per monitor  
 Mount: Desk Edge, Grommet  
 Compatibility: Up to 1.5" desk thickness

#### Part Numbers

E2-2-\_\_

### WARRANTY

10 years