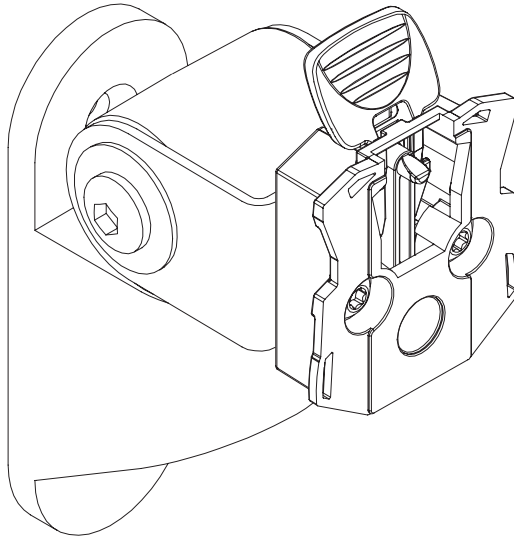


PTS-WM-LANE-WK

Installation Instructions

Innovative Ergonomic Solutions companies



PTS-WM-LANE-WK

Parts List

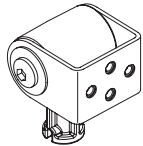
A Wall Mount 1x
RP406795



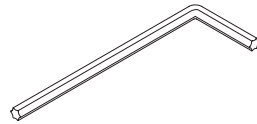
F 10-32 x 3/8" FPhMS w/Lock Patch 1x
705198



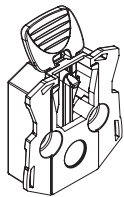
B Mini Tilter 1x
416267



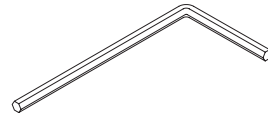
G T25 L-Key 1x
714899



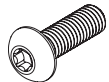
C Lane WK Adapter Plate 1x



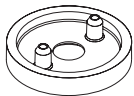
H 7/32" Allen Wrench 2x
701127



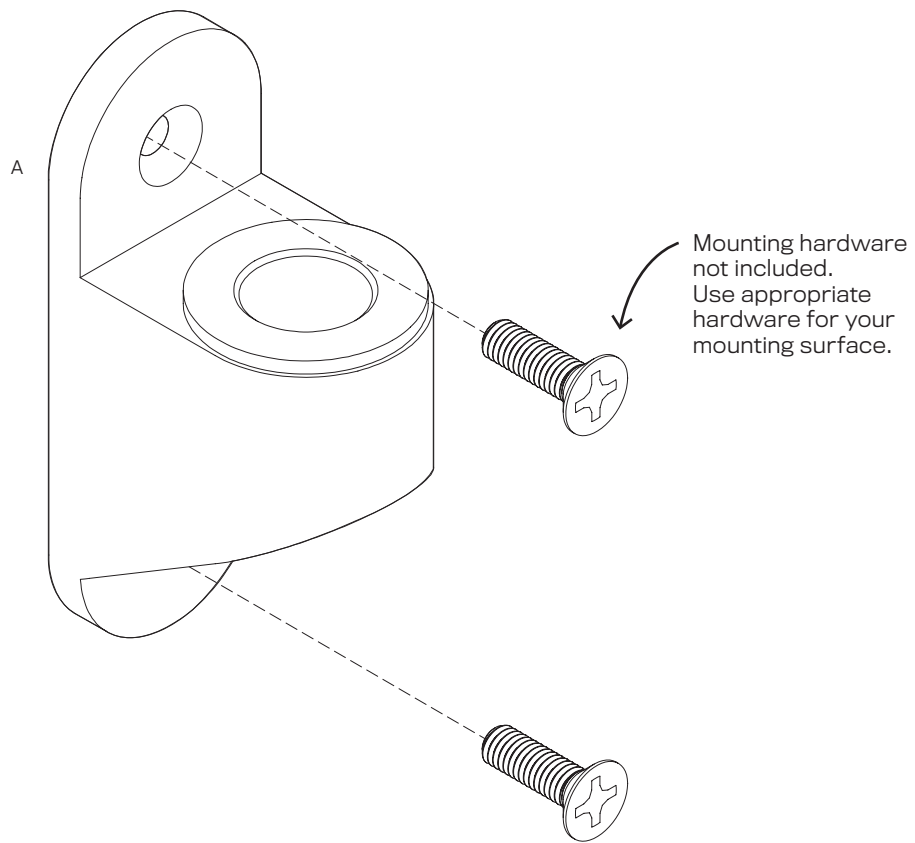
D Lane Adapter Screw 2x
714305

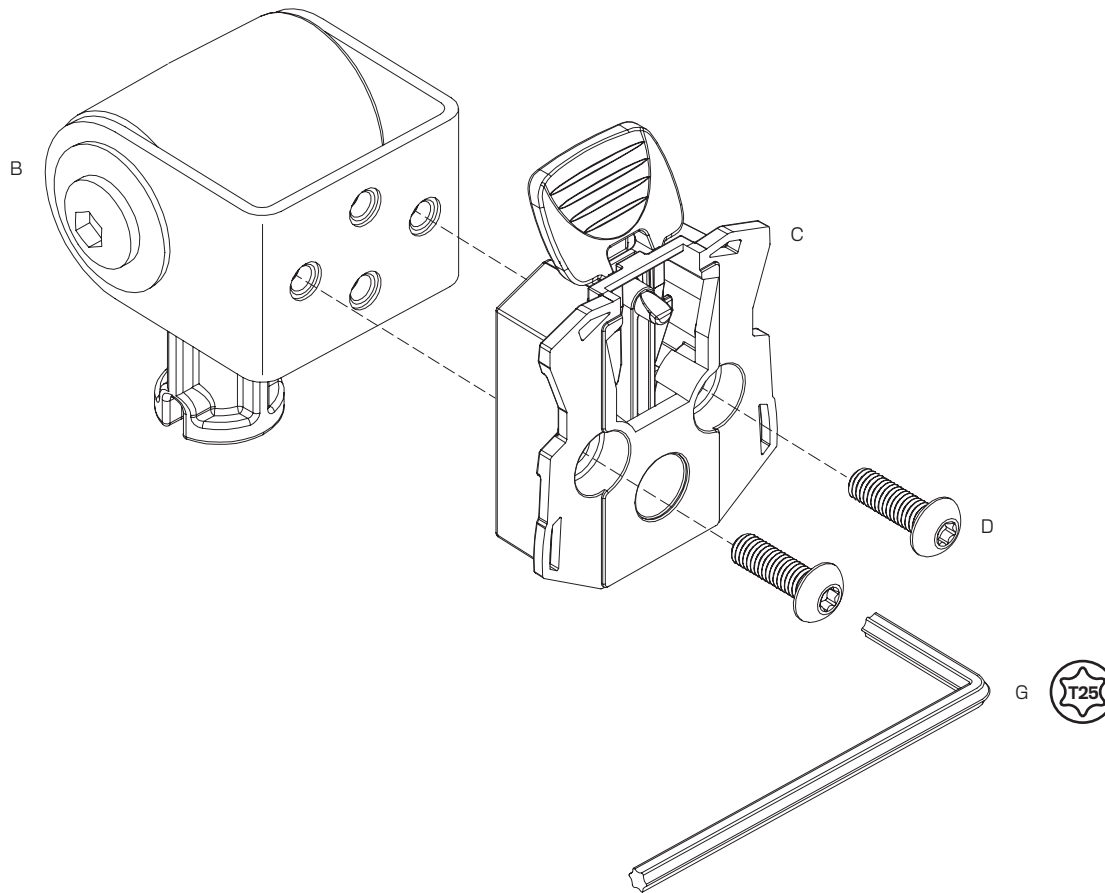


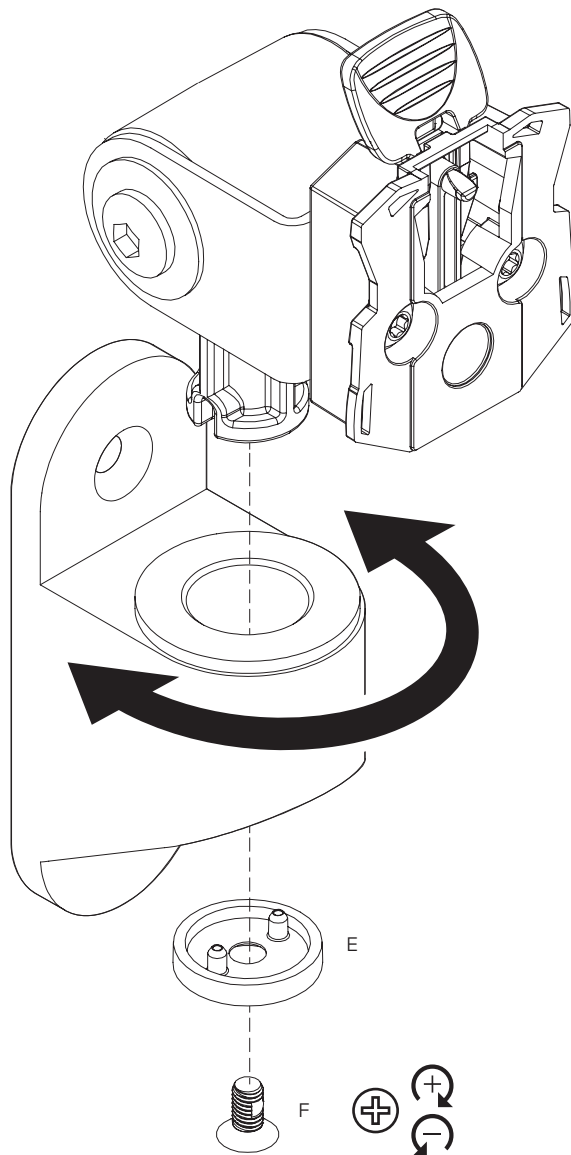
E Dog Washer 1x
105189



1







4

4a Push the adapter key down.

4b With the key pushed down, pull the key back.

4c With the key pushed back, slide payment terminal onto mount.

Once the payment terminal is successfully attached to the mount, return the key to the original position.

