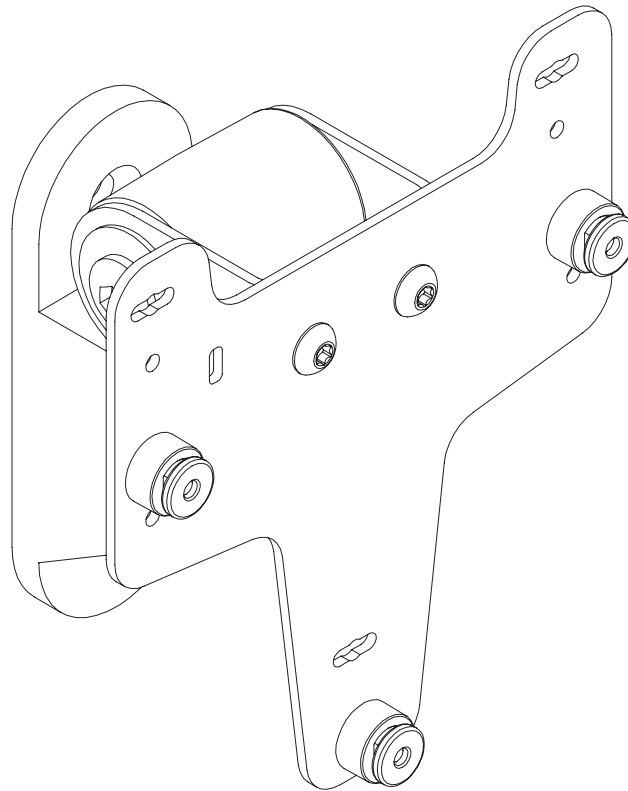


PTS-WM-ISC250-ISC480

Installation Instructions

Innovative Ergonomic Solutions companies



PTS-WM-ISC250-ISC480

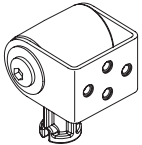
Parts List

A



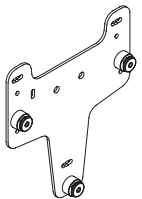
Wall Mount 1x
RP406795

B



Mini Tilter 1x
416267

C



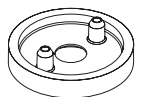
Ingenico iSC250/iSC480 Adapter Plate 1x
113808

D



Tilt Bracket Screw 2x
113900

E



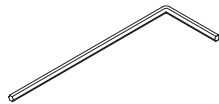
Dog Washer 1x
105189

F



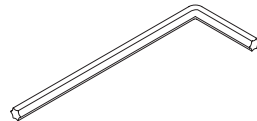
10-32 x 3/8" FPhMS w/Lock Patch 1x
705198

G



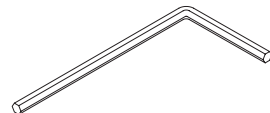
T15 L-Key 1x
714904

H



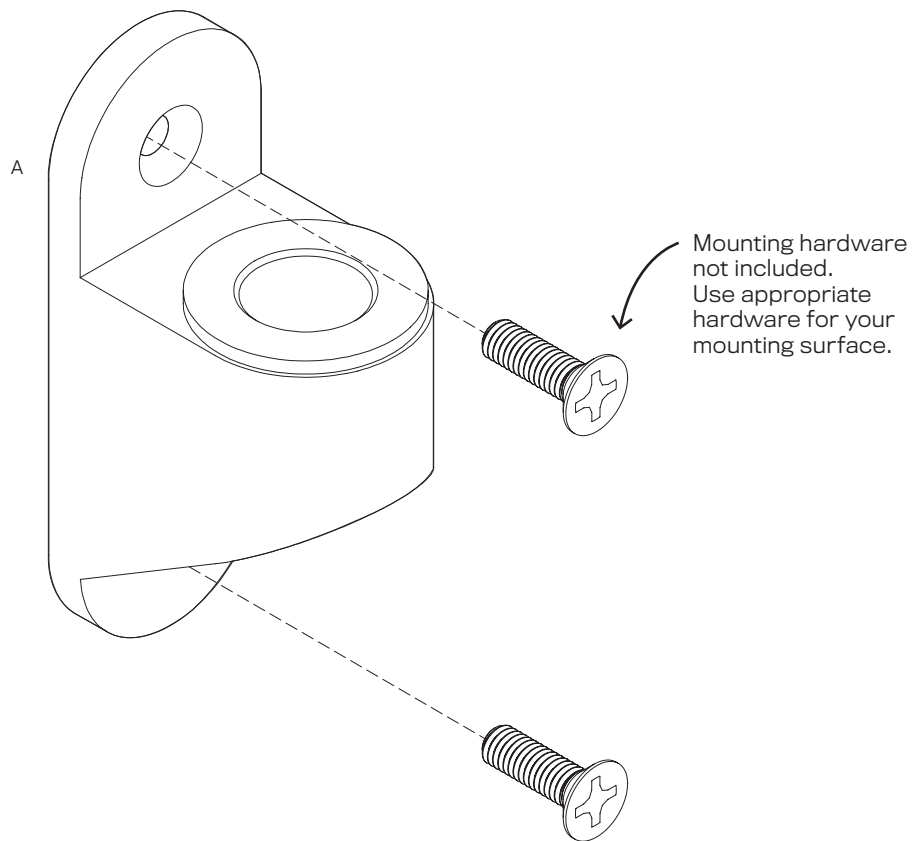
T25 L-Key 1x
714899

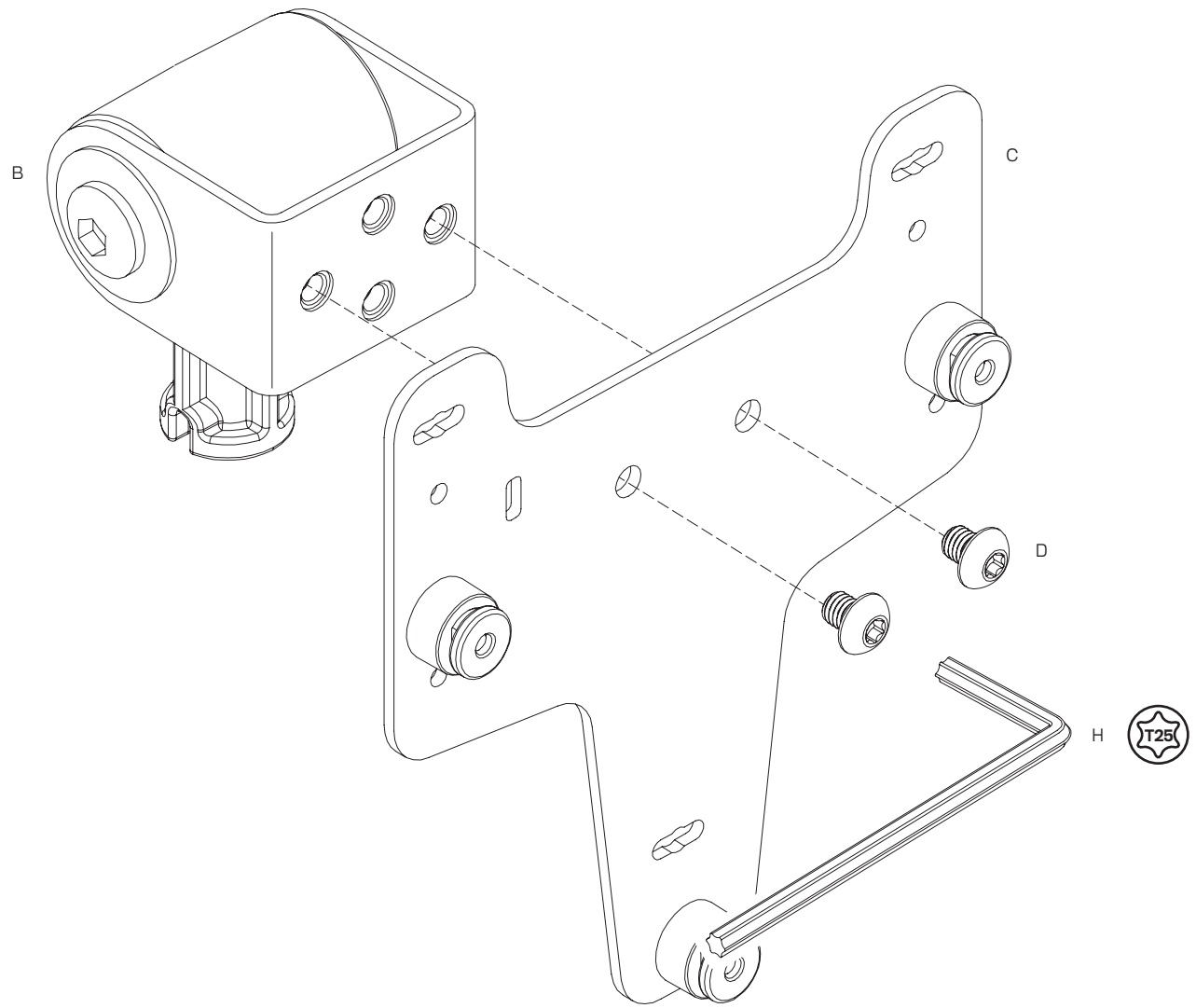
I

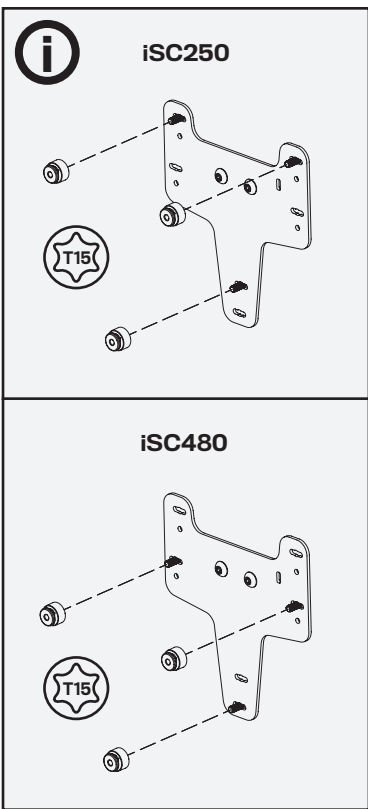


7/32" Allen Wrench 2x
701127

1

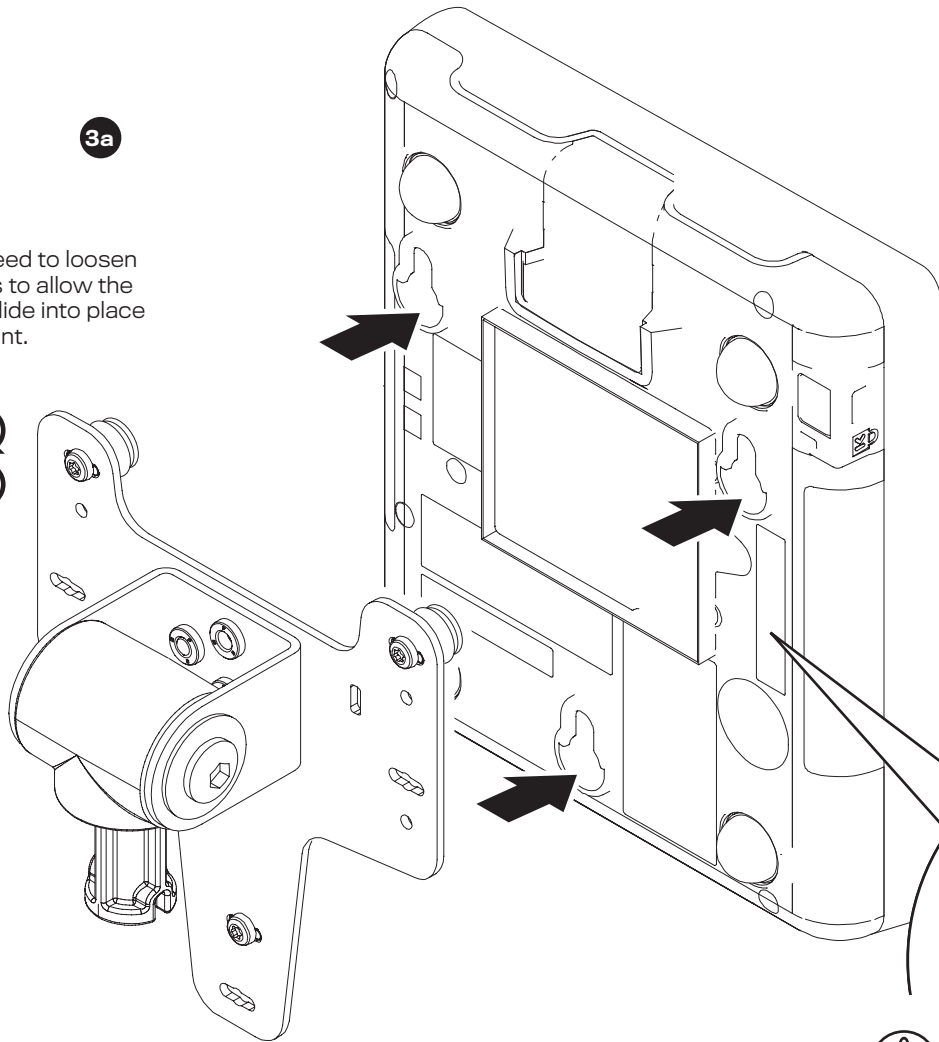






3a

You may need to loosen the screws to allow the device to slide into place on the mount.



3b

