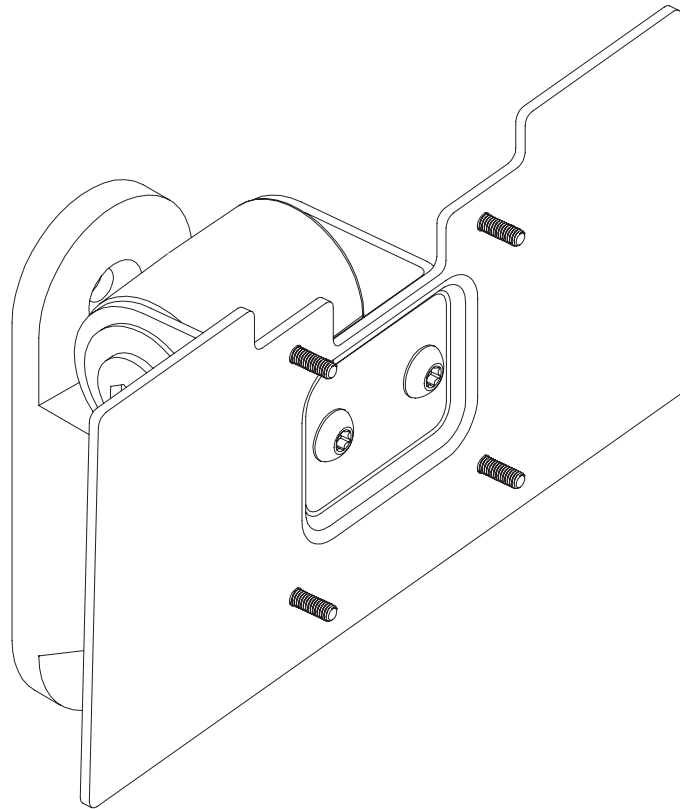


PTS-WM-8500I

Installation Instructions

Innovative Ergonomic Solutions companies



Innovative Ergonomic Solutions
800 524 2744
customerservice@team-ies.com
team-ies.com

PTS-WM-8500I

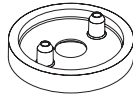
Parts List

A



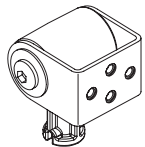
Wall Mount 1x
RP406795

F



Dog Washer 1x
105189

B



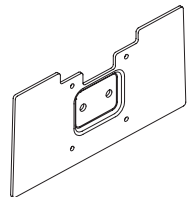
Mini Tilter 1x
416267

G



10-32 x 3/8" FPhMS w/Lock Patch 1x
705198

C



Equinox 8500I Adapter Plate 1x
114473

H



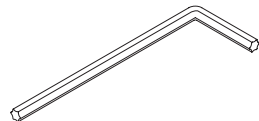
T10 L-Key 1x
714898

D



Tilt Bracket Screw 2x
113900

I



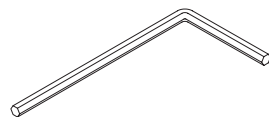
T25 L-Key 1x
714899

E



M3-0.5 x 10mm Button Head Screw 4x
714485

J



7/32" Allen Wrench 2x
701127

1

