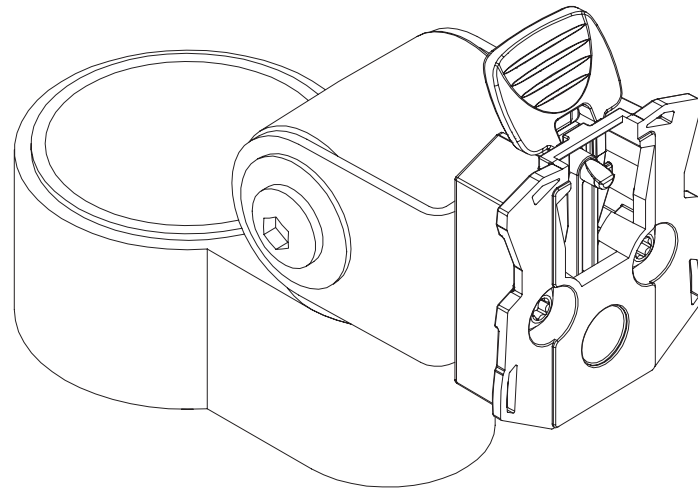


MNPA10-LANE-WK

Installation Instructions

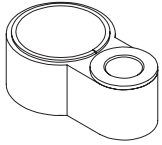
Innovative Ergonomic Solutions companies



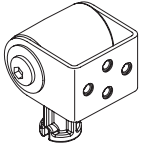
MNPA10-LANE-WK

Parts List

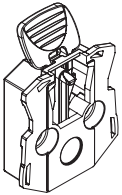
A Mount Yoke 1x
414351



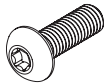
B Mini Tilter 1x
416267



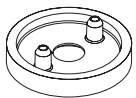
C Lane WK Adapter Plate 1x



D Lane Adapter Screw 2x
714305



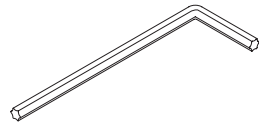
E Dog Washer 1x
105189



F 10-32 x 3/8" FPhMS w/Lock Patch 1x
705198



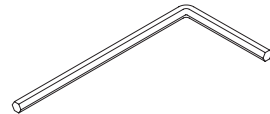
G T25 L-Key 1x
714899



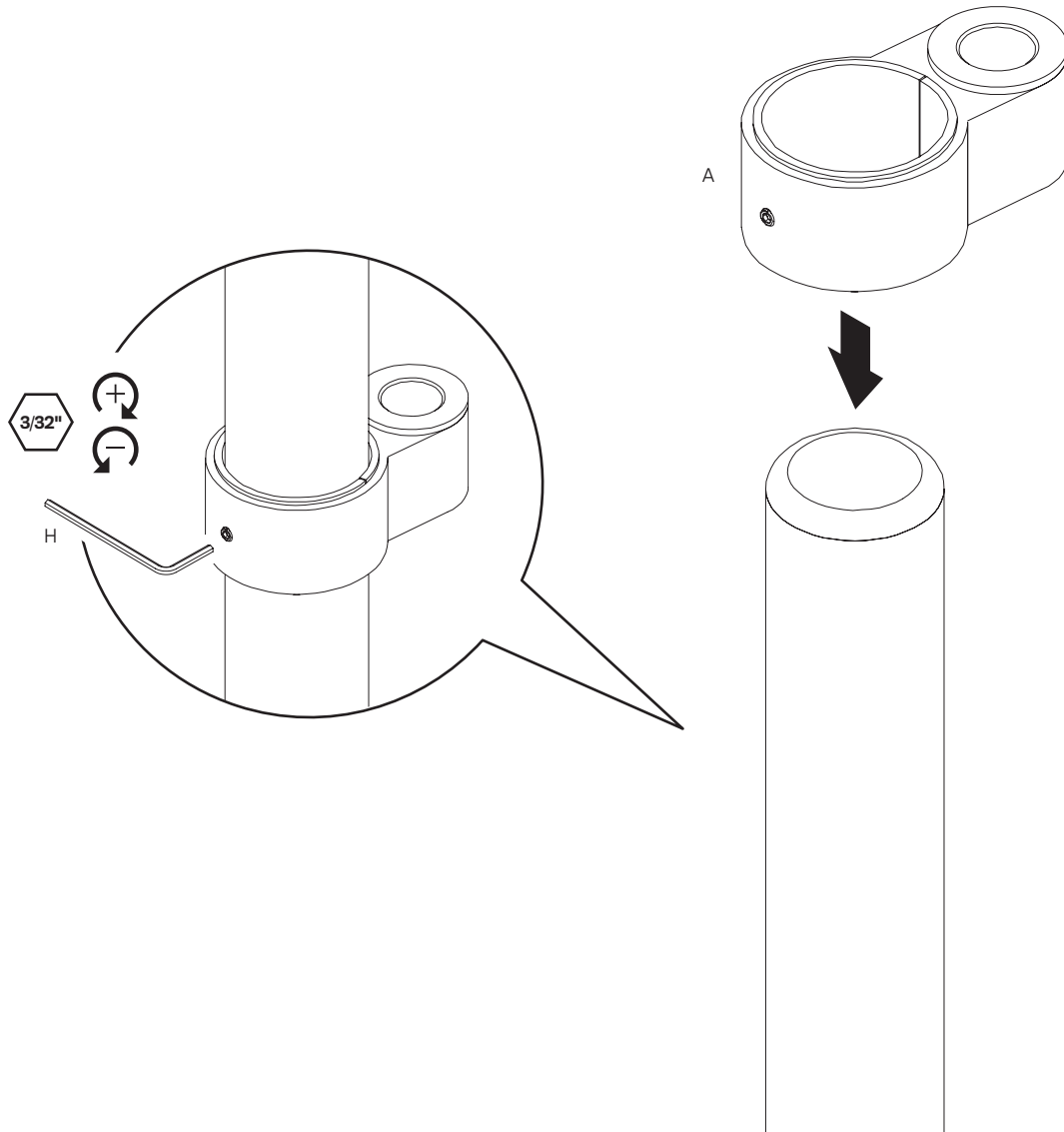
H 3/32" Allen Wrench 1x
700146

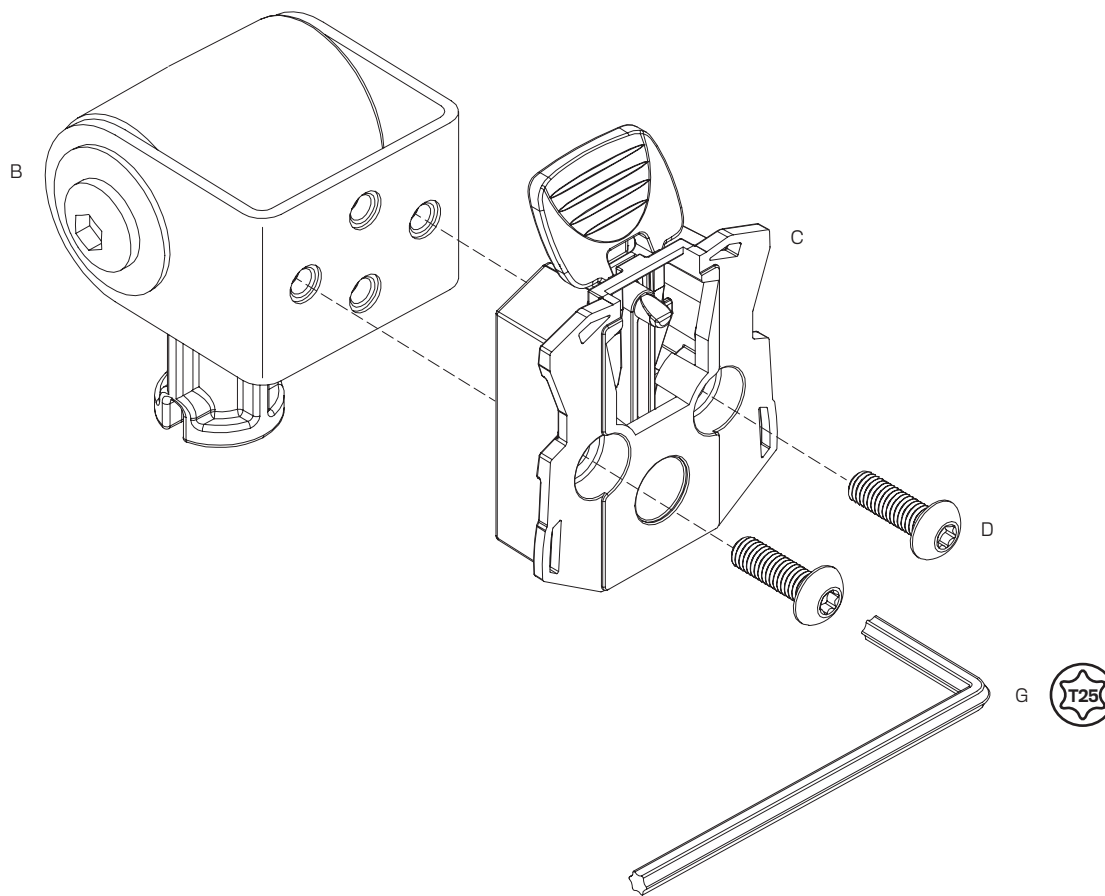


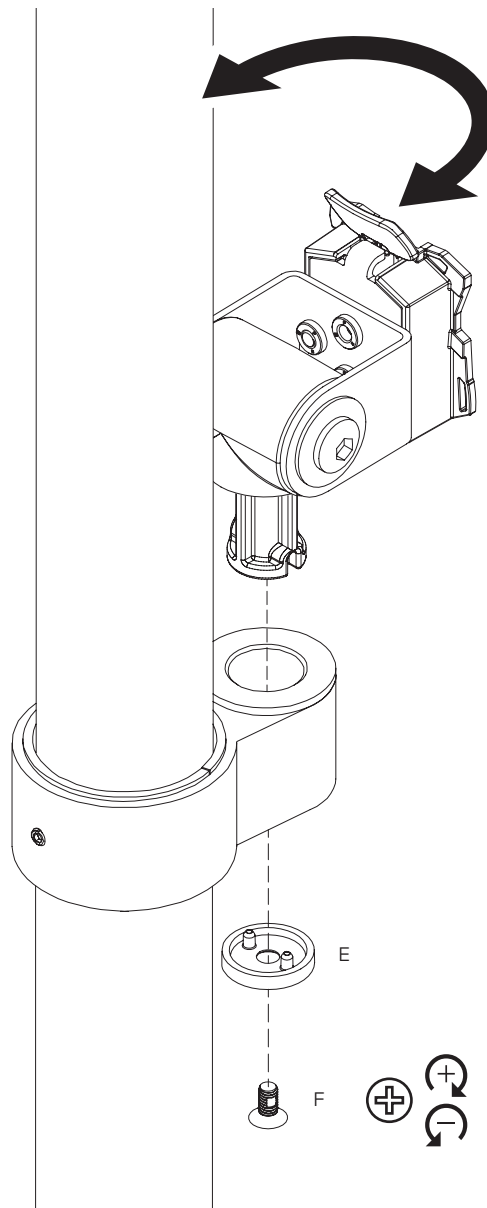
I 7/32" Allen Wrench 2x
701127



1







4

4a Push the adapter key down.

4b With the key pushed down, pull the key back.

4c With the key pushed back, slide payment terminal onto mount.

Once the payment terminal is successfully attached to the mount, return the key to the original position.

