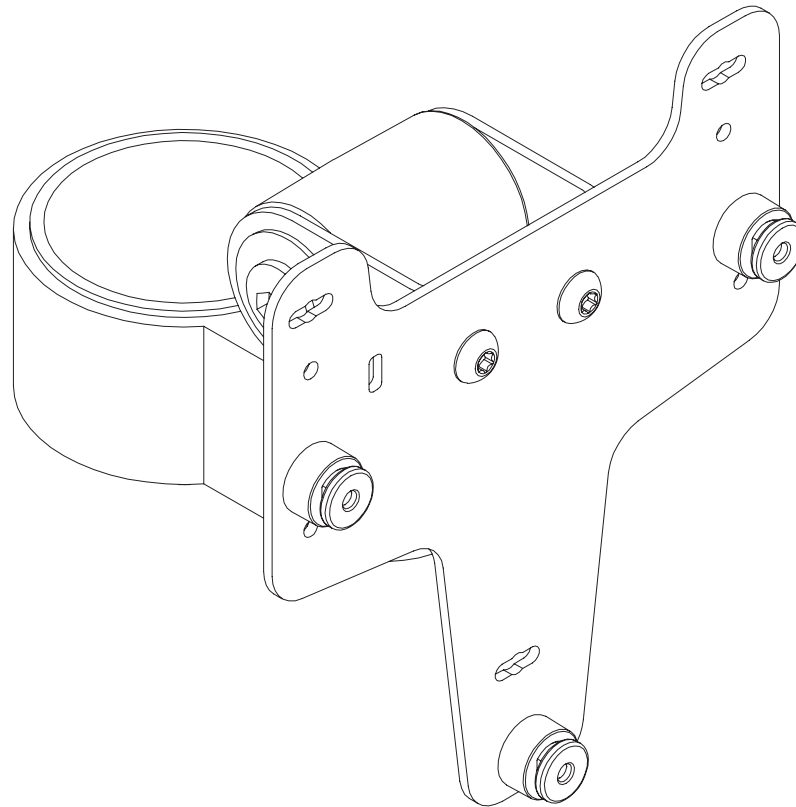


MNPA10-ISC250-ISC480

Installation Instructions

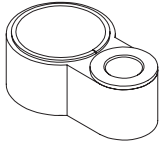
Innovative Ergonomic Solutions companies



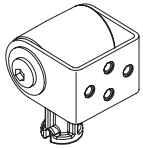
MNPA10-ISC250-ISC480

Parts List

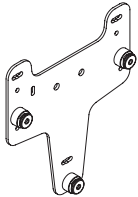
A Mount Yoke 1x
414351



B Mini Tilter 1x
416267



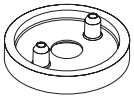
C Ingenico iSC250/480 Adapter Plate 1x
113808



D Tilt Bracket Screw 2x
113900



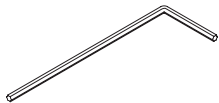
E Dog Washer 1x
105189



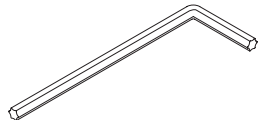
F 10-32 x 3/8" FPhMS w/Lock Patch 1x
705198



G T15 L-Key 1x
714904



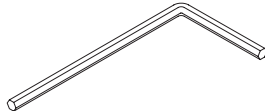
H T25 L-Key 1x
714899



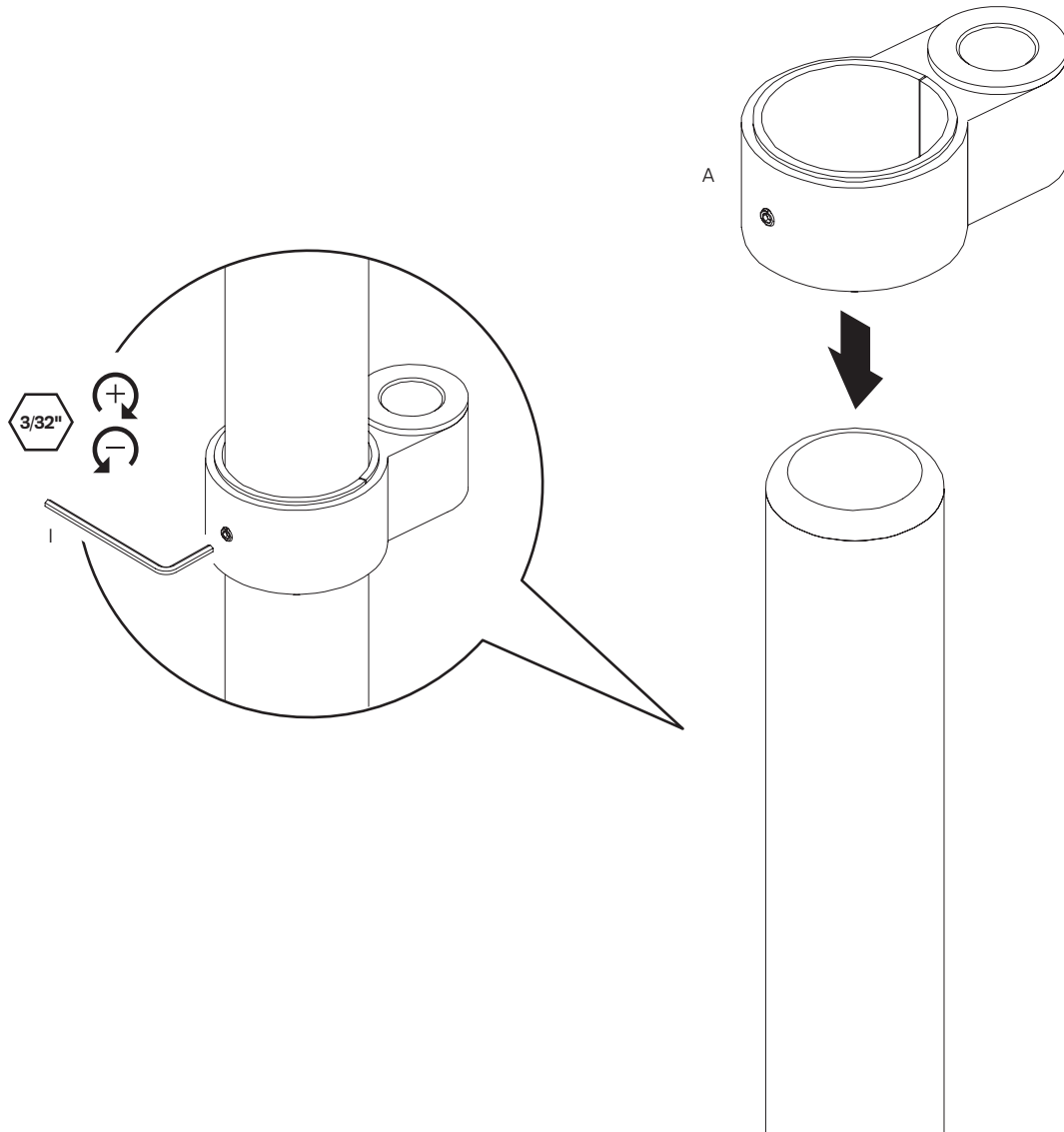
I 3/32" Allen Wrench 1x
700146

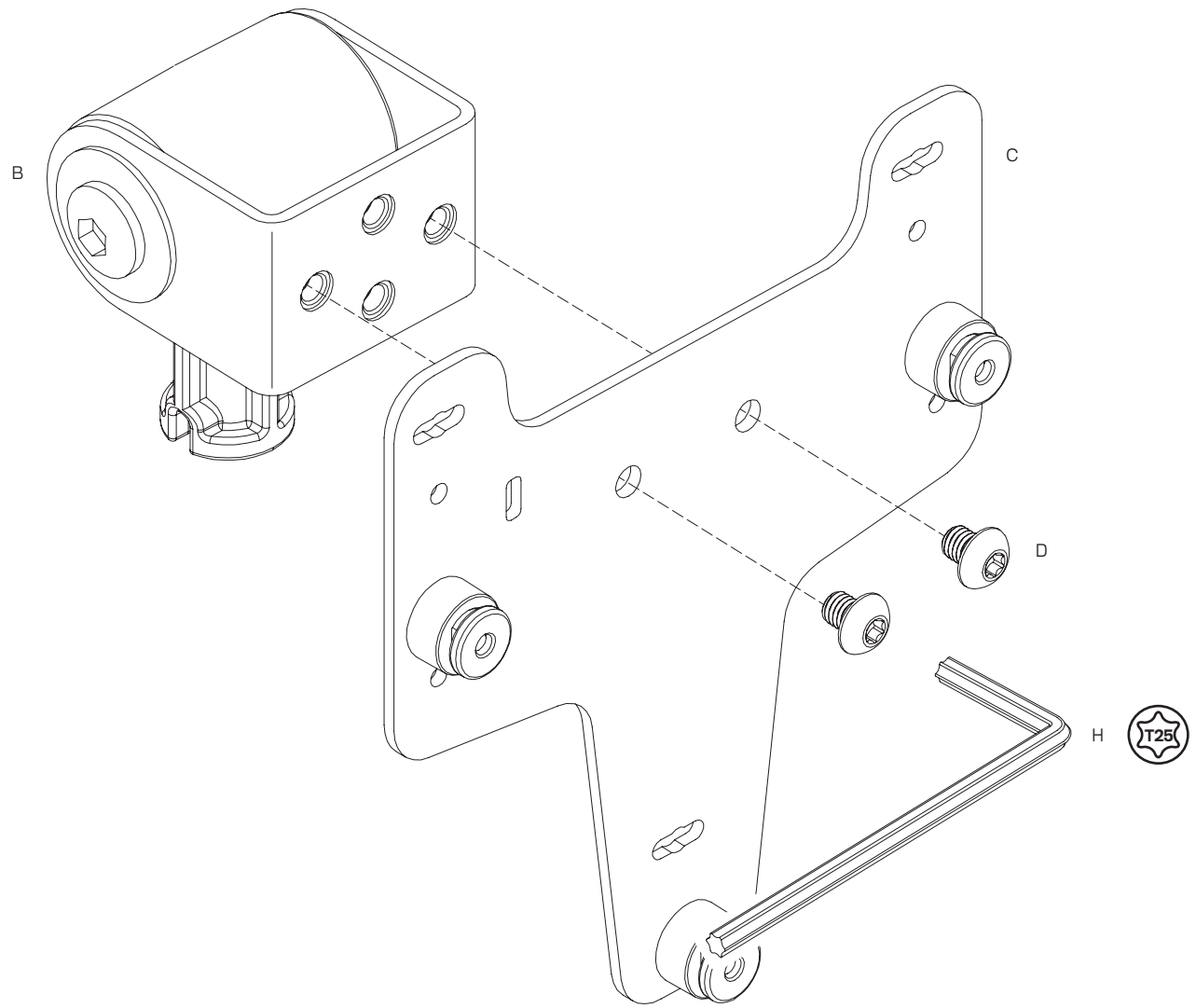


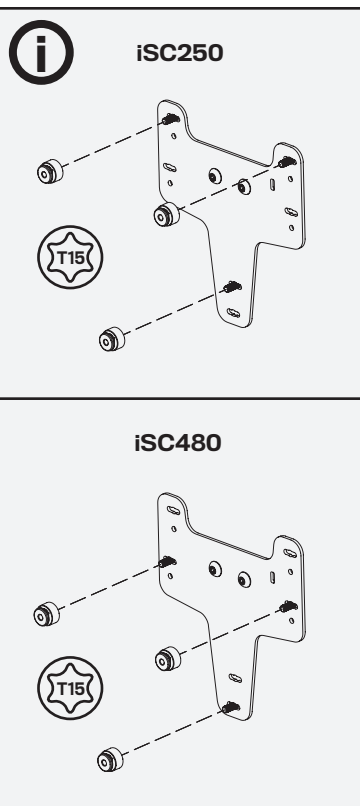
J 7/32" Allen Wrench 2x
701127



1

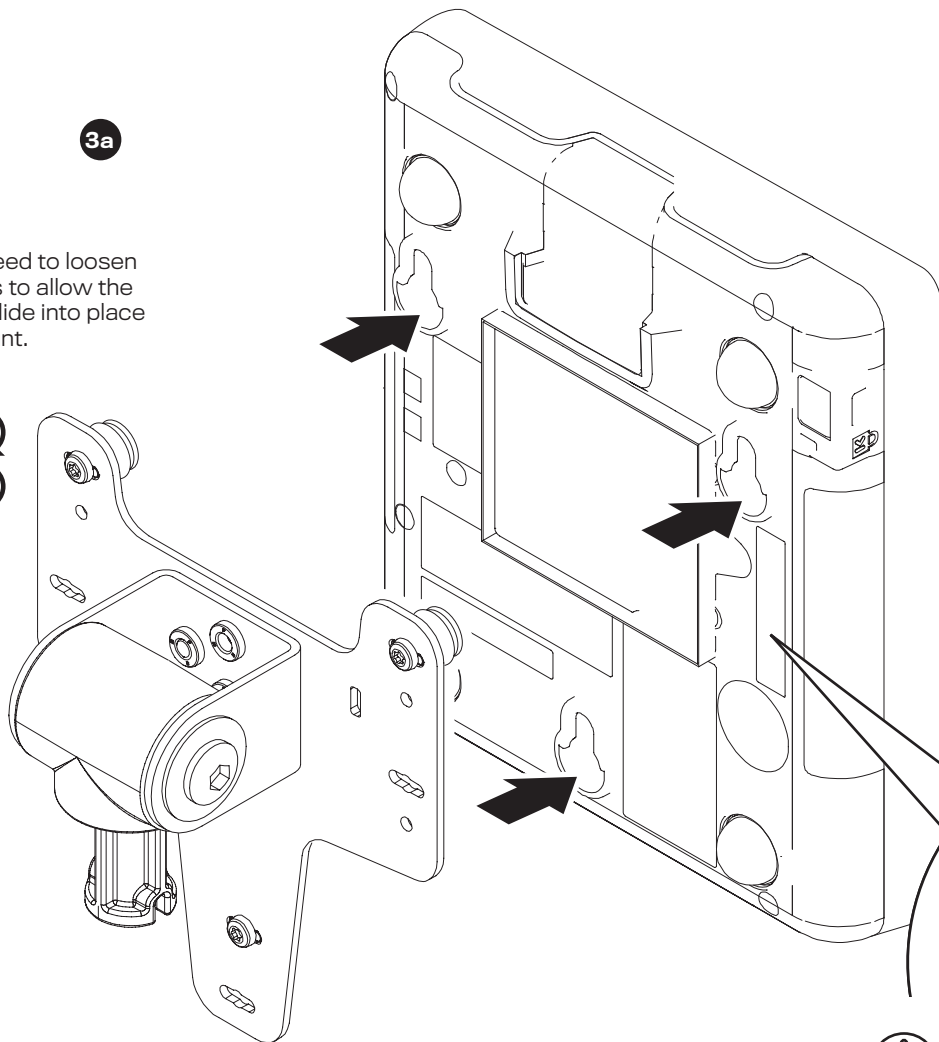






3a

You may need to loosen the screws to allow the device to slide into place on the mount.



3b

