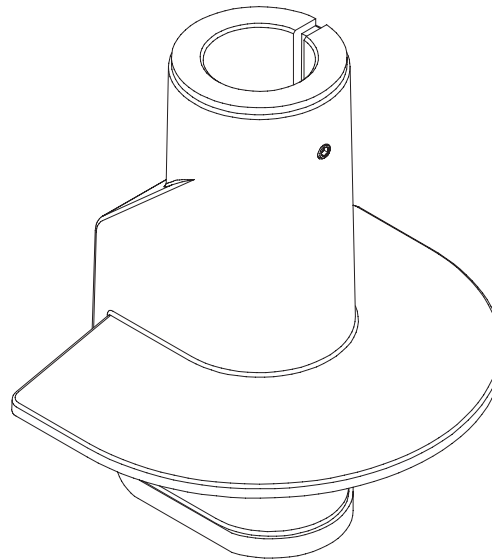


Innovative Ergonomic Solutions companies



**Innovative Ergonomic Solutions**  
800 524 2744  
customerservice@team-ies.com  
team-ies.com

**HAT Collective**  
408 437 8770  
cs@hatcollective.com  
hatcollective.com

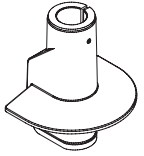
# 8524

## Parts List

---

A

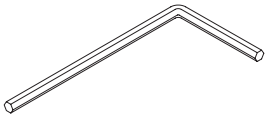
Top Down Mount 1x  
416092



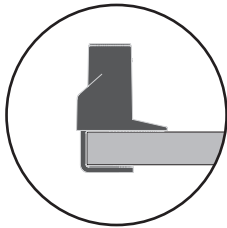
---

B

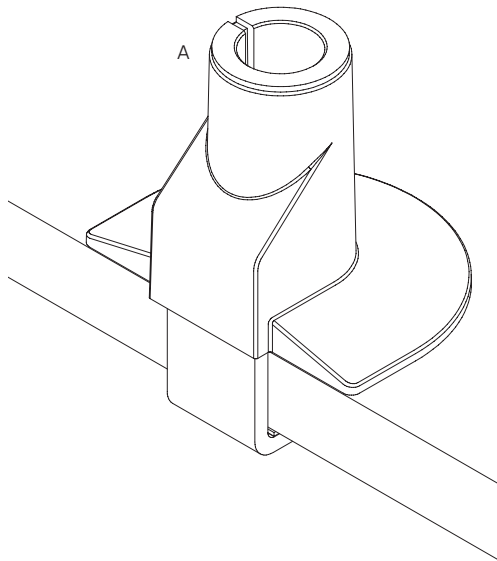
7/32" Allen Wrench 1x  
701127



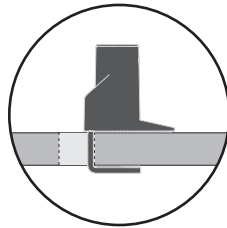
1



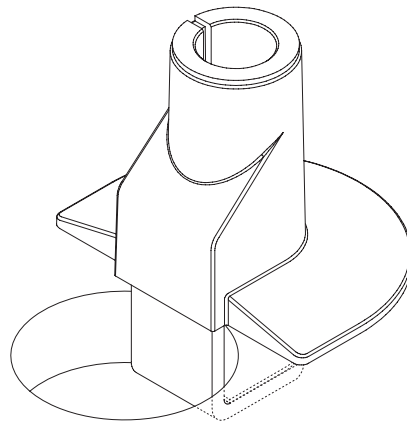
Desk thickness  
up to 1.5" (3.8 cm)



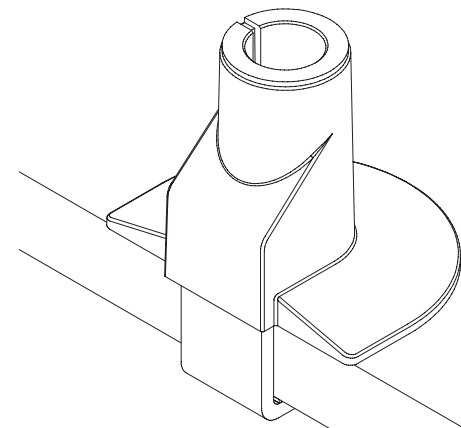
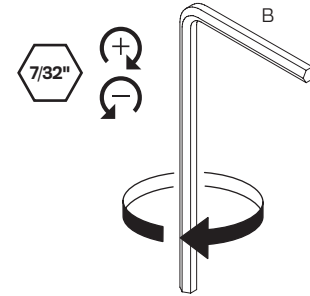
OR



Desk thickness  
up to 1.5" (3.8 cm)



2



**i** If the monitor arm or pole does not easily fit into the mount, remove the bushing from the mount and place it on the monitor arm or pole and press firmly back into the mount.

