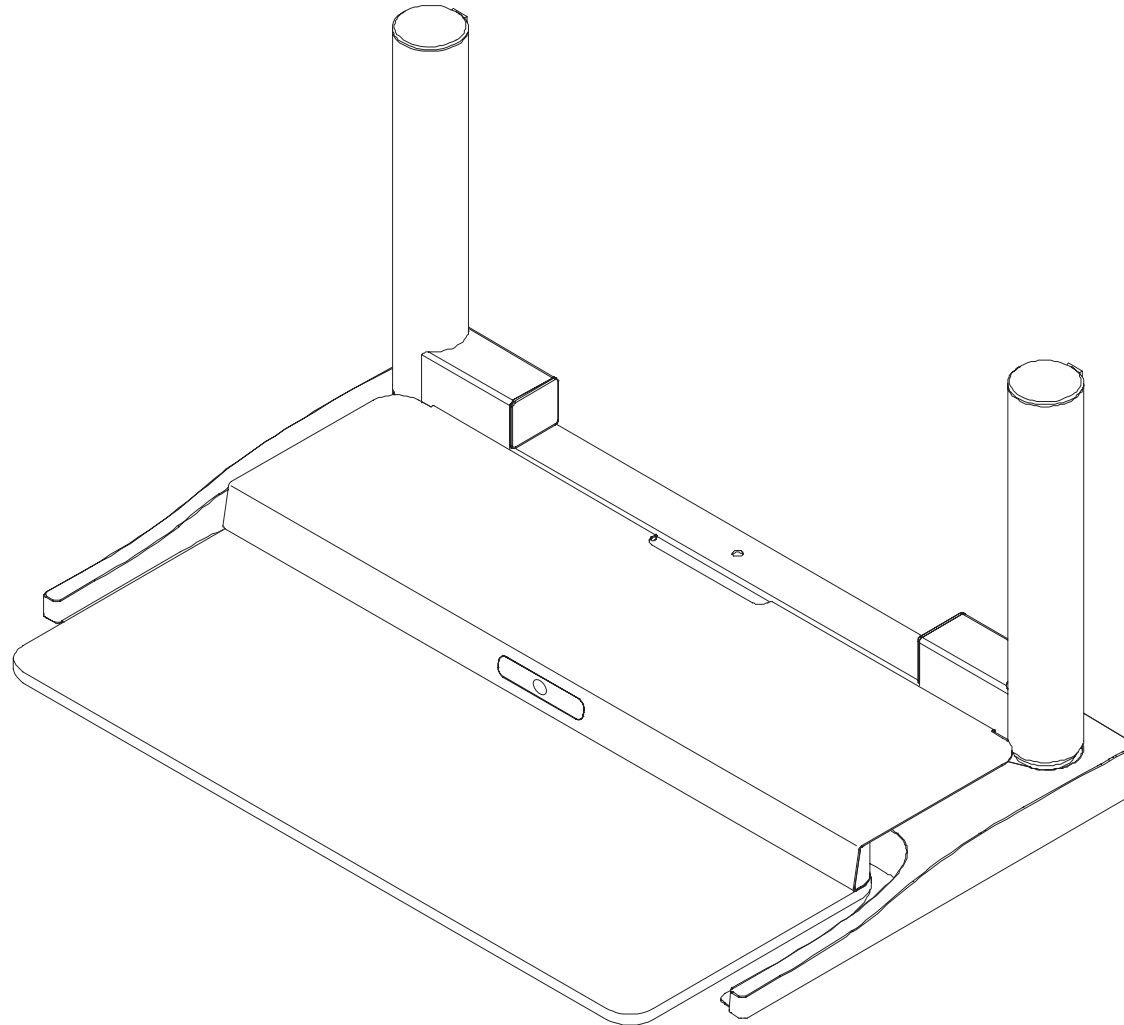


WINSTON E-DESK

Installation Instructions



HAT Collective
408 437 8770
cs@hatcollective.com
hatcollective.com

Innovative Ergonomic Solutions
800 524 2744
customerservice@team-ies.com
team-ies.com

Caution / Information



- Make sure no obstacles are in the desk's path. Make sure the desktop is not touching any walls. Make sure all cords are appropriate length to accommodate the change in height.
- Keep children away from electric height-adjustable desks, control units and handsets. There is a risk of injury and electric shock.
- Keep all electrical components away from liquids.
- Do not sit or stand on the desk frame.
- Do not crawl or lie under the desk frame.
- Do not place ANY objects under the desk.
- Do not open any of the components - the Legs, Control Box, or Switch. There is a danger of electric shock.



This product is designed with a duty cycle of 10% (2 min. on, 18 min. off)

In the event of a power outage or if the power cord is unplugged, a manual reset may be necessary - see USE section.

Use / Liability

This height adjustable desk has electric motors and is designed for use in dry work areas only.

The desk height is adjustable so that it can be positioned at the most ergonomically suitable height.

Any other use is at user's risk.

Under no circumstances does the manufacturer accept warranty claims or liability claims for damages caused from improper use or handling of the desk frame.



CAUTION

Make sure no obstacles are in the desk's path. Make sure the desktop is not touching any walls. Make sure all cords are appropriate length to accommodate the change in height.

IMPORTANT: You must RESET the desk prior to use.

RESET PROCEDURE: Press and hold the DOWN button on the Handset until the desk reaches its lowest height. Release the DOWN button. Press and hold the DOWN button again until the LED display reads "RST" or about 10 seconds on non-LED handset models. Release the DOWN button. Press and hold the DOWN button again until the desk lowers a little bit more slightly rises and stops. Release the DOWN button. Your desk is now ready to use.

The desk base can be adjusted by pressing and holding either the UP or DOWN button until the desired height is reached.

To program up to four presets (on some models): Use the up/down buttons to find a desired height then press "M" followed by a number 1 - 4.

CAUTION: Once a preset button is pushed, the desk will move to the programmed height (see caution box above).

Troubleshooting

If your desk is not functioning properly it may need to be reset. Follow the RESET procedure outlined in the USE section.

If your desk has a handset with an LED readout and it displays "RST" (reset), perform the reset procedure outlined in the USE section.

If the LED readout displays an error message, ("Er1" - "Er13") confirm that all wired connections are secure (legs to cables, cables to control box). Then perform the reset procedure outlined in the USE section.

If the error message persists after the reset procedure, contact your seller.

If the height between the legs exceeds 1.5 inches, stop the reset procedure & contact your seller.

If the handset displays "HOT", let the base cool down for 20 minutes.

Programming

Press the DOWN button on the Handset until the base reaches its lowest position. Press and hold the DOWN button again until the LED display reads "RST".

Press and hold the 1 button (about 5 seconds while the LED flashes "RST" and then switches to either:



10.1 = One-Touch

10.2 = Constant-Touch

Release the 1 button. Press the 1 button again until the desired setting is reached. Once the chosen setting is displayed, release the button and wait about 5 seconds for the display to return to "RST".

Finish the reset process by pressing and holding the DOWN button until the desk lowers a little bit more, slightly rises and stops. Release the button. The new program setting is saved and your desk is now ready to use.

Setting the LED Retracted Height

Press the DOWN button on the Handset until the base reaches its lowest position. Measure the distance from floor to the top surface of the desktop. If the number on the LED display does NOT match your measurement, follow these steps:

Press and hold the DOWN button until the LED display reads "RST".



Press and hold the "M" button (about 5 seconds) until the LED displays the flashing height. (If the display returns to "RST" before the next step is taken, repeat this step.) Use the UP /DOWN buttons to change the value of the starting height so that it matches your measurement. Wait about 5 seconds and the display will return to "RST."

Finish the reset process by pressing and holding the DOWN button again until the desk lowers a little bit more, slightly rises and stops. Release the button. The new starting height value is saved and your desk is now ready to use.

Note: the LED display has a ± 0.1 tolerance.

Handset Lock

To lock the handset:

Press and hold the "M" button (about 8 seconds) until the LED display switches to "S-" and then to "LOC" Release the button.

To unlock the handset:

Press and hold the "M" button (about 8 seconds) until the LED switches from "LOC" to the height display. Release the button.

Setting the Upper & Lower Limits

This base is designed to go to its minimum and maximum heights, allowing for the widest possible range. If you prefer to change the settings to a more narrow range, follow these steps:

Make sure the power is ON and a number reads in the LED display (if no number appears, please follow the Reset procedure described in the USE section).

To Set the Upper-Limit Position:

Use the UP /DOWN buttons to move the base to the desired maximum-height position. Press the "M" button and release. Press the UP button and release. The LED display will flash "S-". Press and hold the "M" button (about 2 seconds) until the LED display changes to "999". The display will automatically return to the selected height. The new upper limit is now set.

To Set the Lower-Limit Position:

Use the UP /DOWN buttons to move the base to the desired minimum-height position. Press the "M" button and release. Press the DOWN button and release. The LED display will flash "S-". Press and hold the "M" button (about 2 seconds) until the LED display changes to "000". The display will automatically return to the selected height. The new lower limit is now set.

To Remove the Upper/Lower Limit Positions:

Press and hold the "M" button until the LED display flashes "S-" and then release it. Within 5 seconds, press the "M" button again and hold for 2 seconds. The LED display will change to "555" and then automatically return to the height display. The upper and lower limits are now removed.



CAUTION

A RESET procedure requires the desk base to full retract (beyond any lower limit set).

Please ensure that you have the proper clearance below the desk base.

After the upper and lower limits are set, the previous memory positions (1, 2, 3, 4) may be outside the new range of movement. If so, simply reset the memory positions.

If you attempt to revise a previously set upper or lower limit and it is outside of the existing range, you will need to remove the previously set upper/lower limits first.

Changing Inches to Centimeters

Press the DOWN button on the Handset until the base reaches its lowest position. Press and hold the DOWN button again until the LED display reads "RST".



Press and hold the 2 button (about 5 seconds) while the LED flashes "RST" and then switches to either:

10.3 = cm
10.4 = inches

Release the 2 button. Press and hold the 2 button again until the desired setting is reached. Once the chosen setting is displayed, release the button and wait about 5 seconds for the display to return to "RST".

Finish the reset process by pressing and holding the DOWN button until the desk lowers a little bit more, slightly rises and stops. Release the button. The new measurement setting is saved and your desk is now ready to use.

Changing Anti-Collision Sensitivity

Press the DOWN button on the Handset until the base reaches its lowest position. Press and hold the DOWN button again until the LED display reads "RST".



Press and hold the UP button (about 5 seconds) while the LED flashes "RST" and then switches to either:

10.5 = 10 kg pressure (most sensitive)
10.6 = 15 kg pressure (middle setting)
10.7 = 20 kg pressure (least sensitive)

Release the UP button. Press and hold the UP button again until the desired setting is reached. Once the chosen setting is displayed, release the button and wait about 5 seconds for the display to return to "RST".

Finish the reset process by pressing and holding the DOWN button until the desk lowers a little bit more, slightly rises and stops. Release the button. The new anti-collision sensitivity setting is saved and your desk is now ready to use.

WINSTON E-DESK

Parts List

A



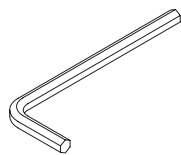
M6 x 10mm 4x
715822

B



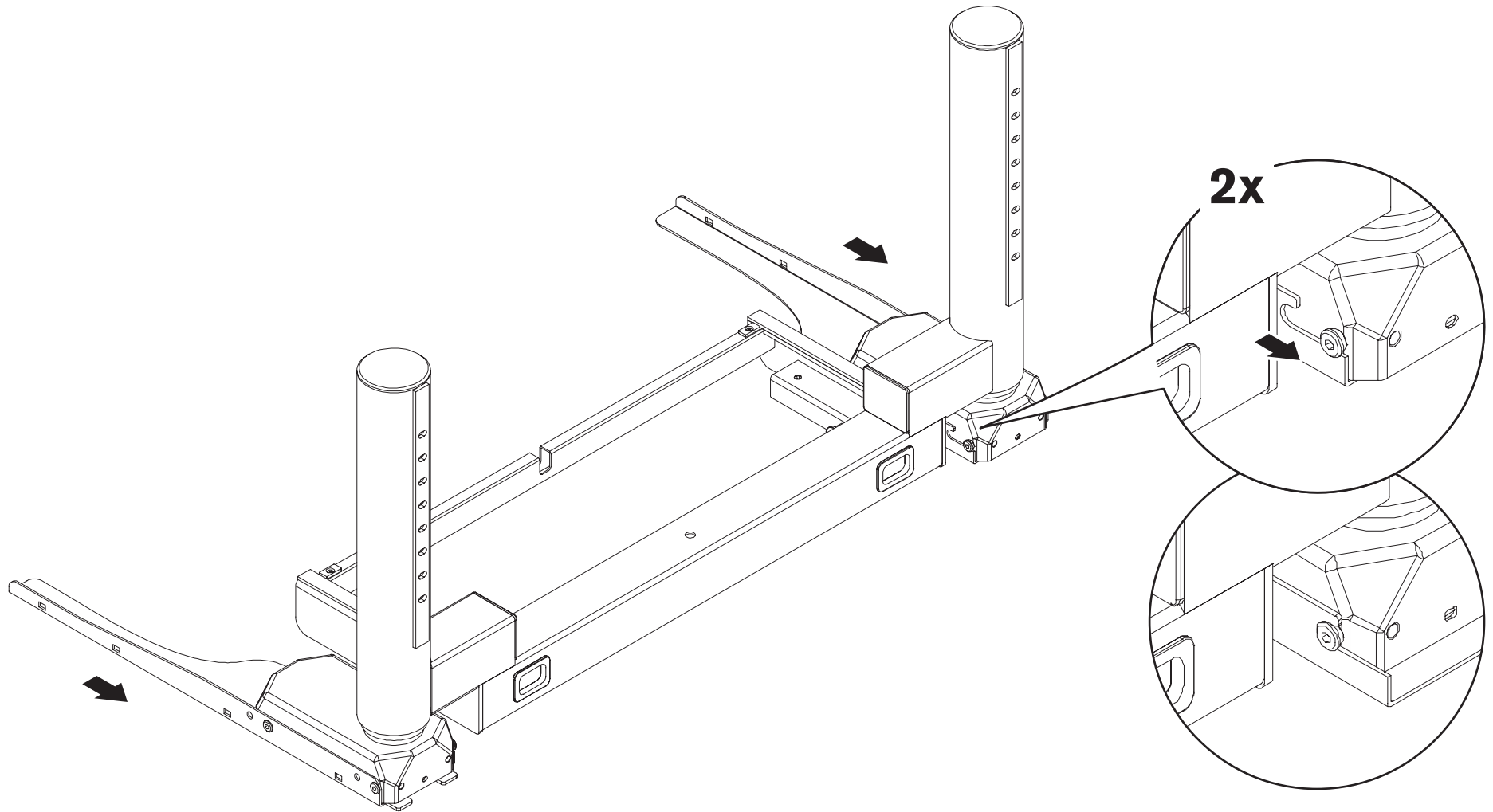
M8 x 10mm 2x
715825

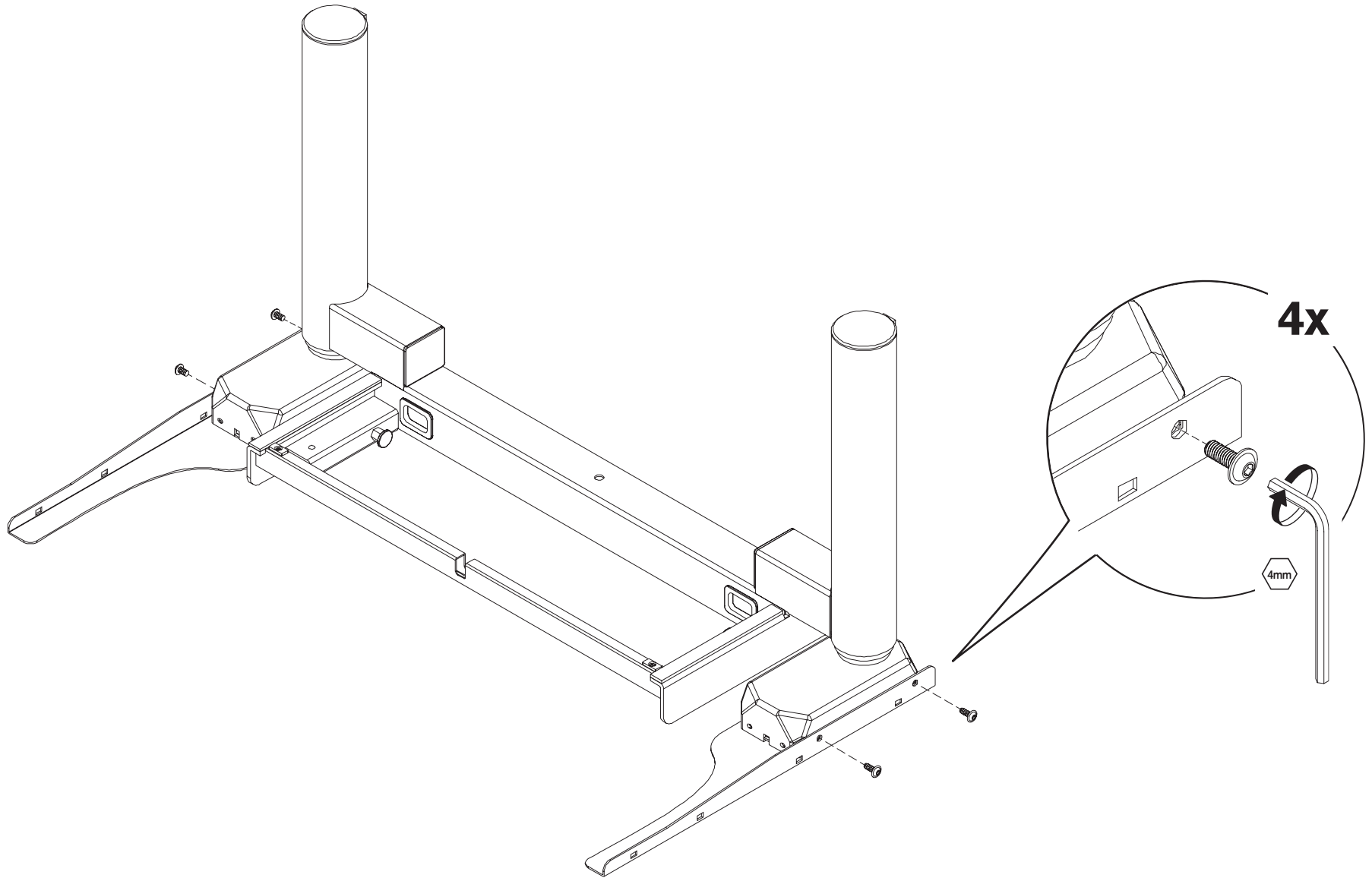
C

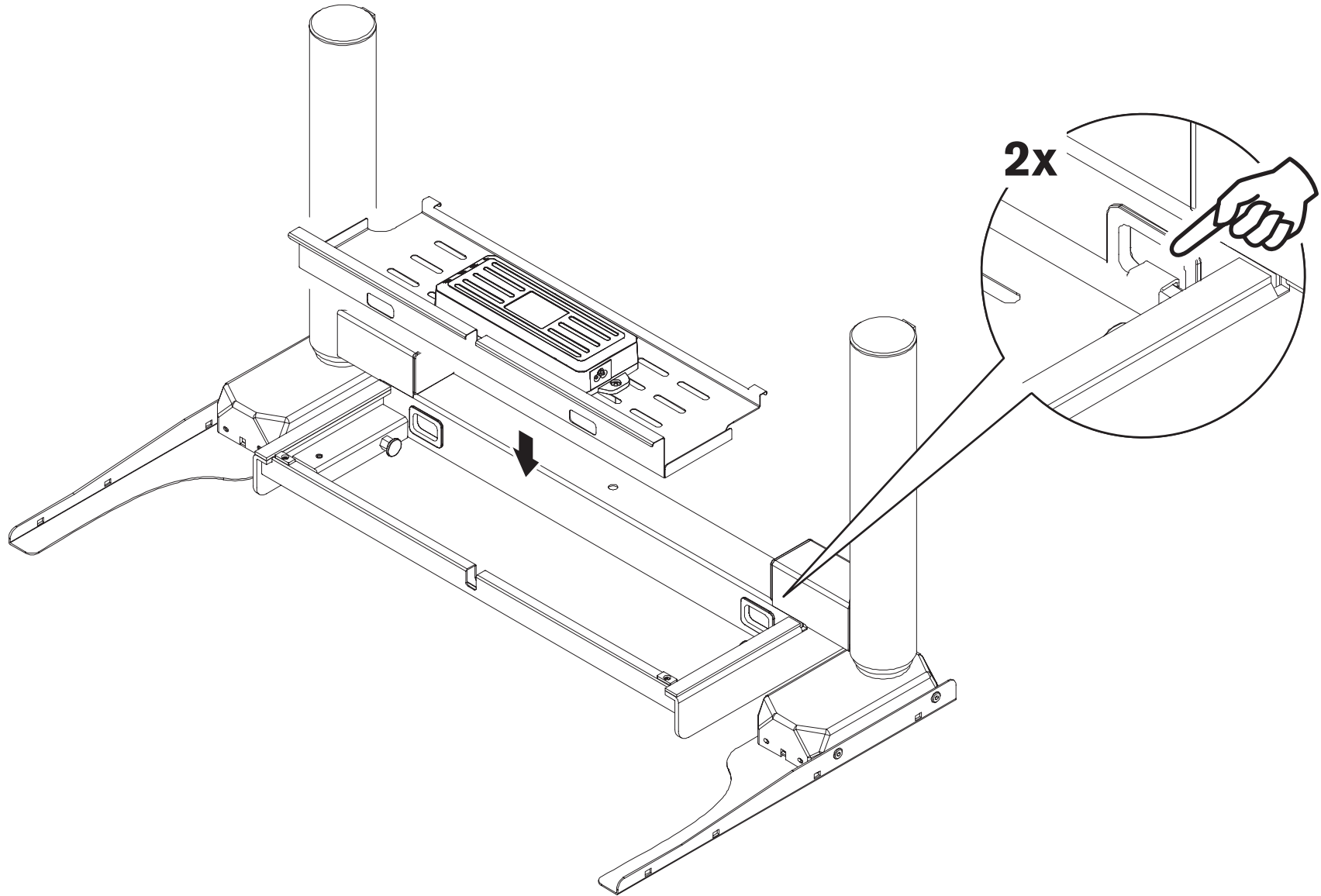


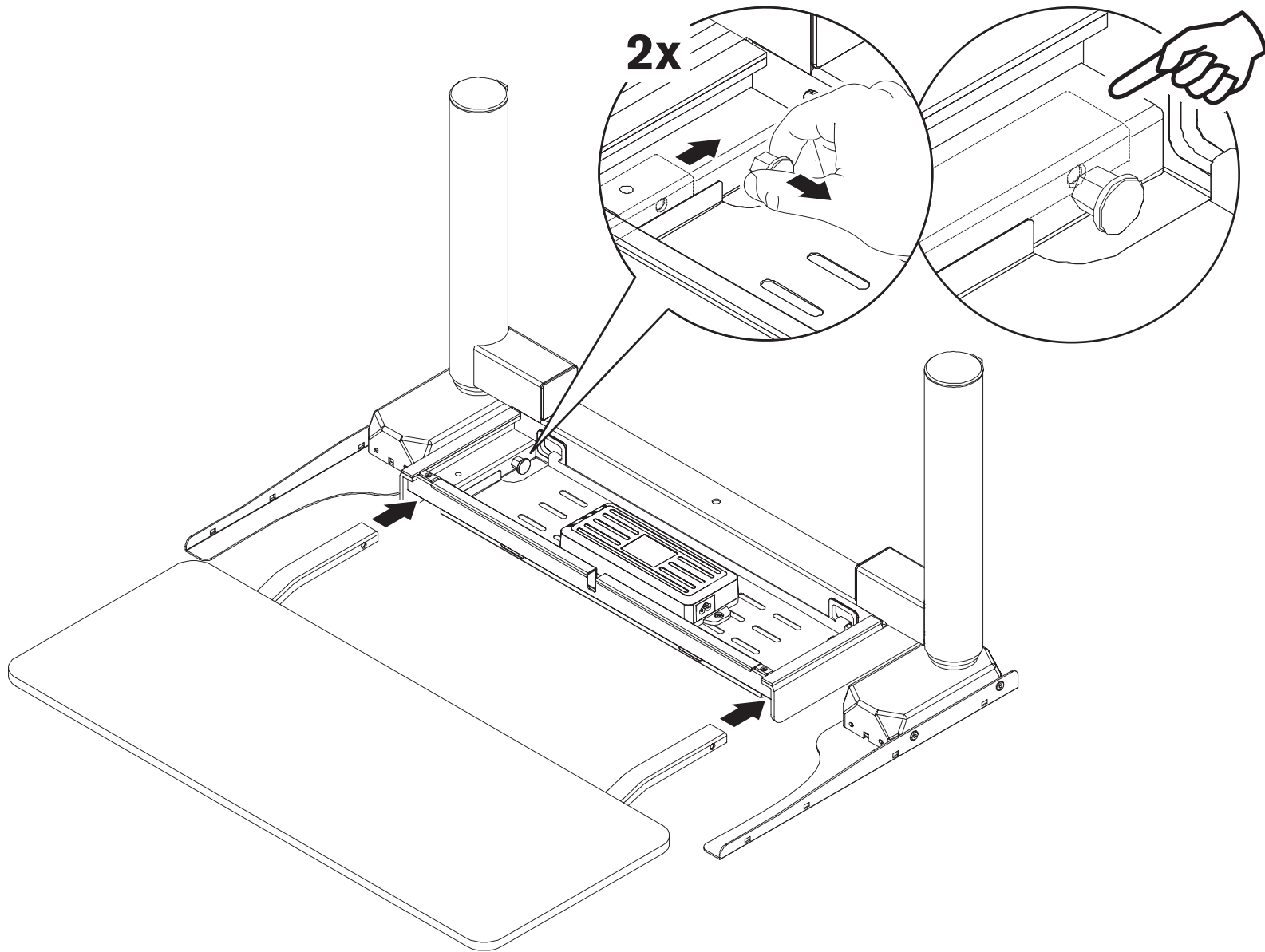
4mm Hex Key 1x
715219

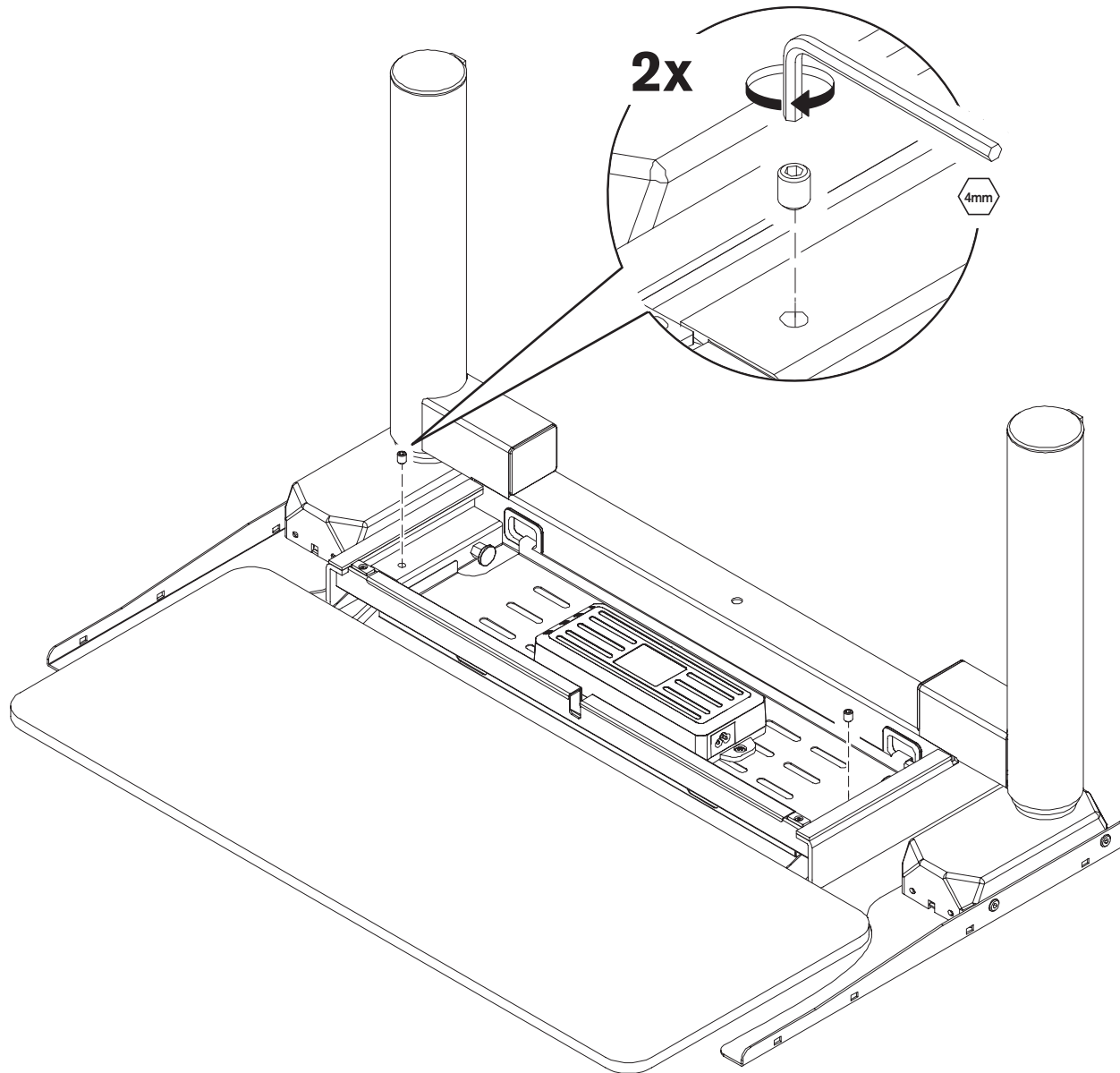
1

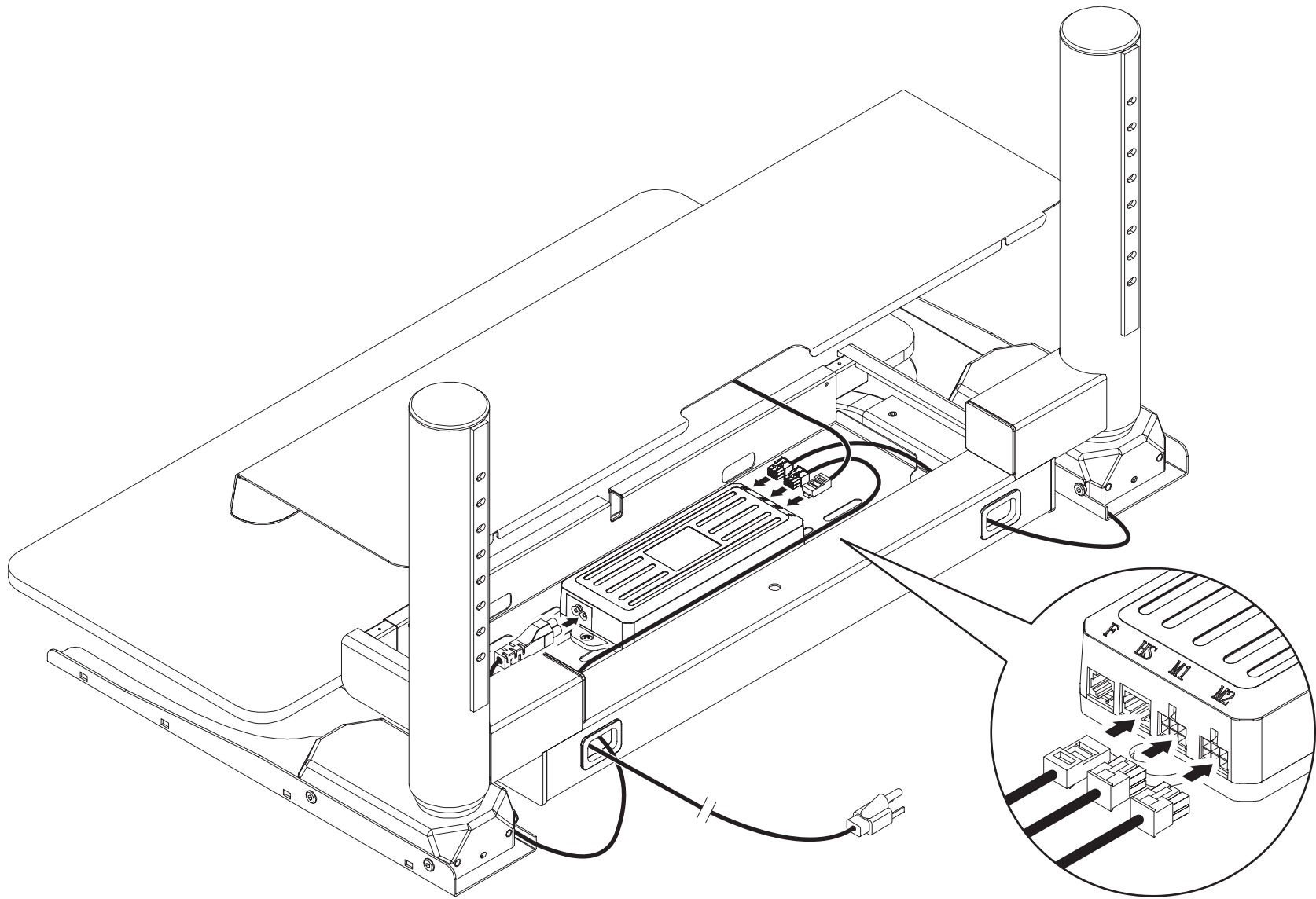




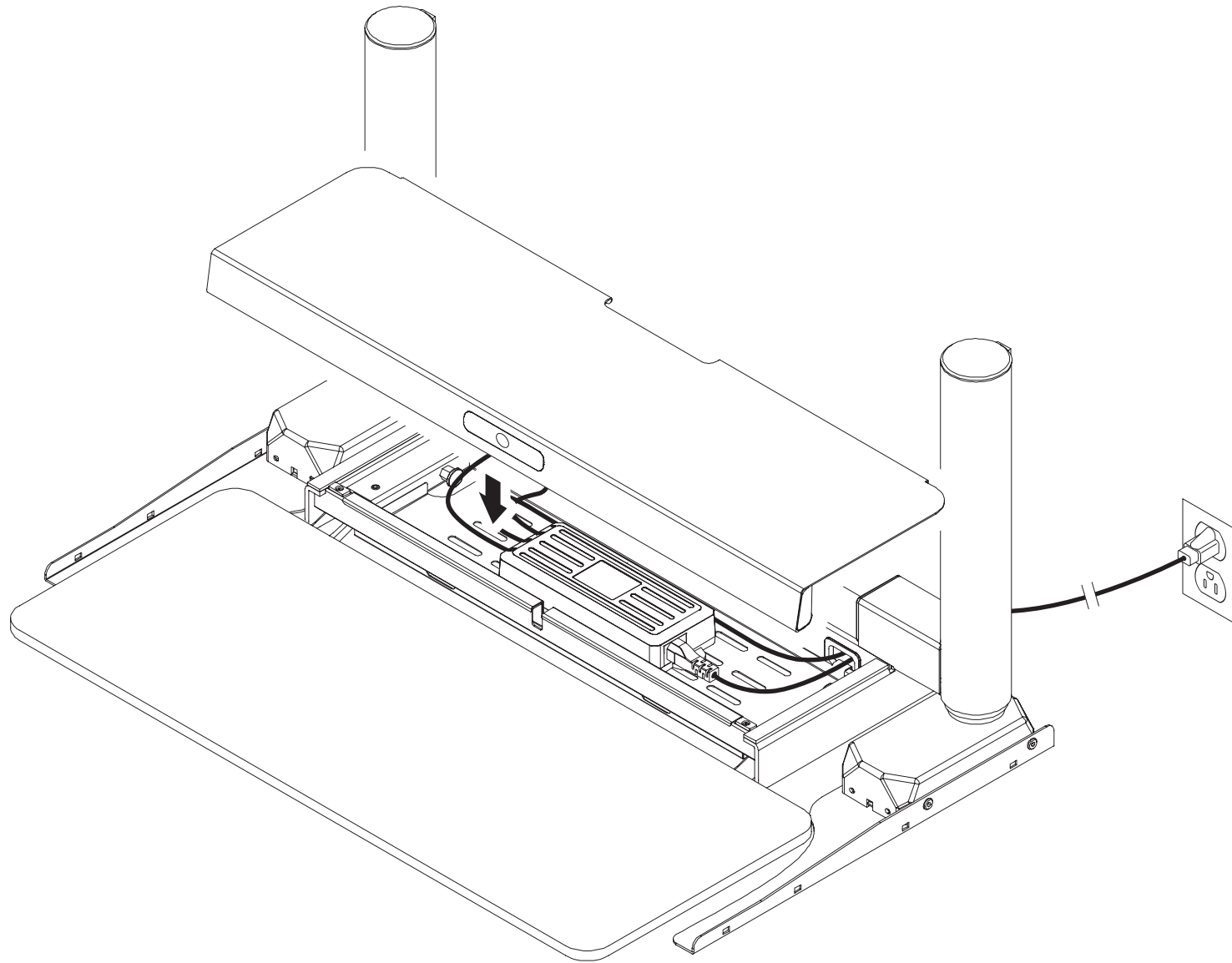








7



Run reset cycle before first use (see "Use" section, page 2).

Raise the desk all the way up. Make sure the length of cable is sufficient to do so.

