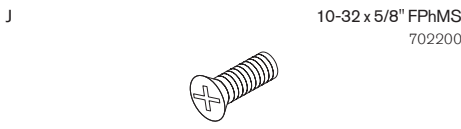
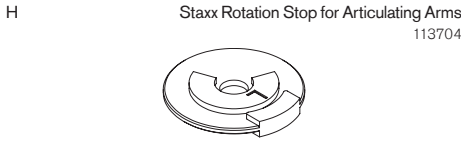
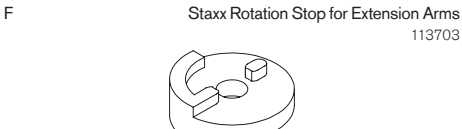
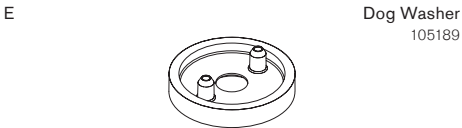
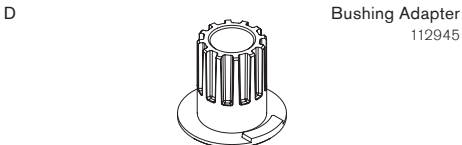
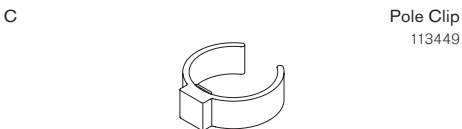
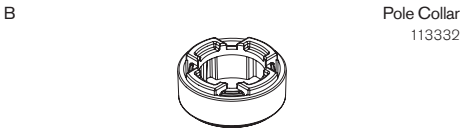


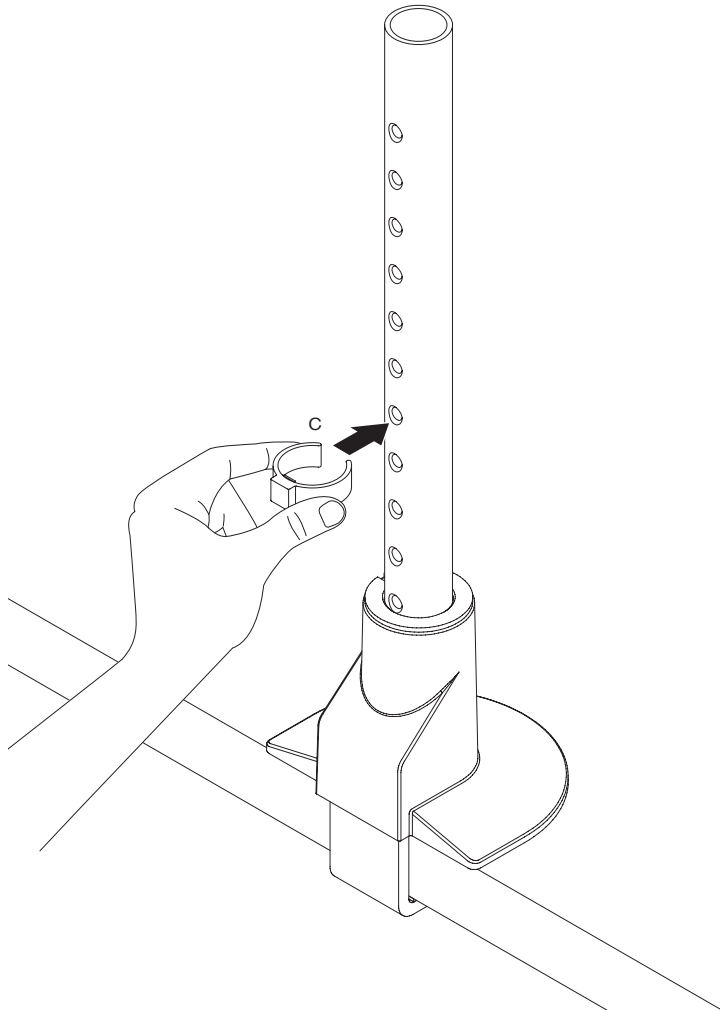
**STX-NM**

**HAT Collective**  
408 437 8770  
cs@hatcollective.com  
hatcollective.com

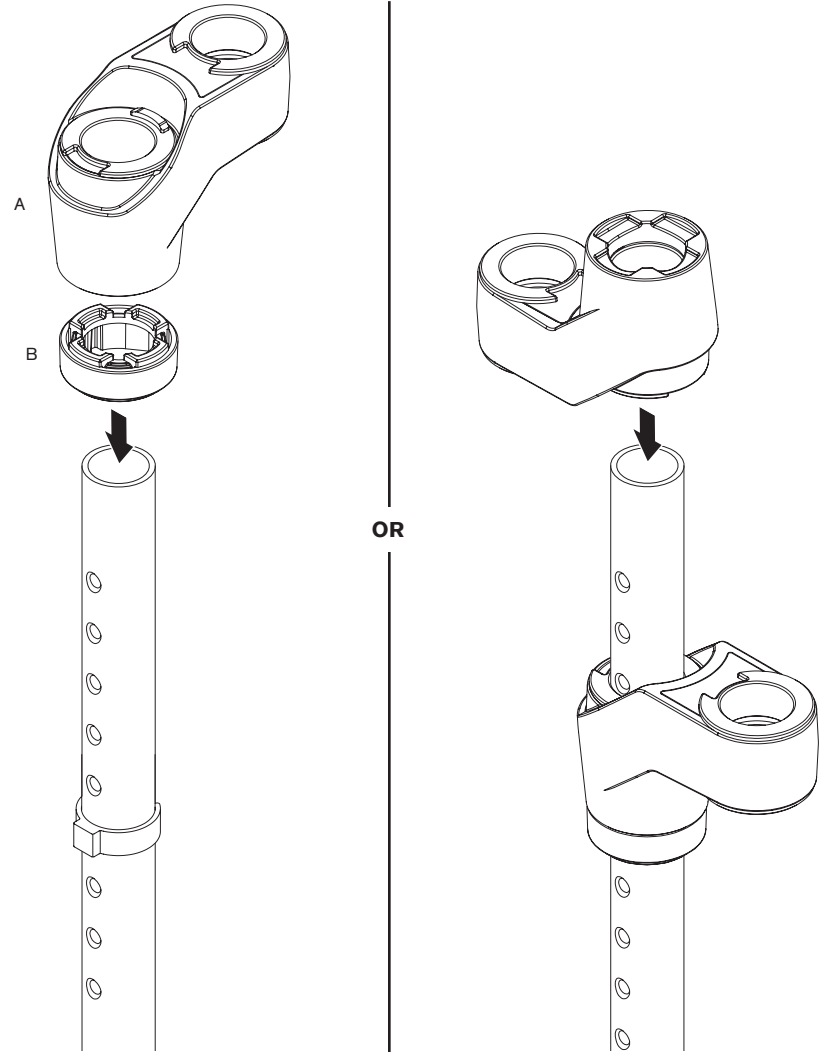
**Innovative Ergonomic Solutions**  
800 524 2744  
customerservice@team-ies.com  
team-ies.com



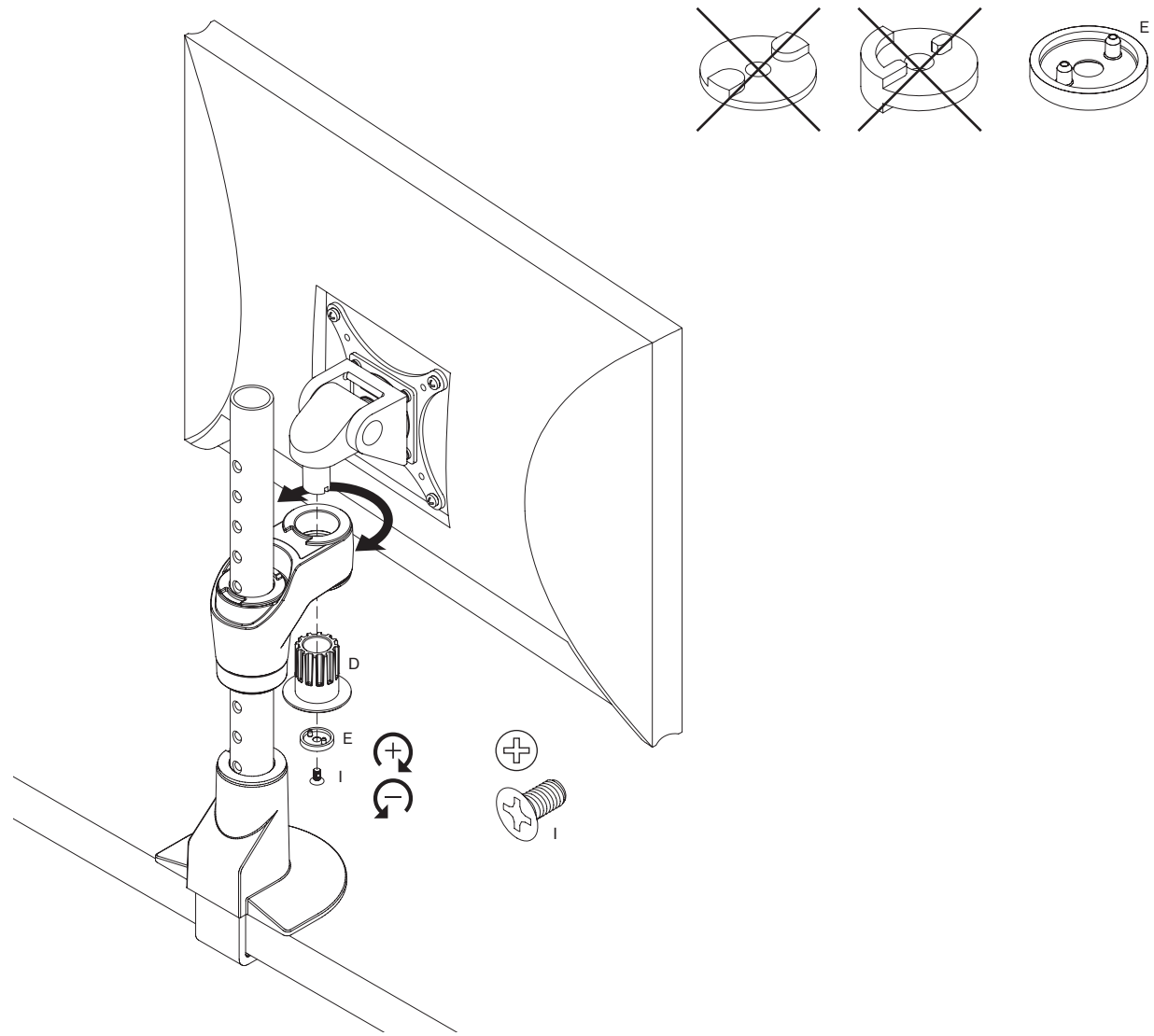
1



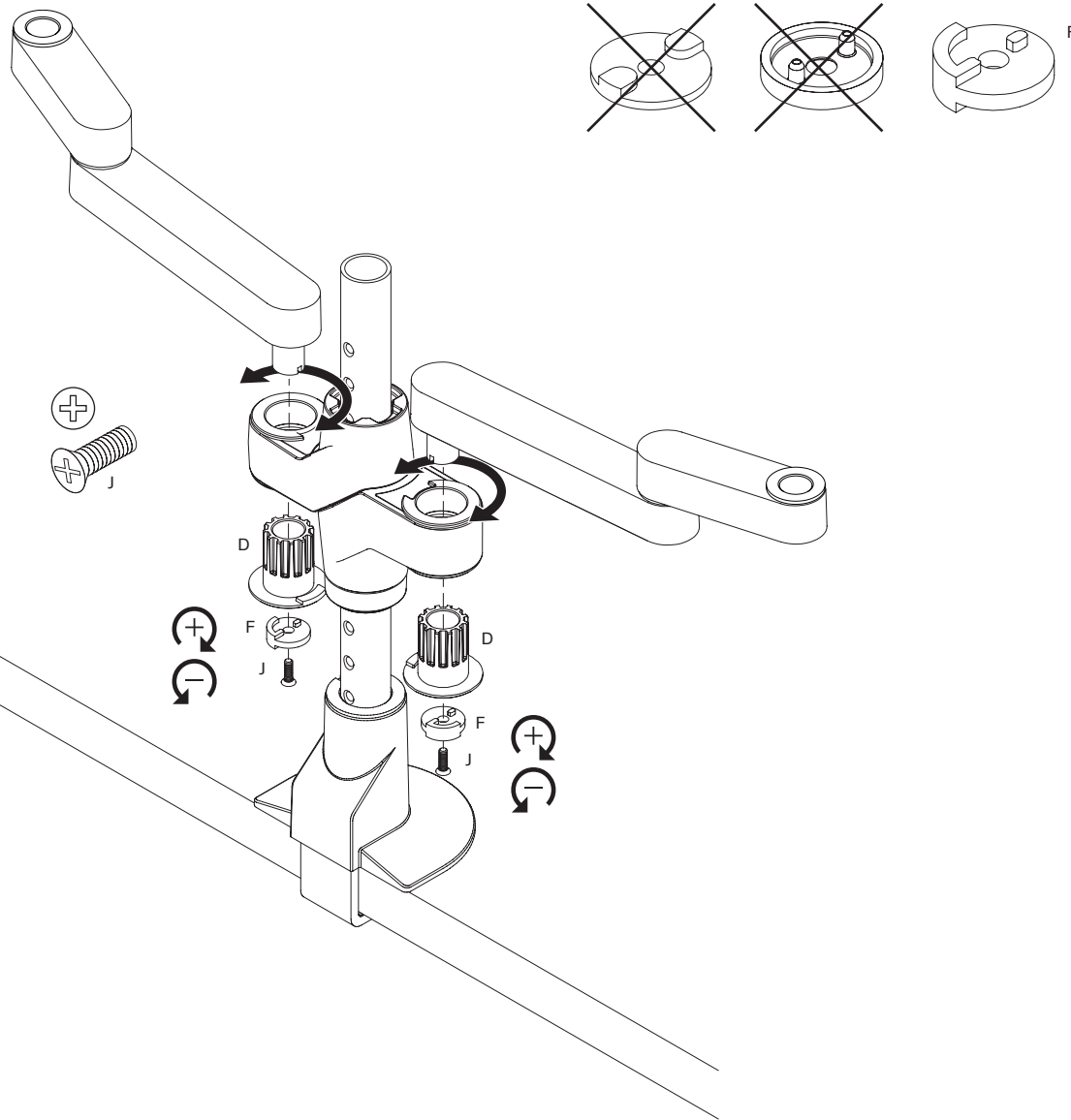
2



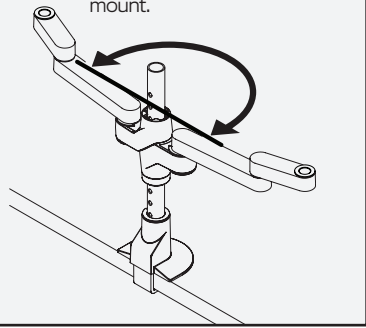
3a



3b



**IMPORTANT:** Install part (F) in the orientation as shown to the right. When washer, part (F), is installed correctly, the lower extension arms will not rotate past the back of the mount.



3c

**i** **IMPORTANT:** Install part (H) in the orientation as shown to the right. When washer, part (H), is installed correctly, the arms will not rotate past the back of the mount.

