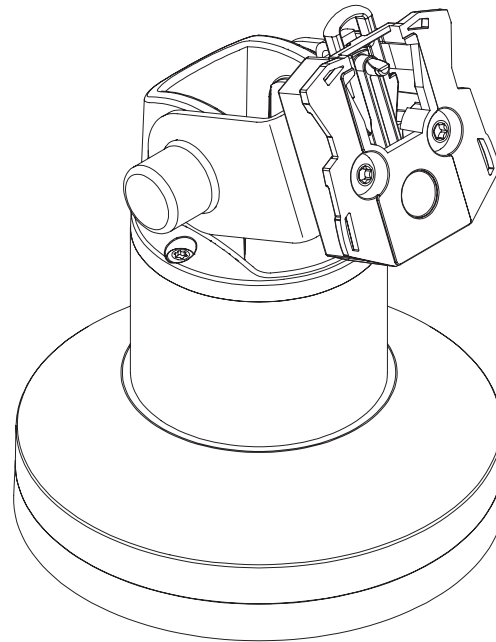


PTS-04-LANE

Installation Instructions

Innovative Ergonomic Solutions companies



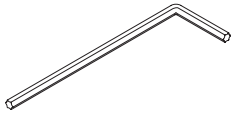
PTS-04-LANE

Parts List

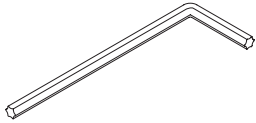
A T15 L-Key 1x
714904



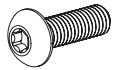
B T20 L-Key 1x
714997



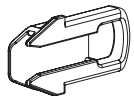
C T25 L-Key 1x
714899



D Lane Adapter Screw 2x
714305



E Lane Adapter Key 2x
114307

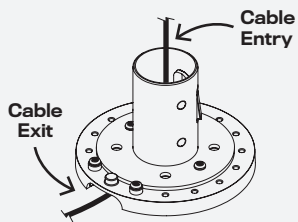


**IMPORTANT:**

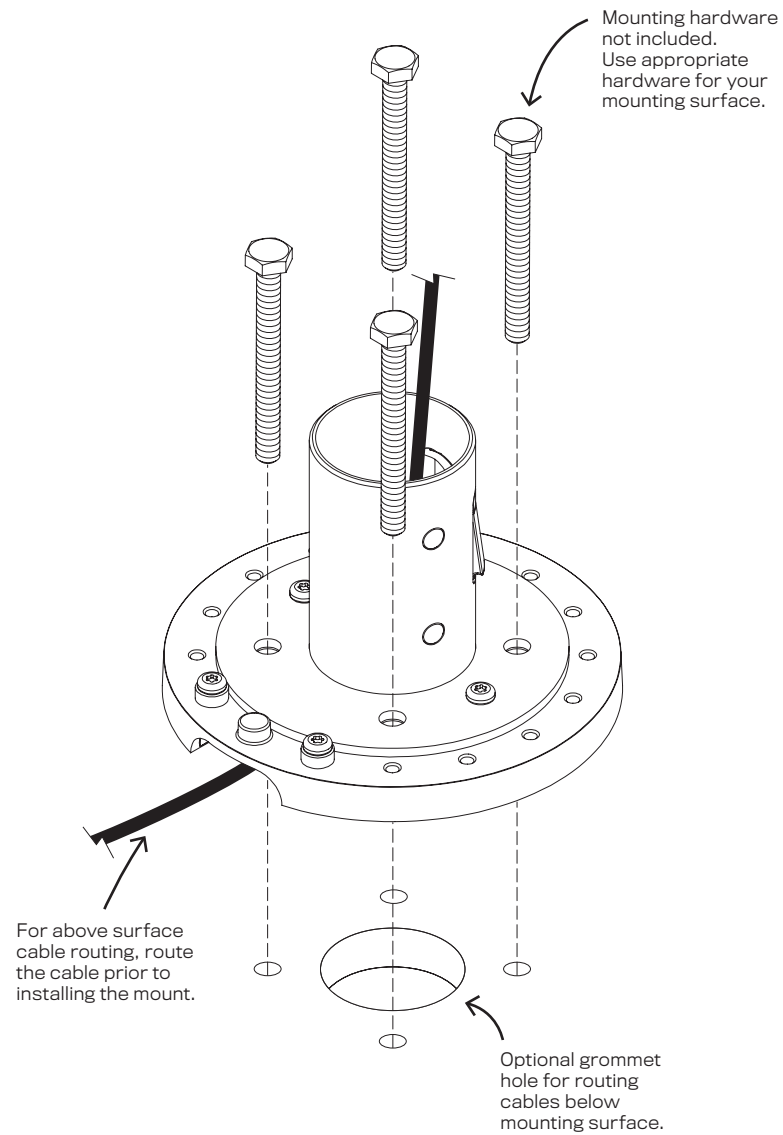
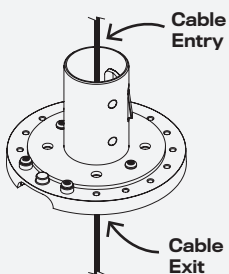
Determine cable routing prior to installing mount. This will ensure the mount is installed in the correct orientation for your installation.

Above Surface Cable Routing

Locate the mount cable exit and plan your installation accordingly.

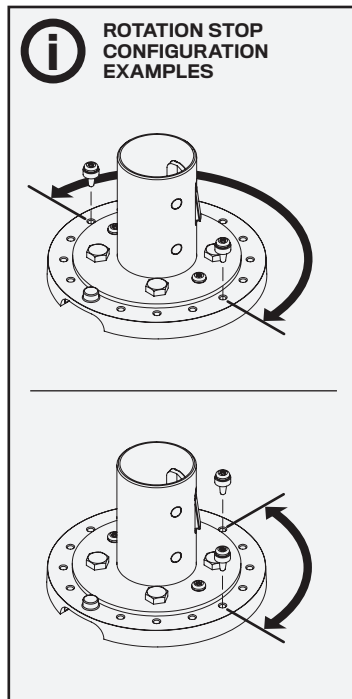
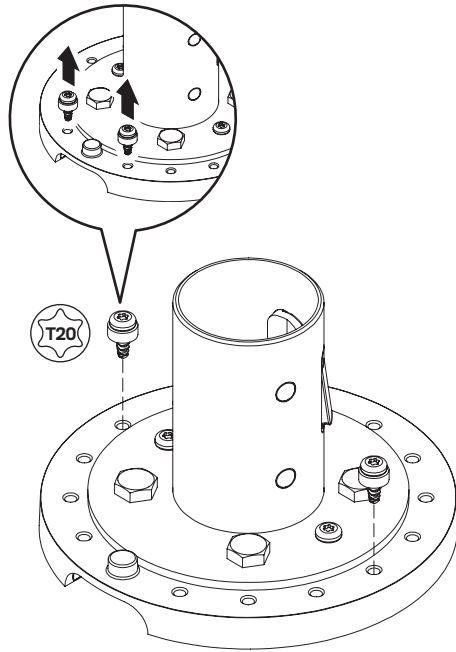
**Below Surface Cable Routing**

Cables may pass through the mount (requires grommet hole).



ROTATION

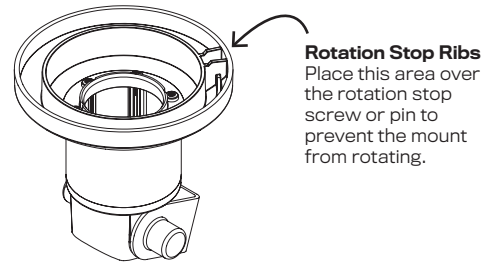
Placement of the two rotation stop screws in the outer ring determine the amount of payment terminal rotation. You can remove the screws from their original location and place them in any of the holes in the outer ring to allow for the amount of desired rotation.



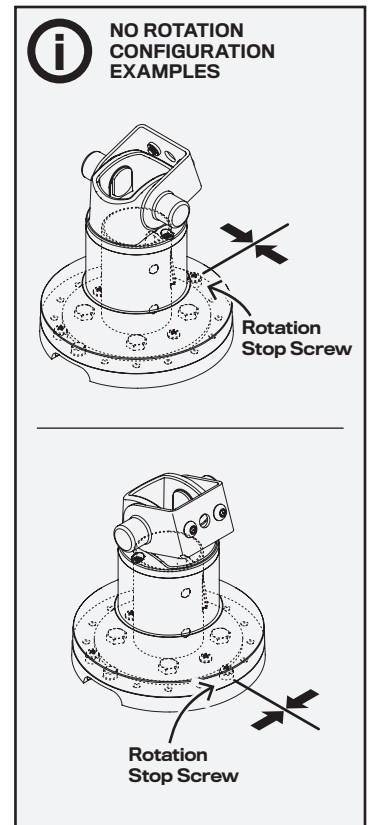
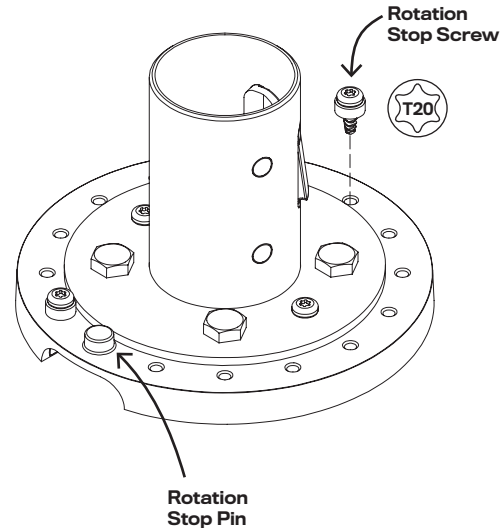
OR

NO ROTATION

There are rotation stop ribs underneath the top portion of the mount that can be placed directly over the rotation stop screw or pin. This positioning will prevent the payment terminal from rotating. Determine the proper rotation stop screw location for your installation.

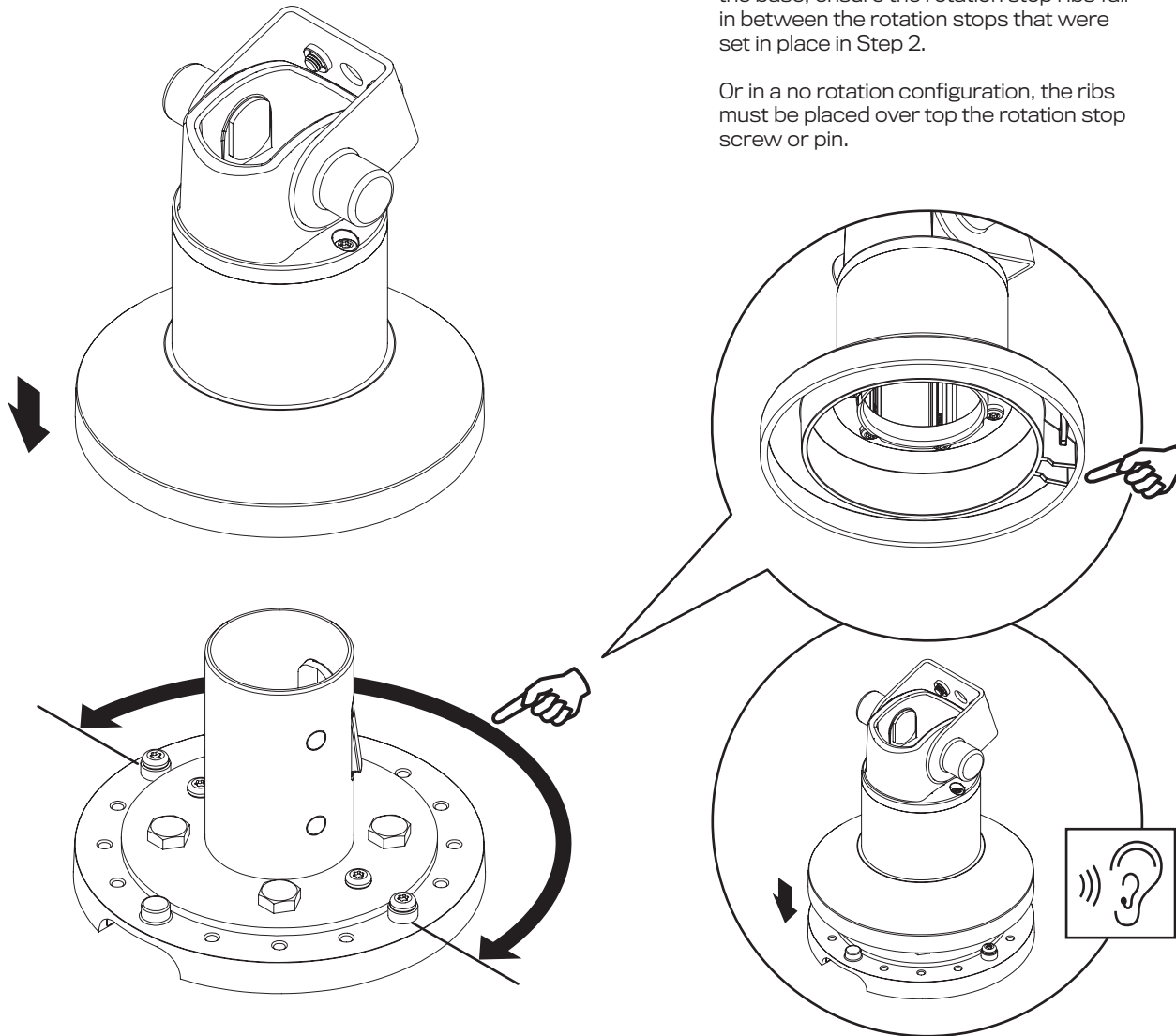


Rotation Stop Ribs
Place this area over the rotation stop screw or pin to prevent the mount from rotating.



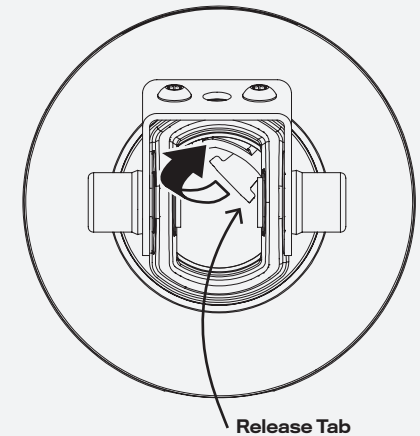
When placing the top of the mount onto the base, ensure the rotation stop ribs fall in between the rotation stops that were set in place in Step 2.

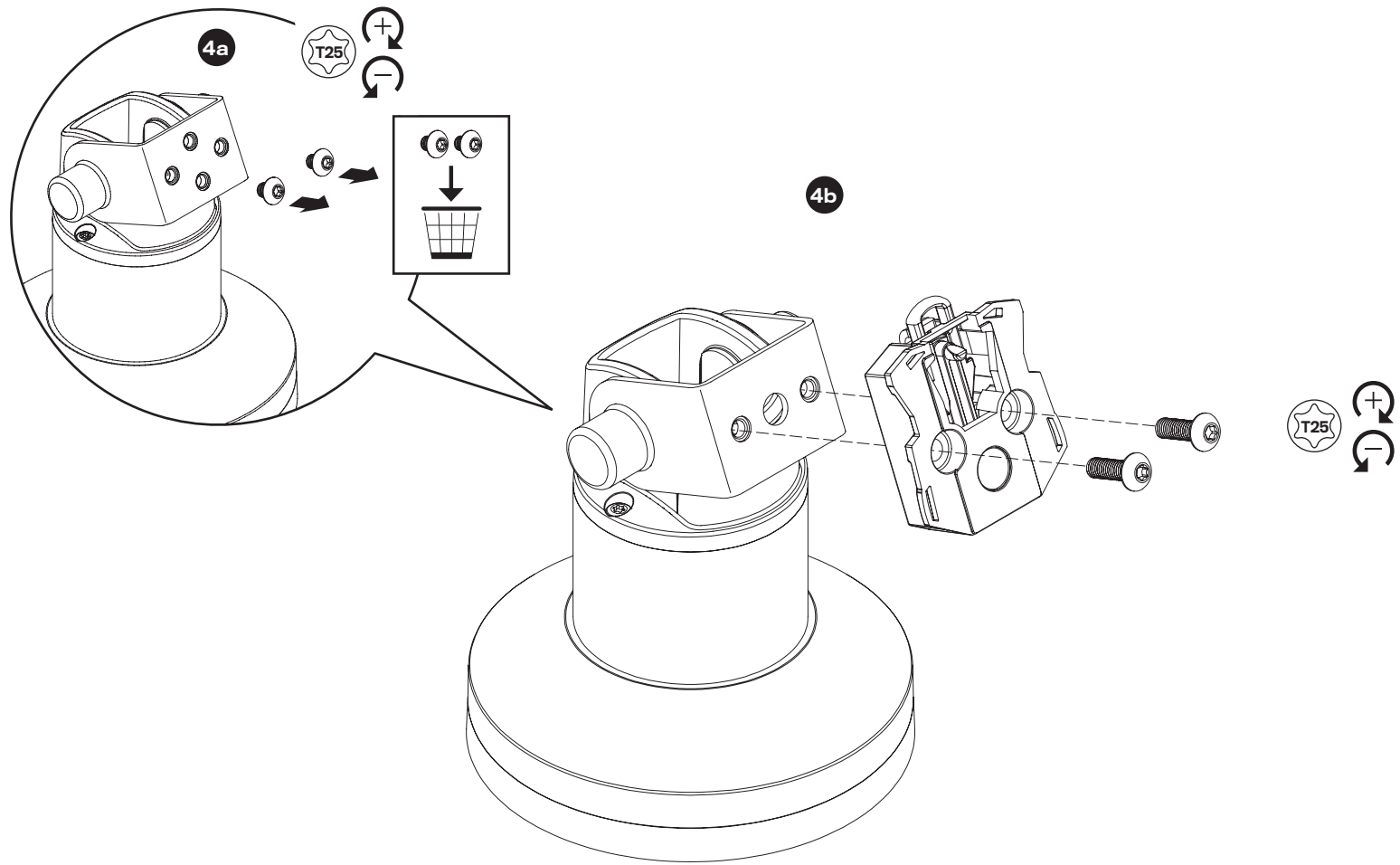
Or in a no rotation configuration, the ribs must be placed over top the rotation stop screw or pin.



HOW TO RELEASE MOUNT

Locate the release tab inside the mount. Using a screwdriver, or similar tool, pull back on the tab. With the tab pulled back, lift up on the upper portion of the mount to release.

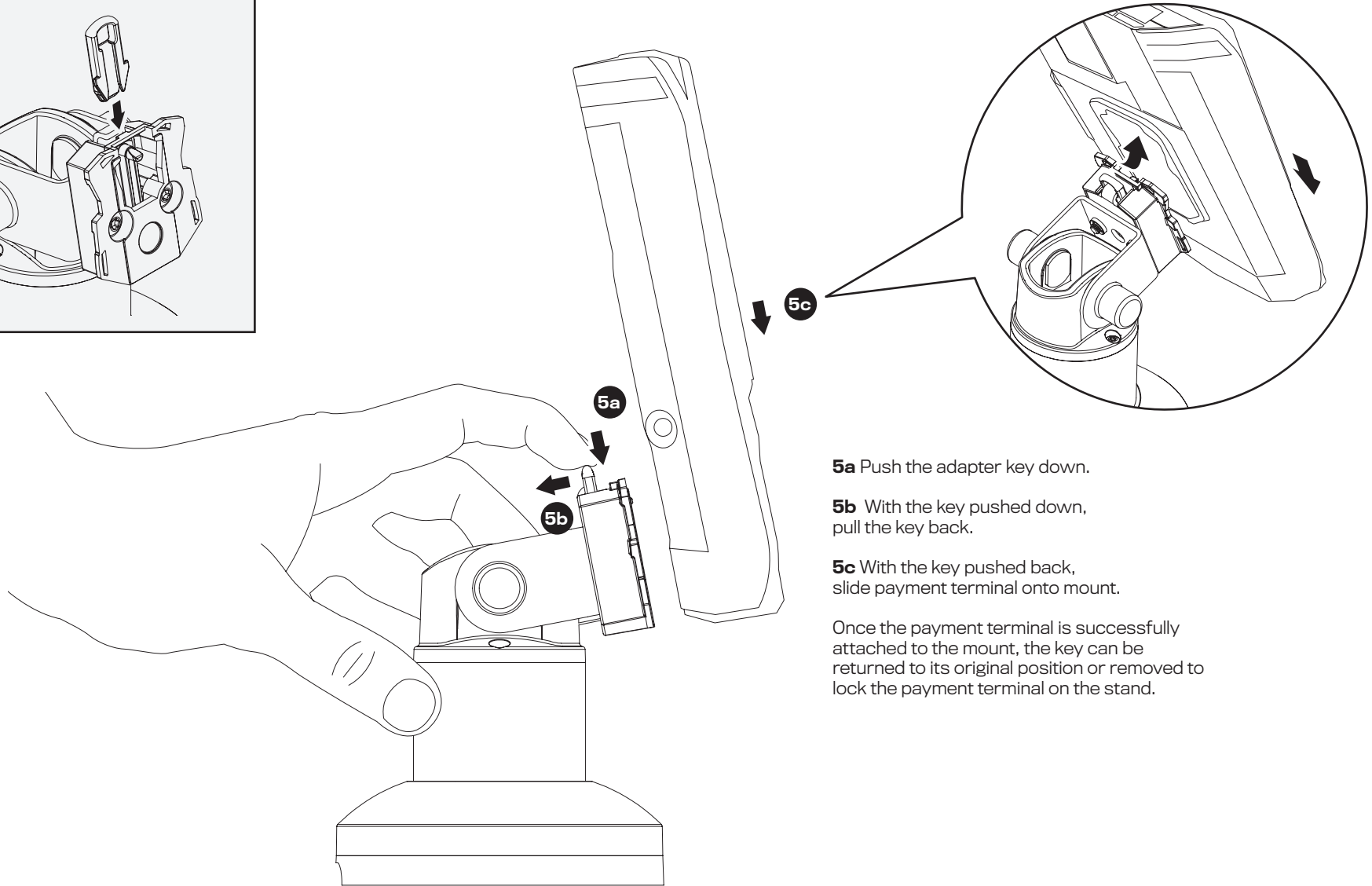
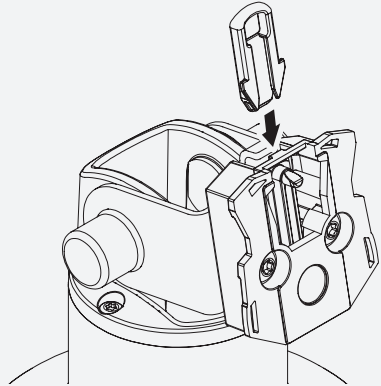






ADAPTER KEY

The Lane adapter key (item E), needs to be inserted in the mount in order to attach and detach the payment terminal.

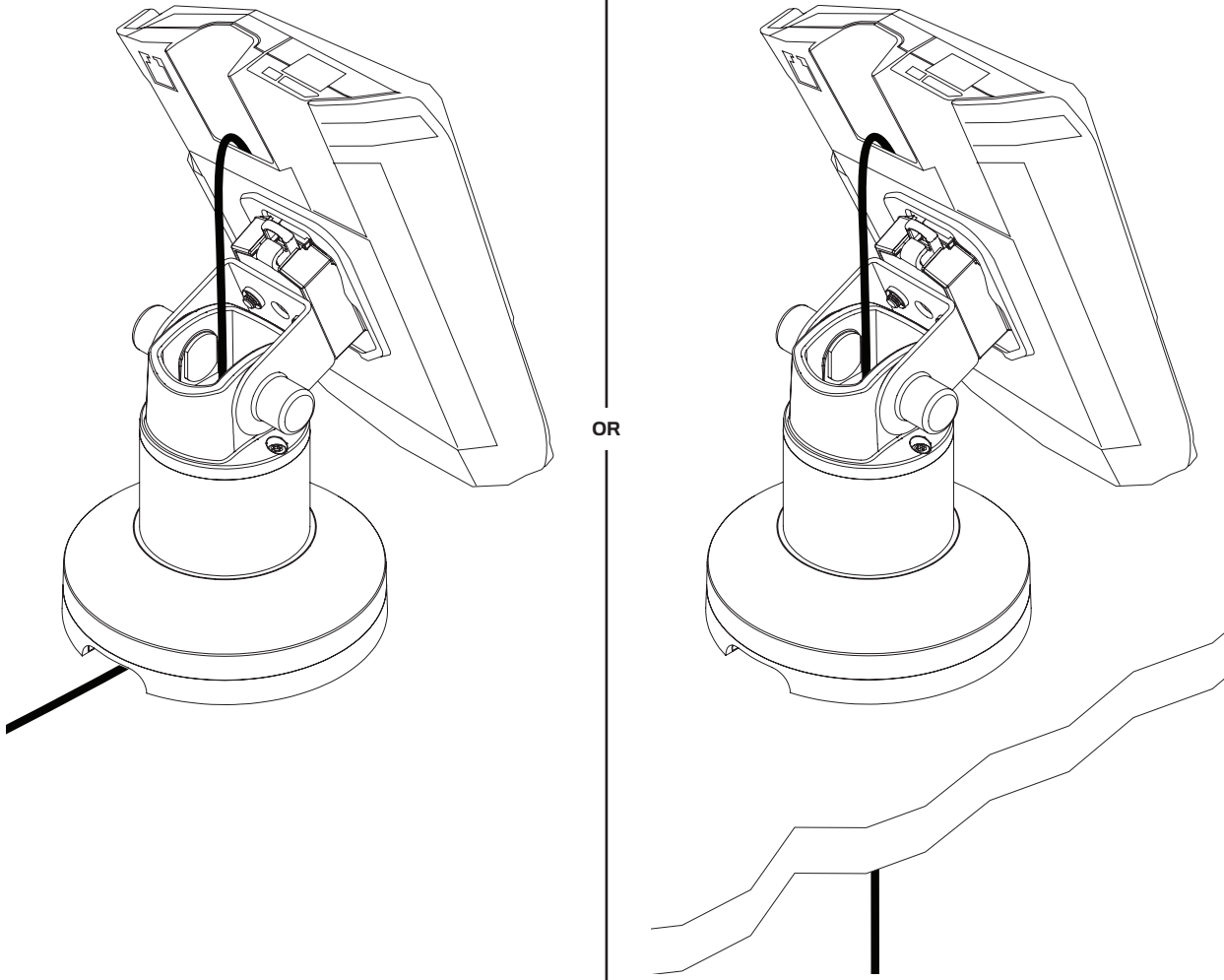


5a Push the adapter key down.

5b With the key pushed down, pull the key back.

5c With the key pushed back, slide payment terminal onto mount.

Once the payment terminal is successfully attached to the mount, the key can be returned to its original position or removed to lock the payment terminal on the stand.



i ADJUSTMENT FEATURE

To adjust the tilt friction, remove the hex nut covers and tighten or loosen the 13mm hex nut while securing the pivot screw on the inside of the mount with a 14mm wrench. Adjust both sides as needed.

