



HAT COLLECTIVE™

innovative™
design works

ERGO
TECH

CompuCaddy®

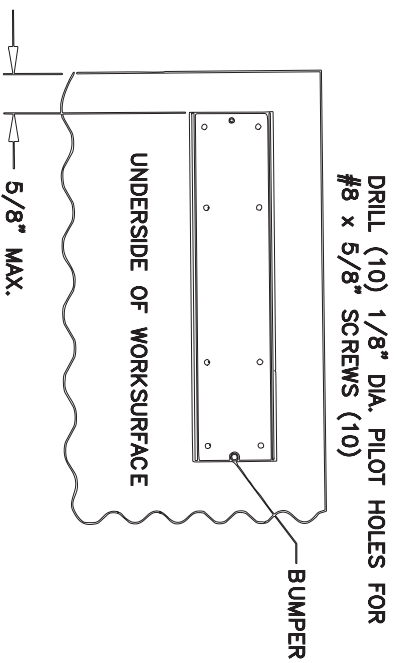
Innovative Ergonomic Solutions companies

MODEL KT12-17

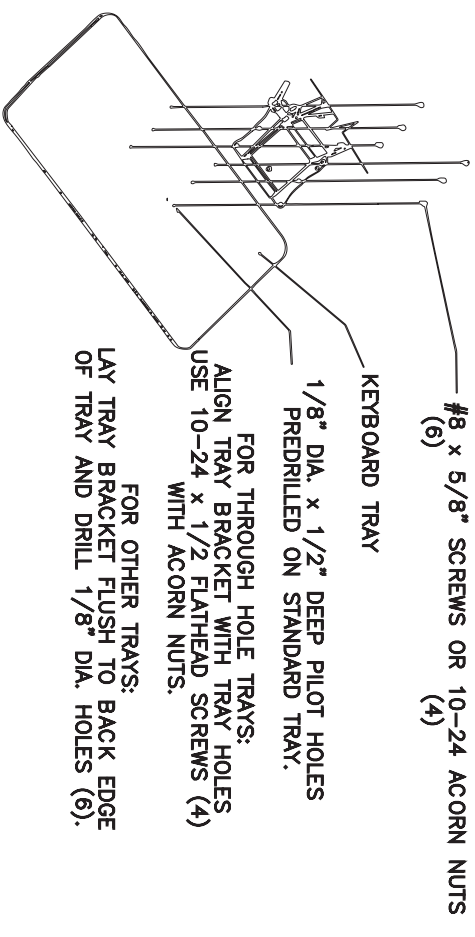
Installation Instructions

Tools Needed:
Phillips Head Screwdriver
3/8" Wrench

① MOUNT TRACK

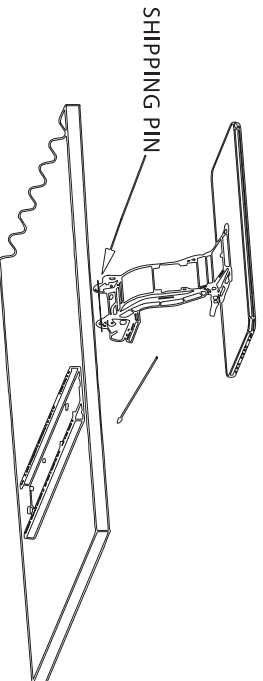


② MOUNT KEYBOARD TRAY

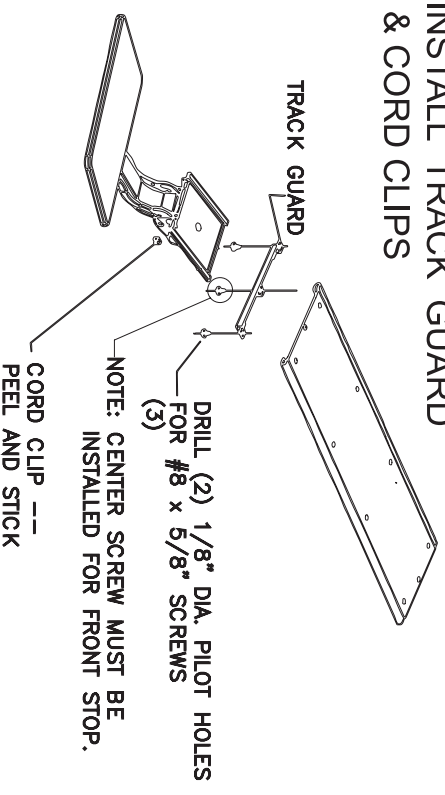


③ INSTALL MECHANISM

REMOVE SHIPPING PIN ONLY AFTER MECHANISM IS INSERTED INTO THE MOUNTED TRACK. TO REMOVE SHIPPING PIN: TIP FRONT OF KEYBOARD TRAY UP AND BEGIN TO LOWER MECHANISM TO RELIEVE PRESSURE ON SHIPPING PIN. PULL OUT SHIPPING PIN. SLIDE MECHANISM BACK TO BUMPER.



④ INSTALL TRACK GUARD & CORD CLIPS





MODEL KT12-27

Installation Instructions

Innovative Ergonomic Solutions companies

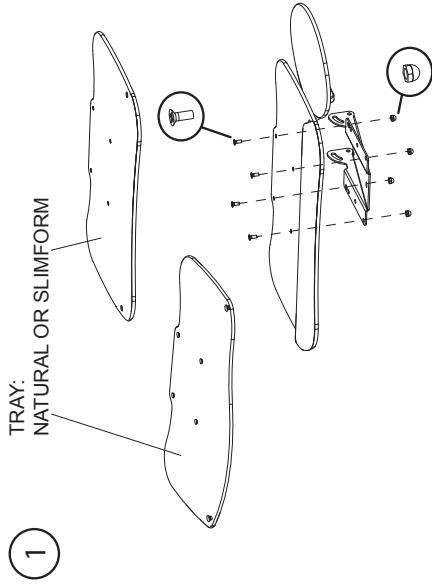
Hardware Included:

- (4) Acorn Nuts
 - (4) Screws
 - (4) Anti-Slip Keyboard Pads
 - (1) Mouse Pad *
 - (1) Mouse Catcher *
- * - only with Mouse Set

Tools Needed:

- Phillips Head Screwdriver
- Wrench
- Allen Wrench

RIGHT HAND MOUSE



LEFT HAND MOUSE

