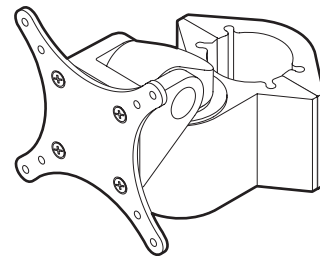


Innovative Ergonomic Solutions companies

# MODEL 9170



## 1

1-1/2"	<b>A</b>
1-3/4"	<b>B</b>
2"	

## 2

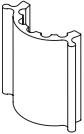
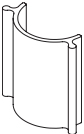
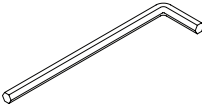
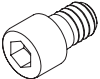
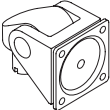
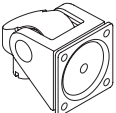
## 3


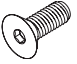
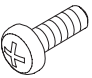
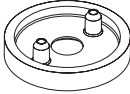

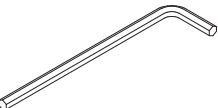
\* Some monitors may require a spacer hardware kit. See page 2 for details.

## 4

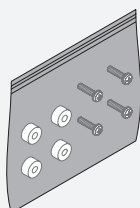
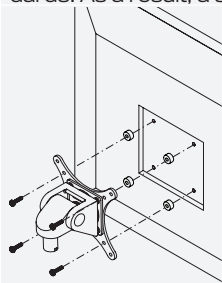
## 5

# MODEL 9170

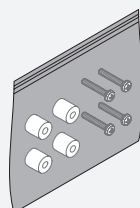
ITEM	DESCRIPTION / PART NO.	
A 	<b>Bushing for 1-1/2" Pole</b> 102658	<b>2</b>
B 	<b>Bushing for 1-3/4" Pole</b> 103106	<b>2</b>
C 	<b>3/16" Allen Wrench</b> 701311	<b>1</b>
D 	<b>1/4-20 x 1/2" Screw</b> 701915	<b>4</b>
E 	<b>Monitor Tilter</b> 405397	<b>1</b>
F 	<b>Spring-Assisted Monitor Tilter</b> (9170-HD only) 407747	<b>1</b>

ITEM	DESCRIPTION / PART NO.	
G 	<b>75/100mm VESA® Adapter Plate</b> 105587	<b>1</b>
H 	<b>10-32 x 3/8" Phillips Flat Head Screw</b> 702281	<b>1</b> (4 pack)
I 	<b>M4 x 12mm Phillips Pan Head Screw</b> 702096	<b>1</b> (4 pack)
J 	<b>Dog Washer</b> 105189	<b>1</b>
K 	<b>10-32 x 3/8" FPhMS w/Lock Patch</b> 705198	<b>1</b>
L 	<b>7/32" Allen Wrench</b> 701127	<b>1</b>

**OPTIONAL SPACER KITS** In some cases, the mounting surface on your monitor may be recessed further than permitted by VESA® standards. As a result, a spacer kit may be required.



**.25" Spacer Hardware Kit**  
 (4) .25" Spacers  
 (4) M4 x 18mm Phillips Pan Head Screws  
 Order # P404923-B



**.5" Spacer Hardware Kit**  
 (4) .5" Spacers  
 (4) M4 x 25mm Phillips Pan Head Screws  
 Order # P404923-C