

Parts List

NOTE: THERE MAY BE
ADDITIONAL PARTS UNDER TRAY.
PLEASE REVIEW ENTIRE PACKAGE
PRIOR TO DISCARDING.

A



Wall Mount
RP406795

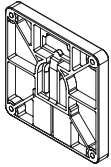
F

10-32 x 3/8" FPhMS w/Lock Patch
705198



B

Quick Connect VESA Plate
114808



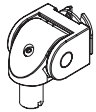
G

1/8" Allen Wrench
701312



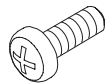
C

Monitor Tilter
8500 Tilter



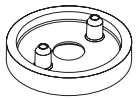
D

M4 x 12mm Phillips Pan Head Screw (4-pack)
702096

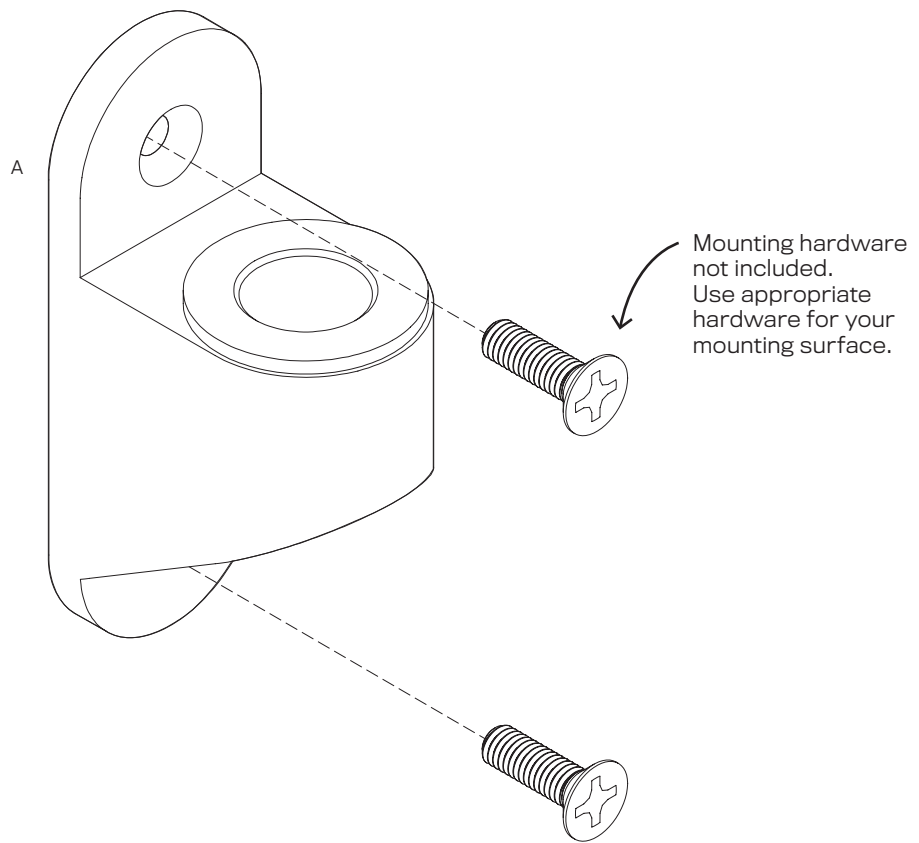


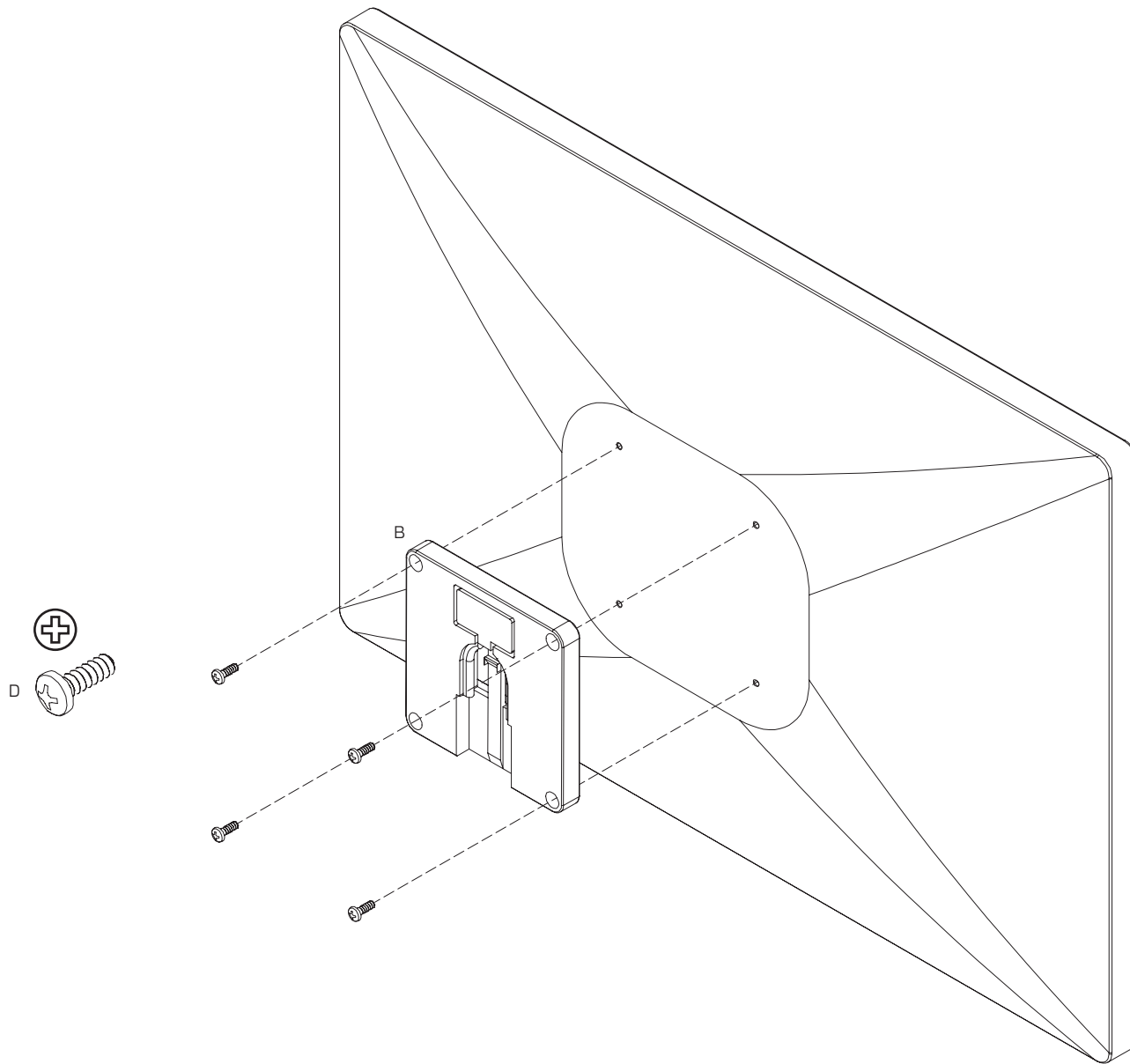
E

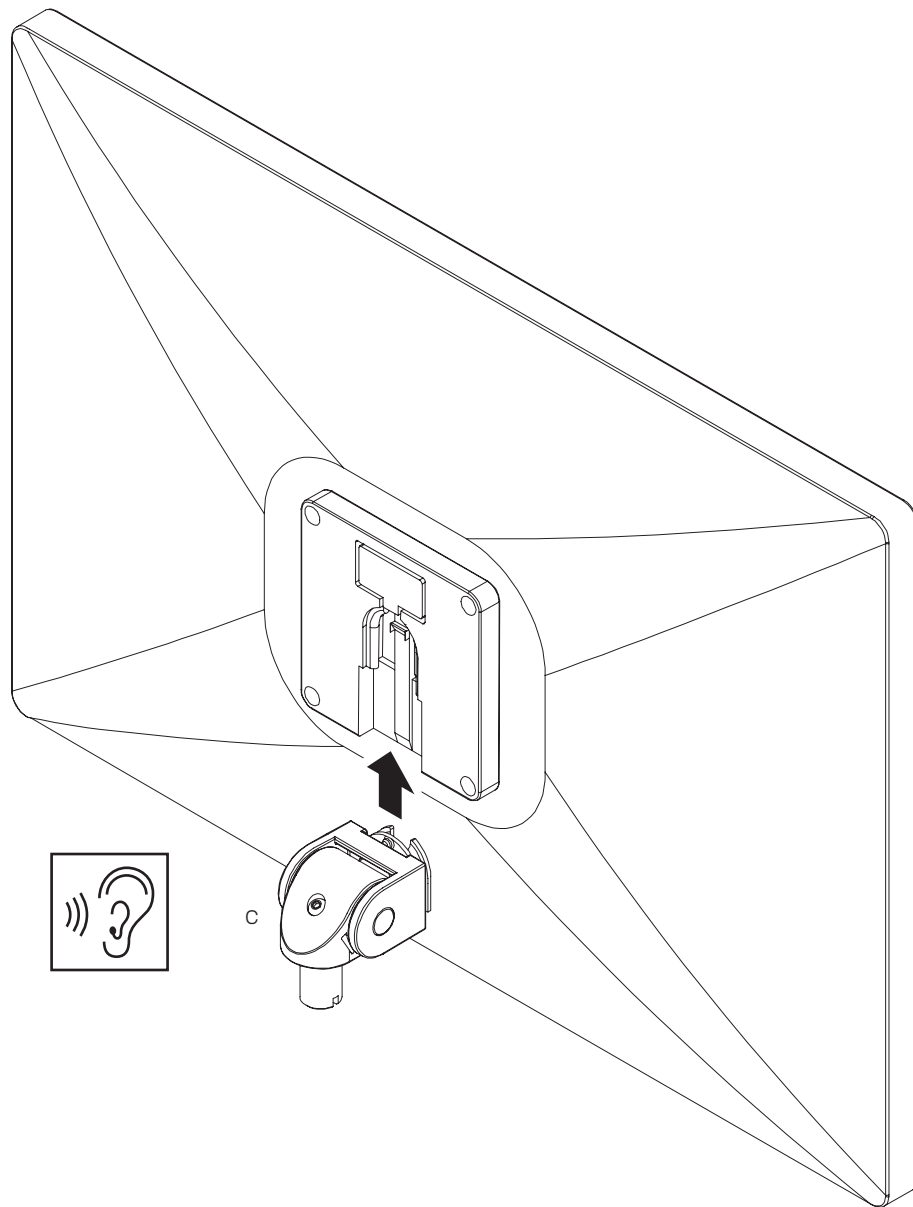
Dog Washer
105189



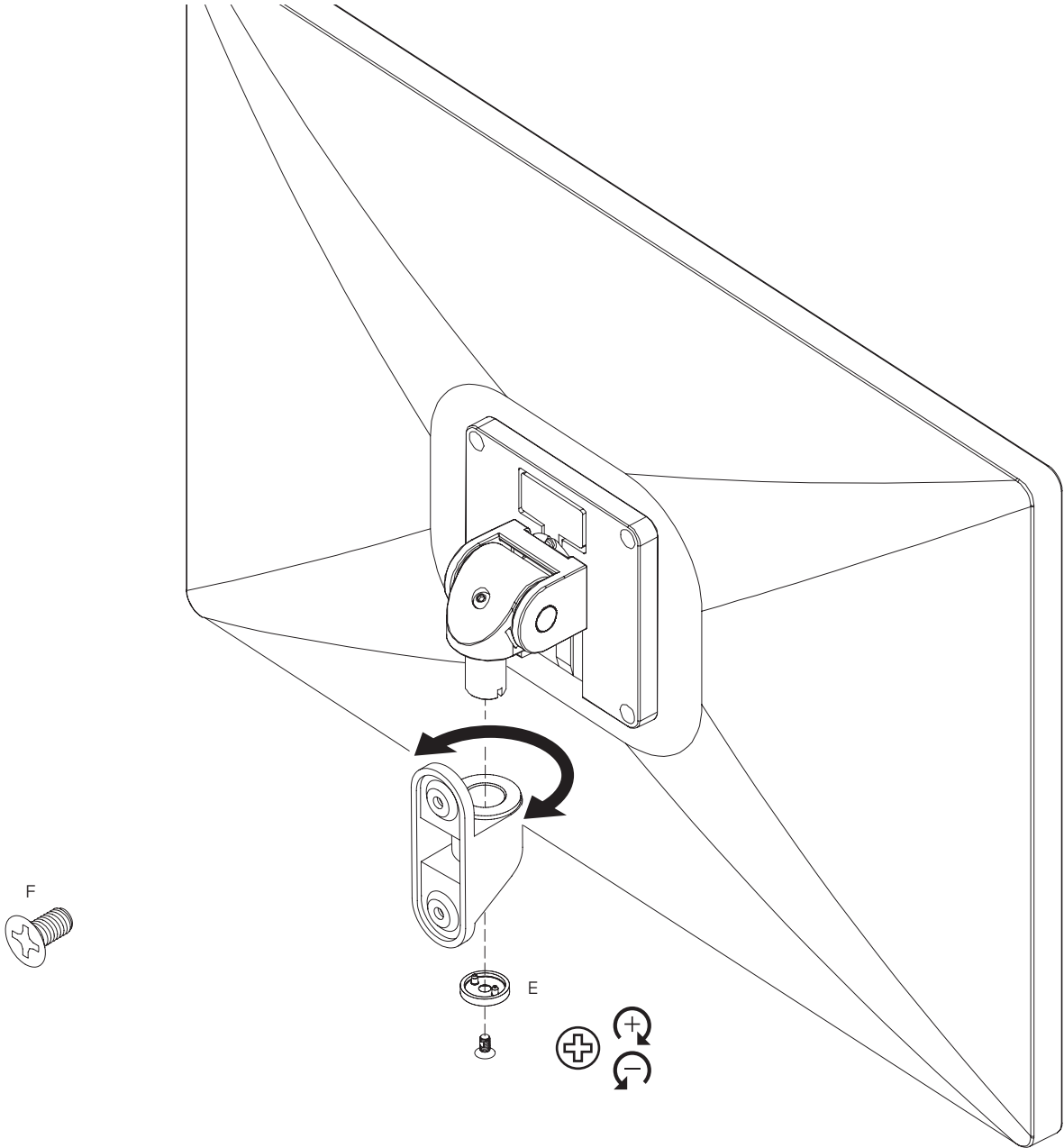
1



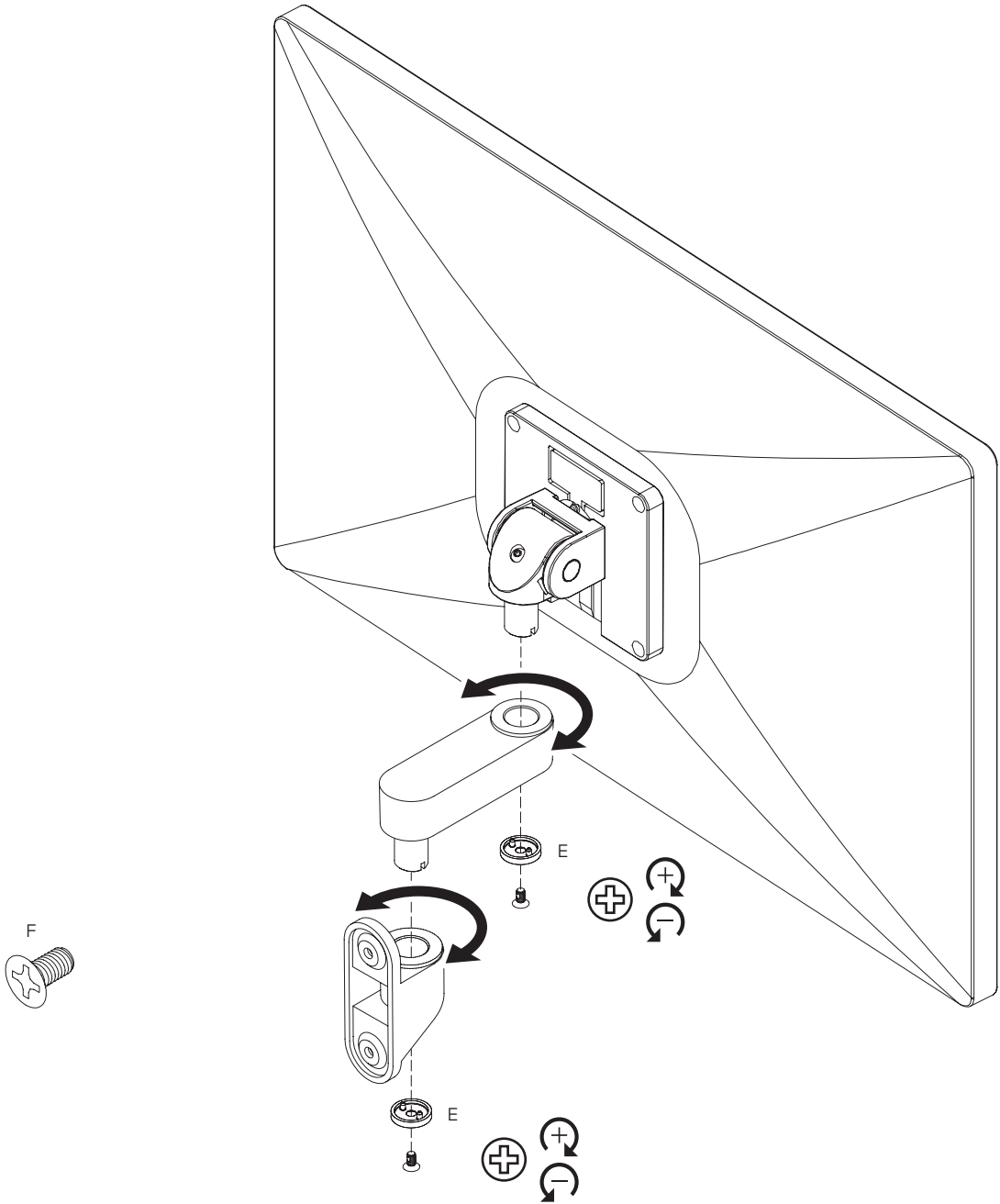




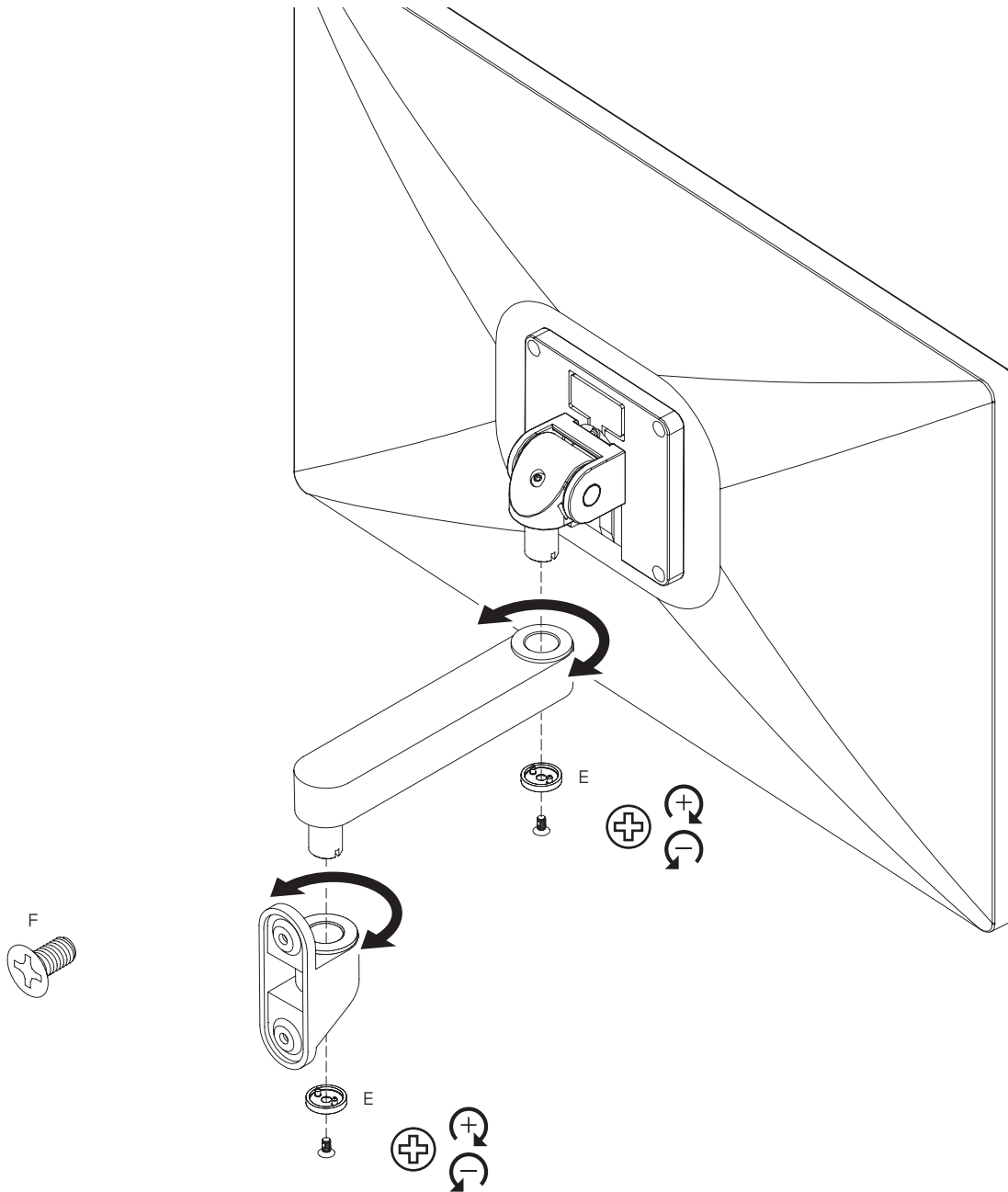
4



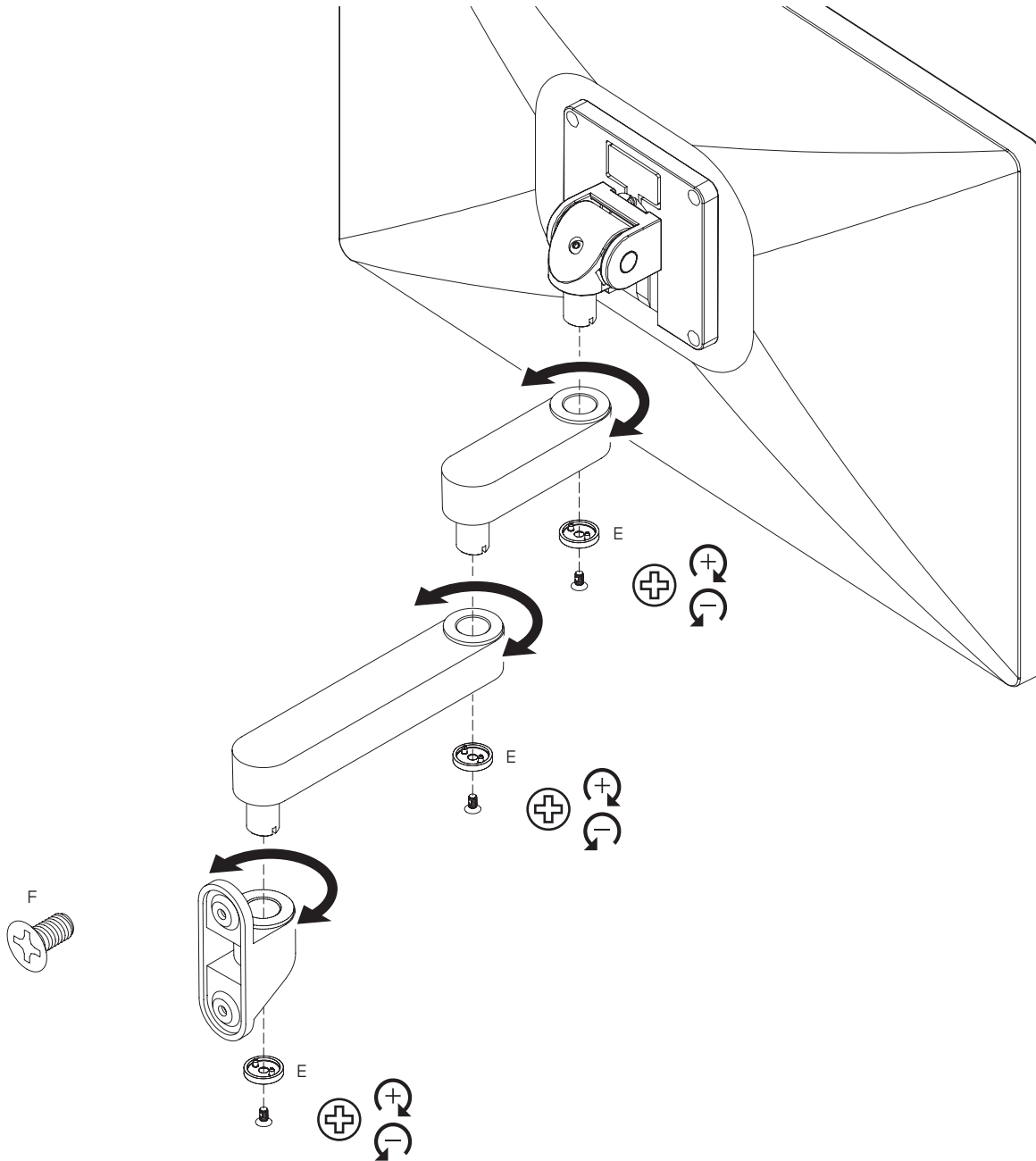
5

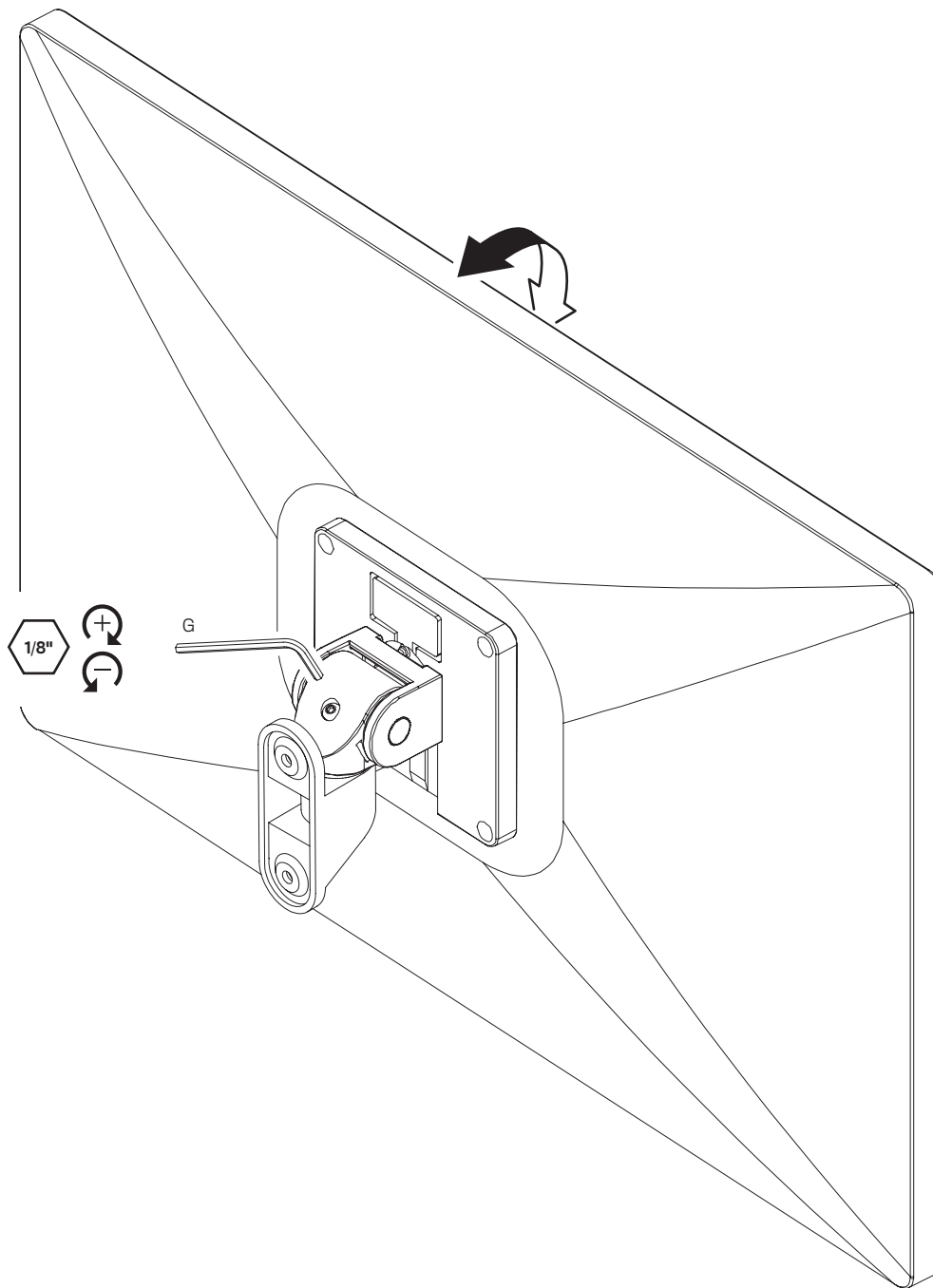


6



7





9

