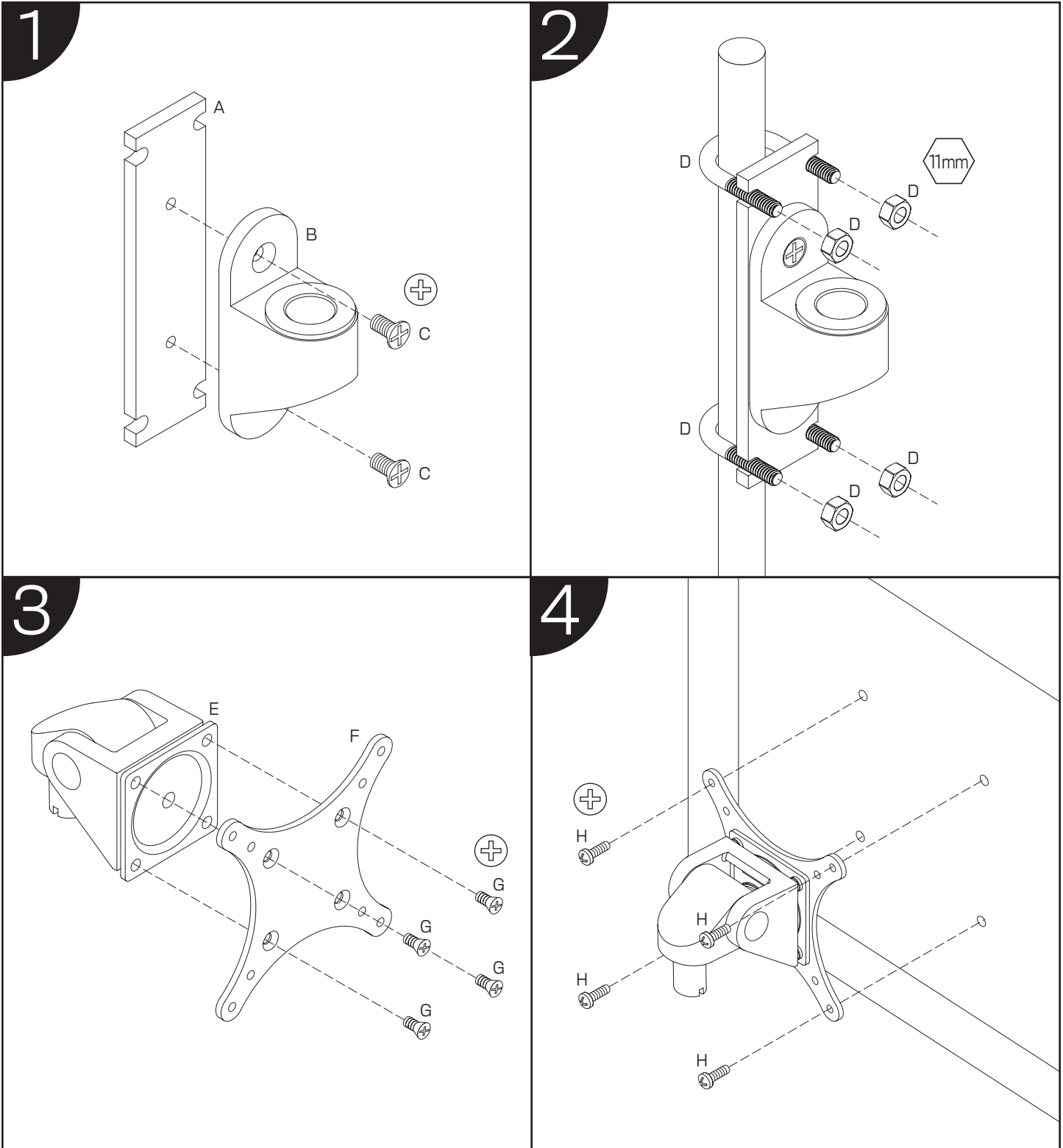


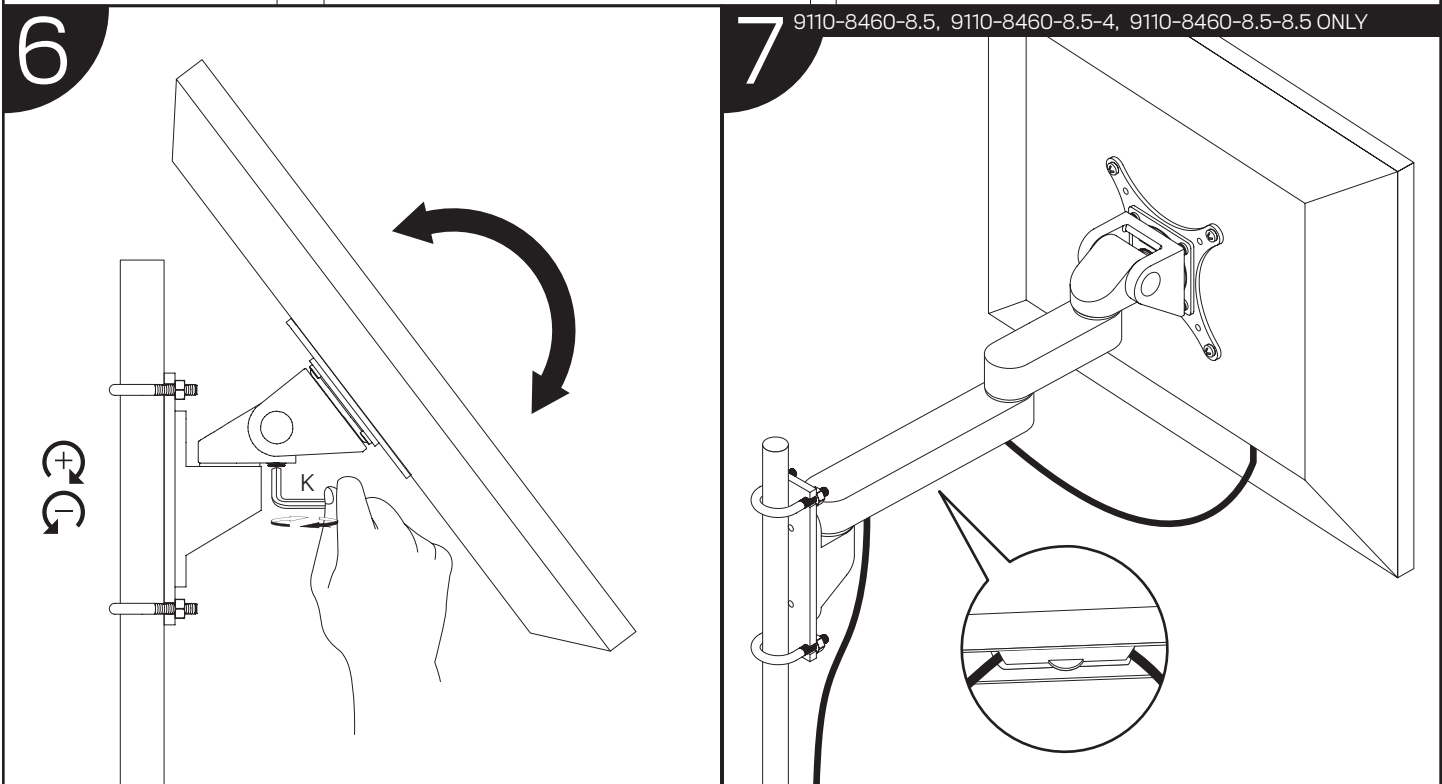
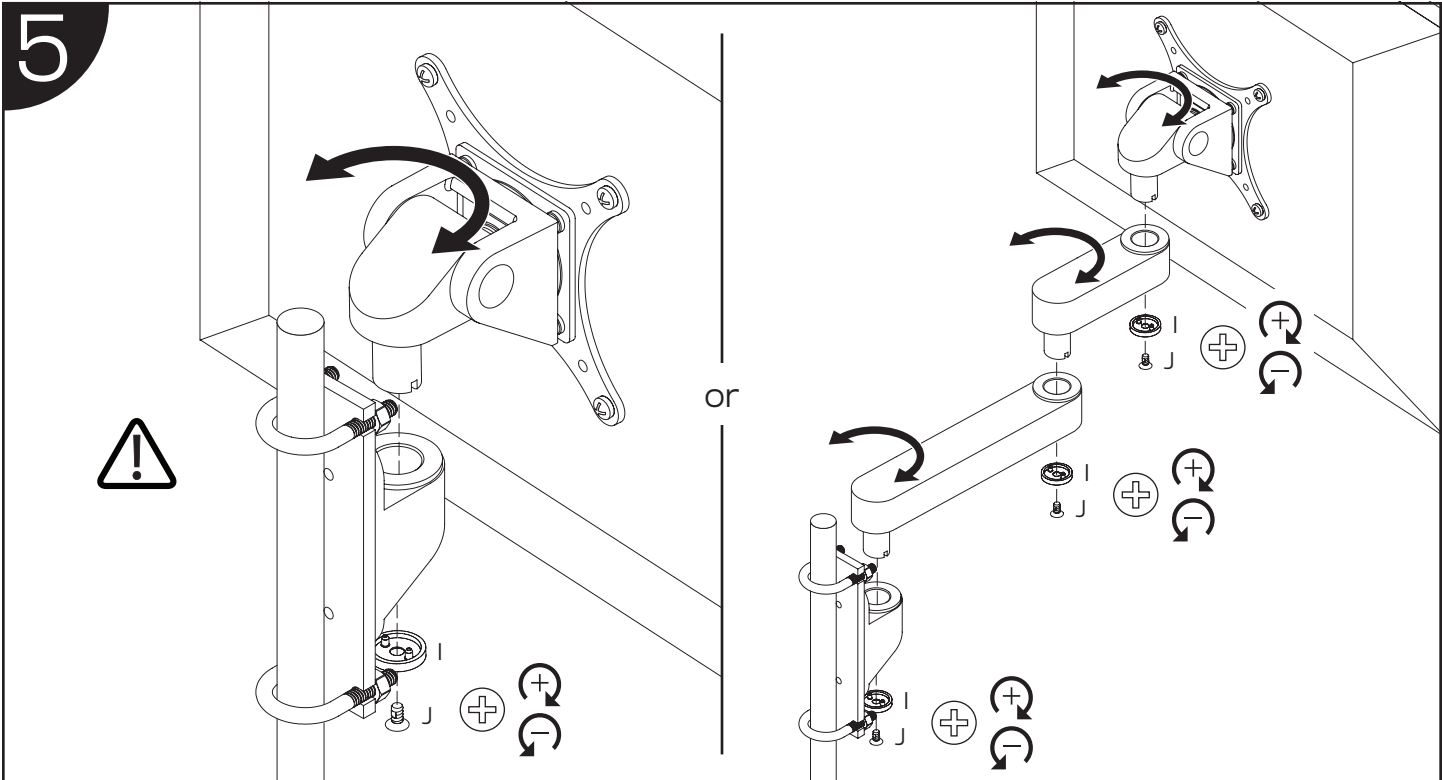
Innovative Ergonomic Solutions companies

# MODEL 9110-8460

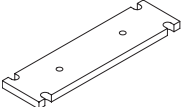


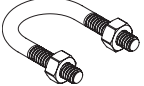
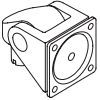


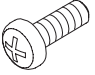

**NOTE:** THERE MAY BE  
ADDITIONAL PARTS  
UNDER TRAY.

PLEASE REVIEW  
ENTIRE PACKAGE  
PRIOR TO  
DISCARDING.





# MODEL 9110-8460

ITEM	DESCRIPTION / PART NO.	QUANTITY		
		9110-8460	9110-8460-4, 9110-8460-8.5	9110-8460-8.5-4, 9110-8460-8.5-8.5
A 	9110 Adapter Plate 111017	1	1	1
B 	Wall Mount RP406795	1	1	1
C 	FPhMS, 1/4-20 x 1/2 700987	1	1	1
D 	1/4-20 U-Bolt 111018	2	2	2
E 	Monitor Tilter 405397	1	1	1
F 	75/100mm VESA® Adapter Plate 105587	1	1	1
G 	10-32 x 3/8" Phillips Flat Head Screw 702281	1 (4-pack)	1 (4-pack)	1 (4-pack)
H 	M4-12 Phillips Pan Head Screw 702096	1 (4-pack)	1 (4-pack)	1 (4-pack)
I	Dog Washer 105189	1	2	3
J	10-32 x 3/8" FPhMS w/Lock Patch 705198	1	2	3
K 	7/32" Allen Wrench 701127	1	1	1