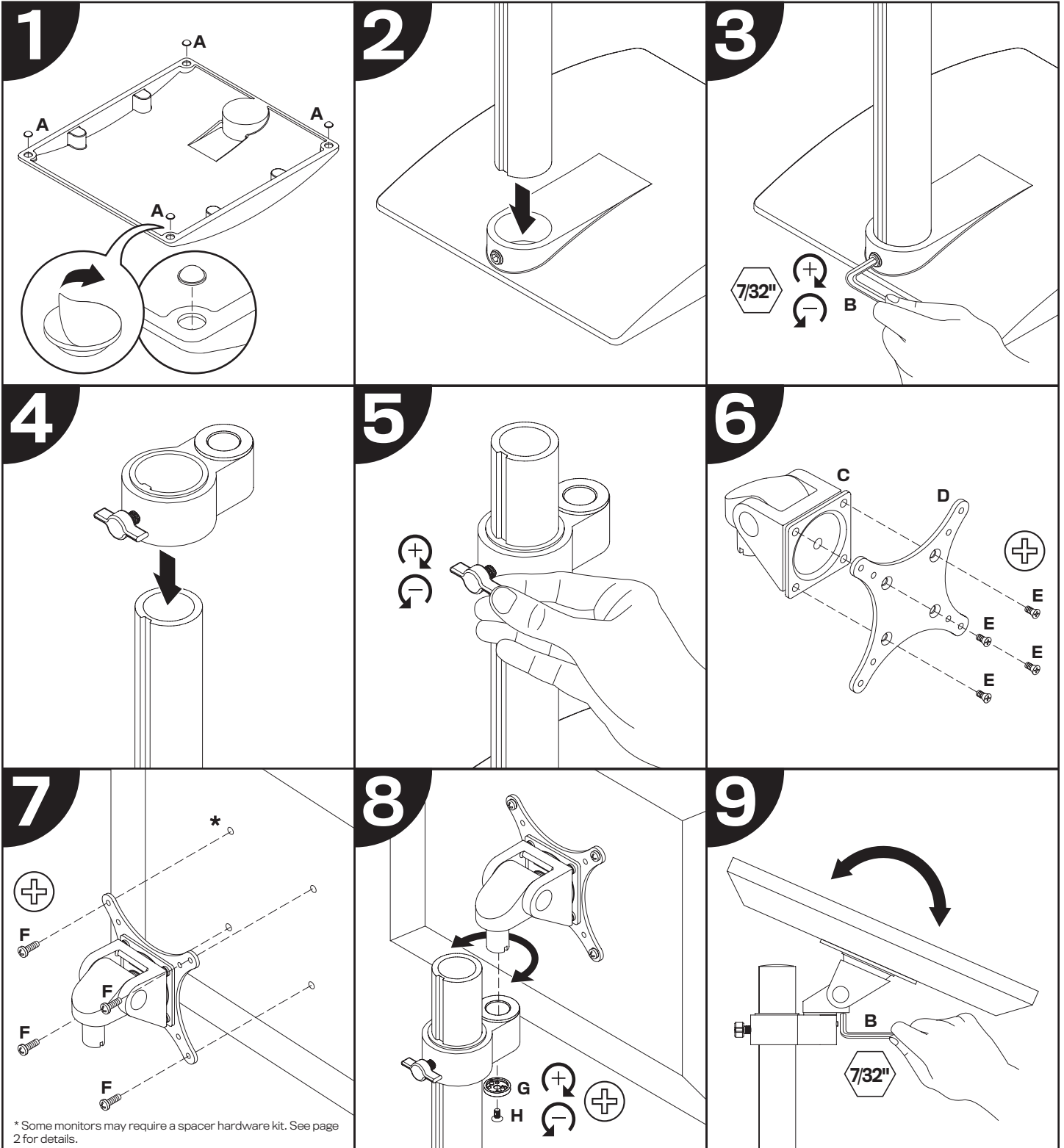
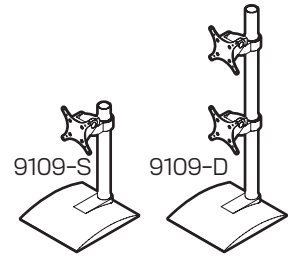


Innovative Ergonomic Solutions companies

# MODEL 9109



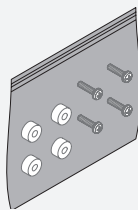
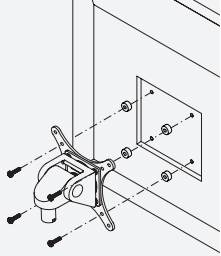
\* Some monitors may require a spacer hardware kit. See page 2 for details.

# MODEL 9109

ITEM	DESCRIPTION / PART NO.	QUANTITY	
		Model# 9109-S	9109-D
A	<b>Bumper</b> 712796	4	4
B	<b>7/32" Allen Wrench</b> 701127	1	1
C	<b>Monitor Tilter</b> 405397	1	2
D	<b>75mm/100mm VESA® Adapter</b> 105587	1	2

ITEM	DESCRIPTION / PART NO.	QUANTITY	
		Model# 9109-S	9109-D
E	<b>10-32 x 3/8" Phillips Flat Head Screw</b> 702281	1 (4-pack)	2 (4-pack)
F	<b>M4-12 Phillips Pan Head Screw</b> 702096	1 (4-pack)	2 (4-pack)
G	<b>Dog Washer</b> 105189	1	2
H	<b>10-32 x 3/8" FPhMS w/Lock Patch</b> 705198	1	2

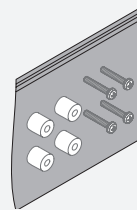
**OPTIONAL SPACER KITS** In some cases, the mounting surface on your monitor may be recessed further than permitted by VESA® standards. As a result, a spacer kit may be required.



### .25" Spacer Hardware Kit

(4) .25" Spacers  
(4) M4 x 18mm Phillips Pan Head  
Screws

Order # P404923-B



### .5" Spacer Hardware Kit

(4) .5" Spacers  
(4) M4 x 25mm Phillips Pan Head  
Screws

Order # P404923-C