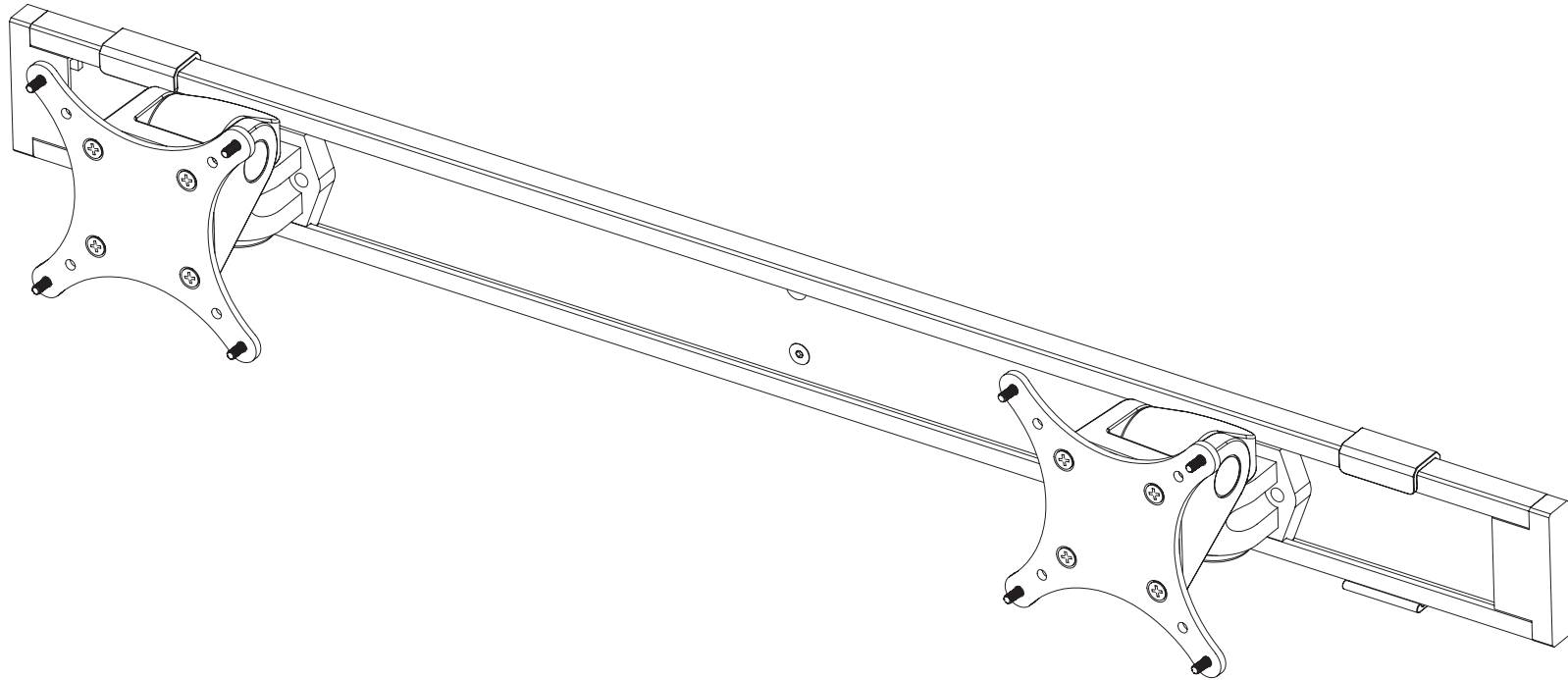


Model 8520

Installation Instructions



CAUTION

Mechanism can rise quickly with no equipment in place. User equipment must be properly installed, prior to height adjustment. Failure to do so may result in personal injury and/or property damage.

Model 8520

Parts List

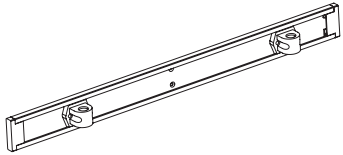
A 3mm Allen Wrench 1x
701313



B M5 x 10 mm Screws 2x
713966



C Horizontal Beam 1x
414818



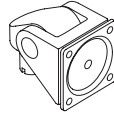
D 10-32 x 3/8" PhPHS (4-pack) 2x
702281



E 75/100 mm VESA Adapter 2x
105587



F Standard Monitor Tilter 2x
405397



G M4 x 12 mm PhPHS (4-pack) 2x
702096



H Dog Washer 2x
111230-603



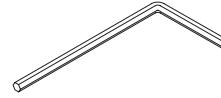
I 10-32 x 1/2" FHSCS 2x
711240



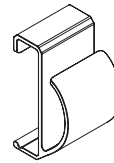
J 1/8" Allen Wrench 1x
701312



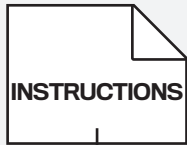
K 7/32" Allen Wrench 1x
701127



L Cable Clip 2x
112082

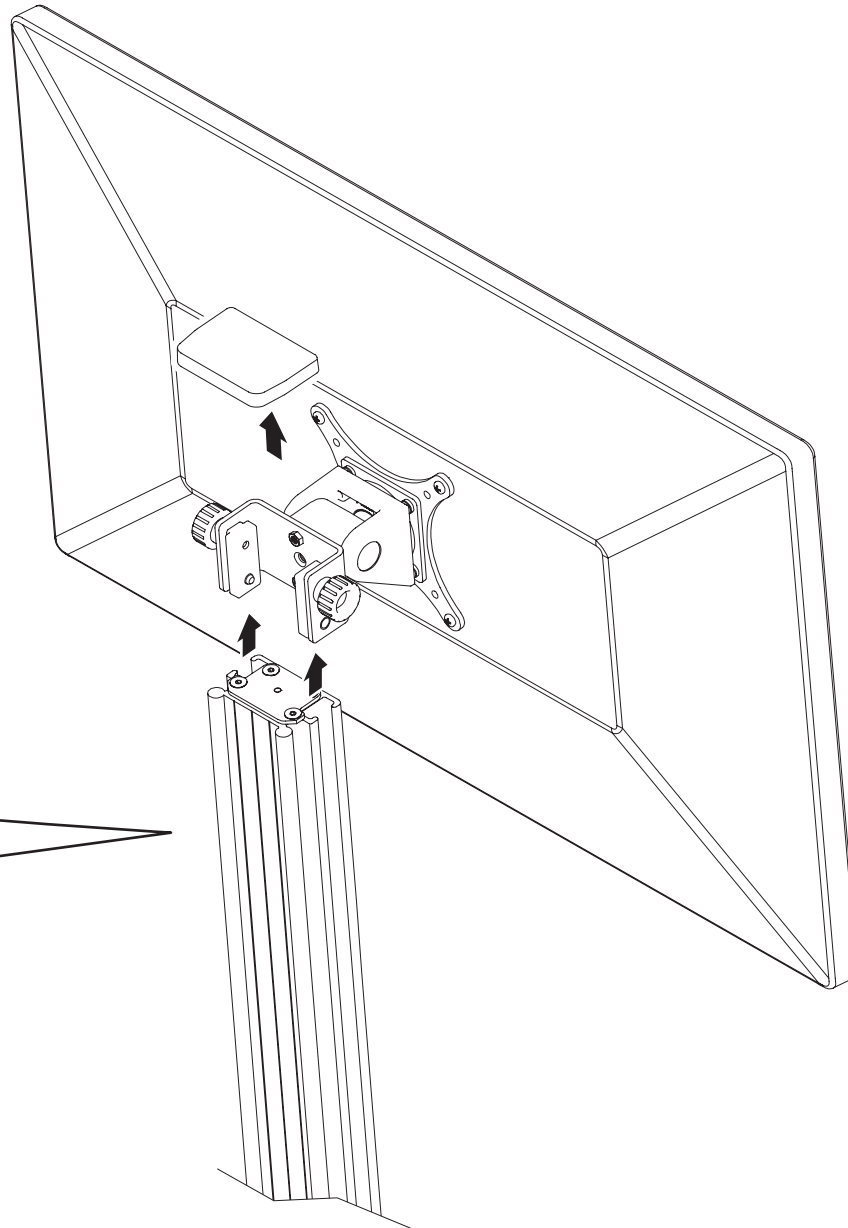
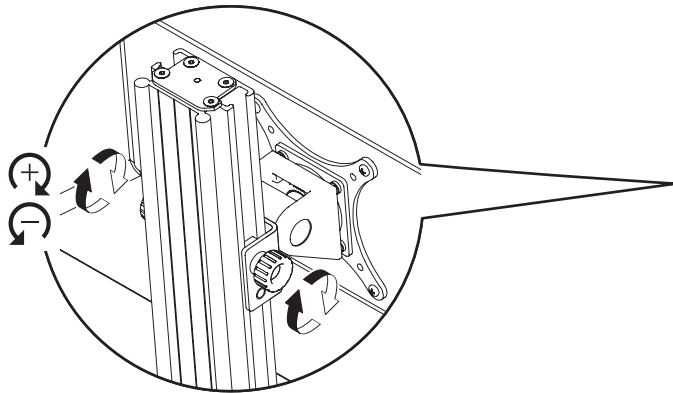


1

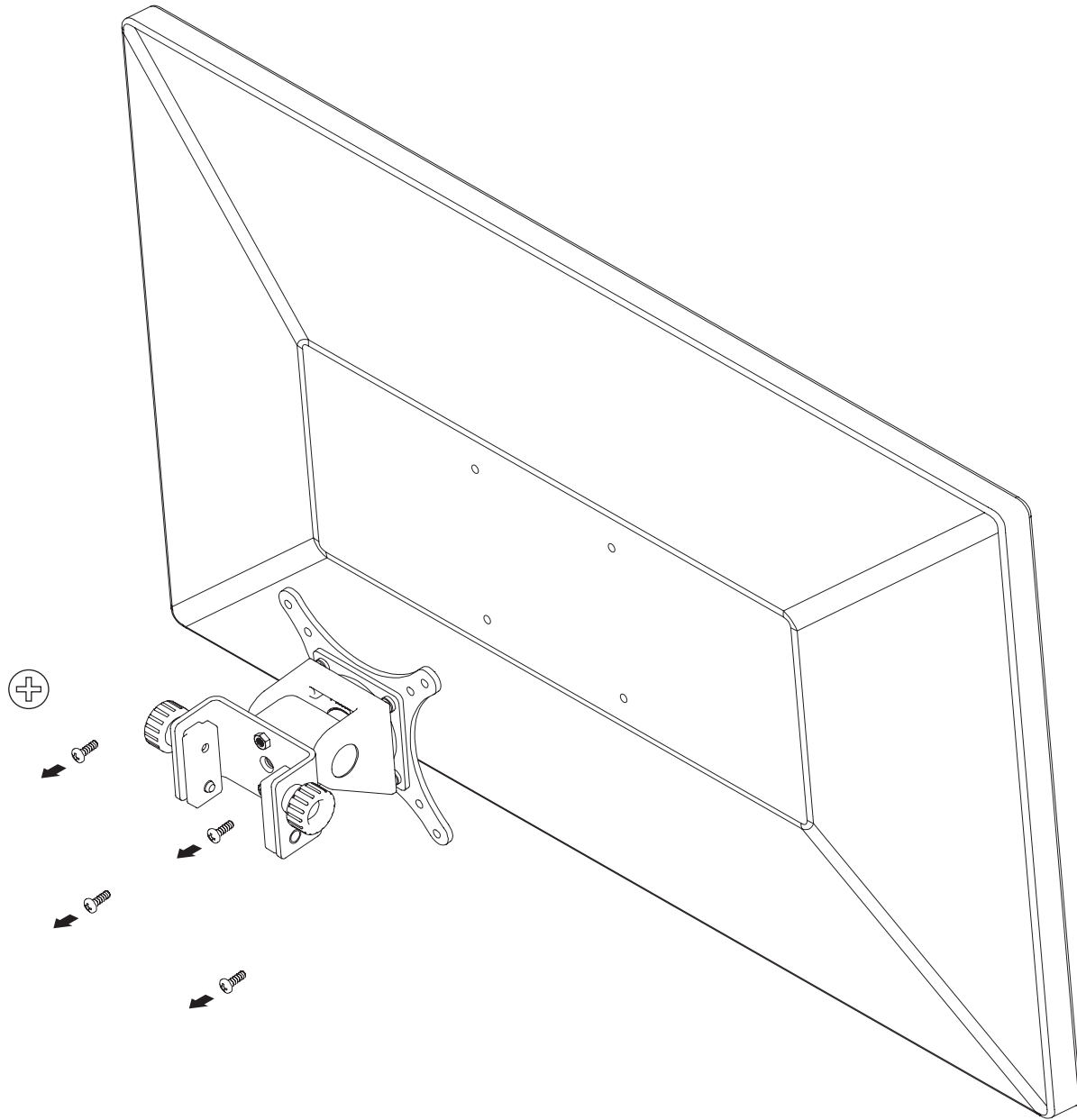


Please refer to your original product instructions for additional adjustments that may be needed after this assembly is complete.

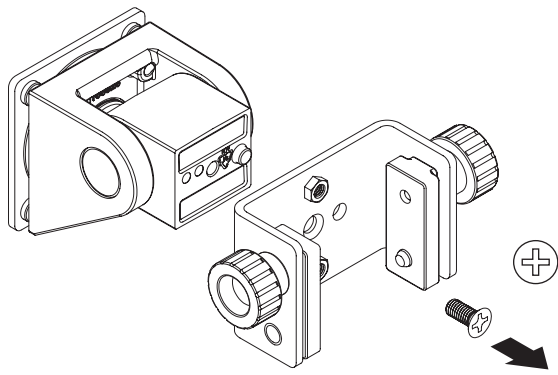
All product instructions are available for download at:
Innovatedw.com



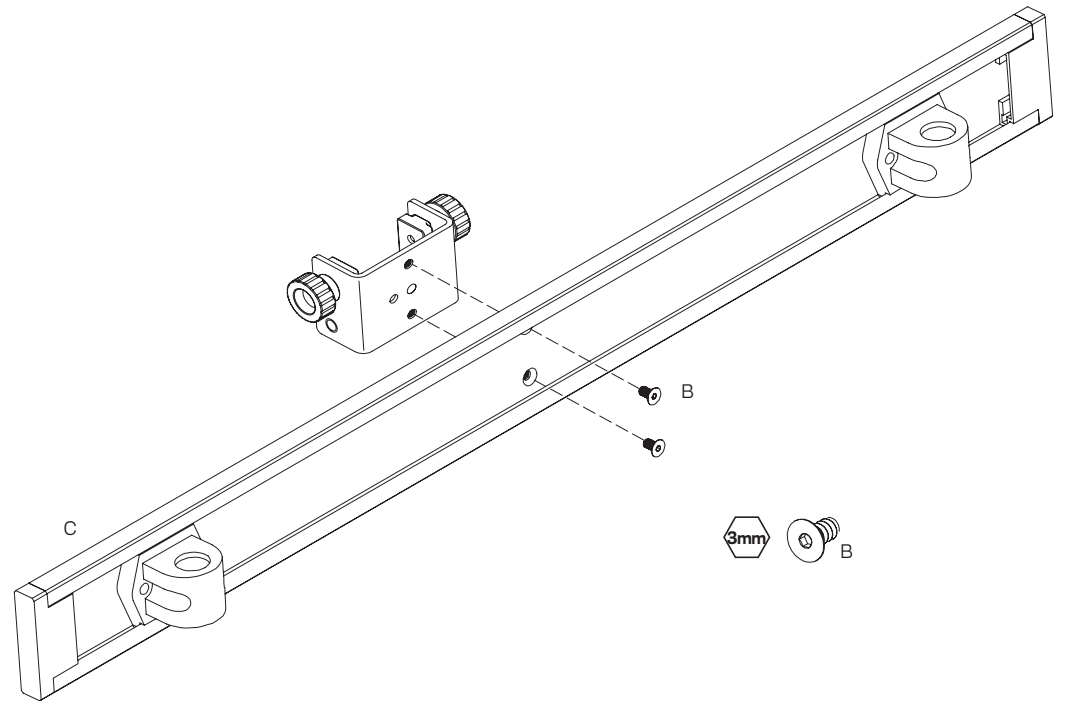
2



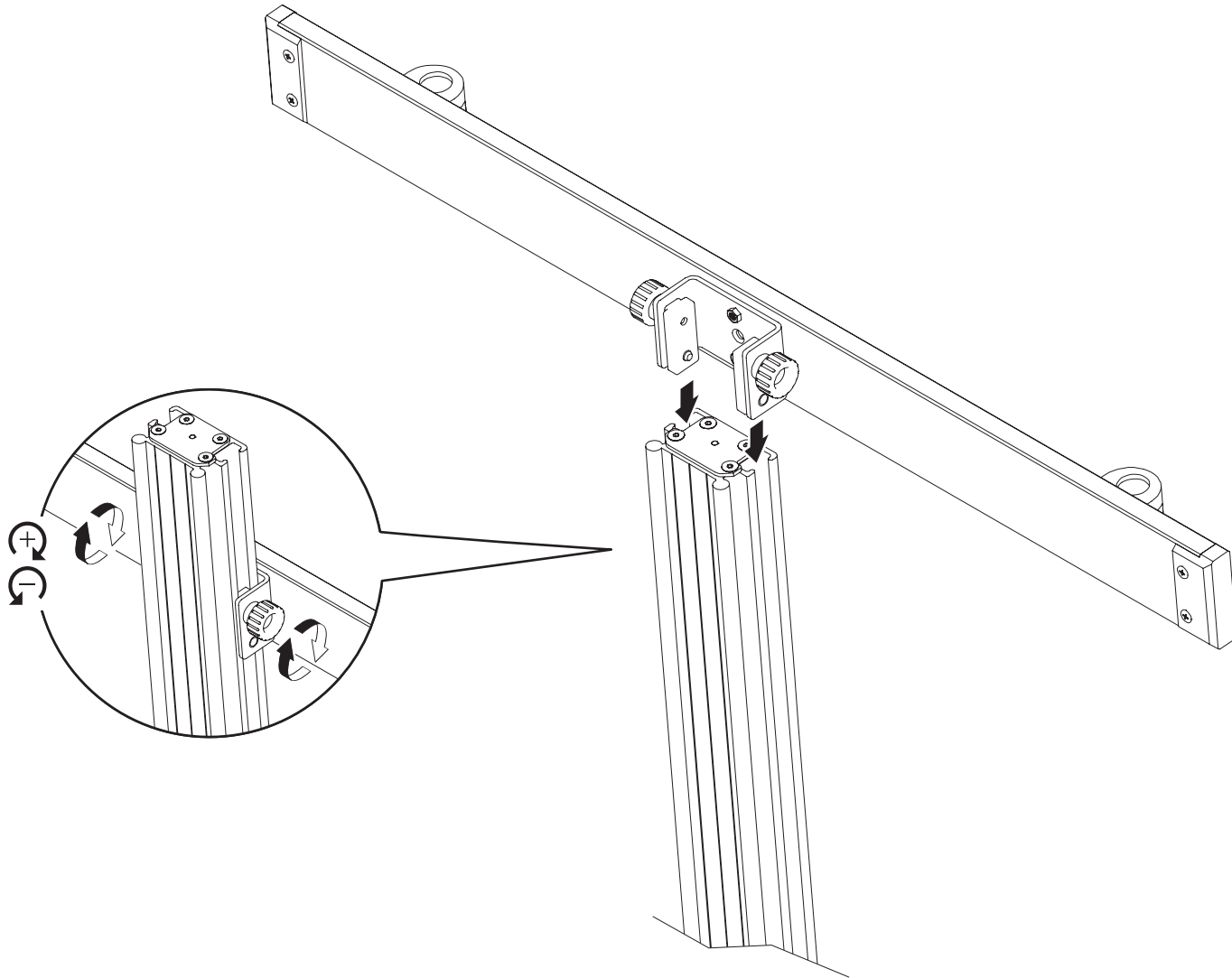
3



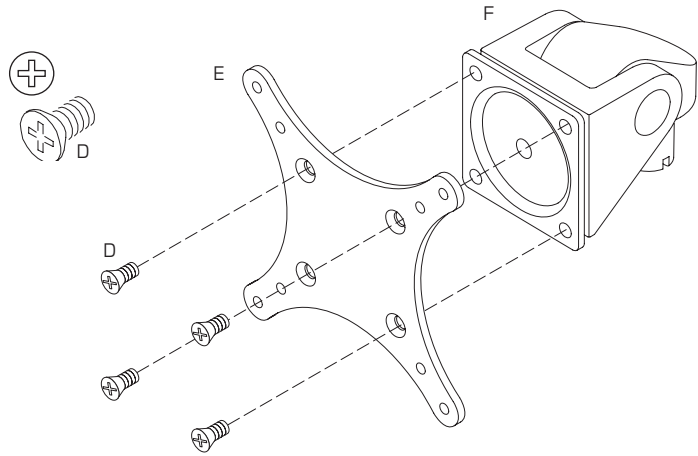
4



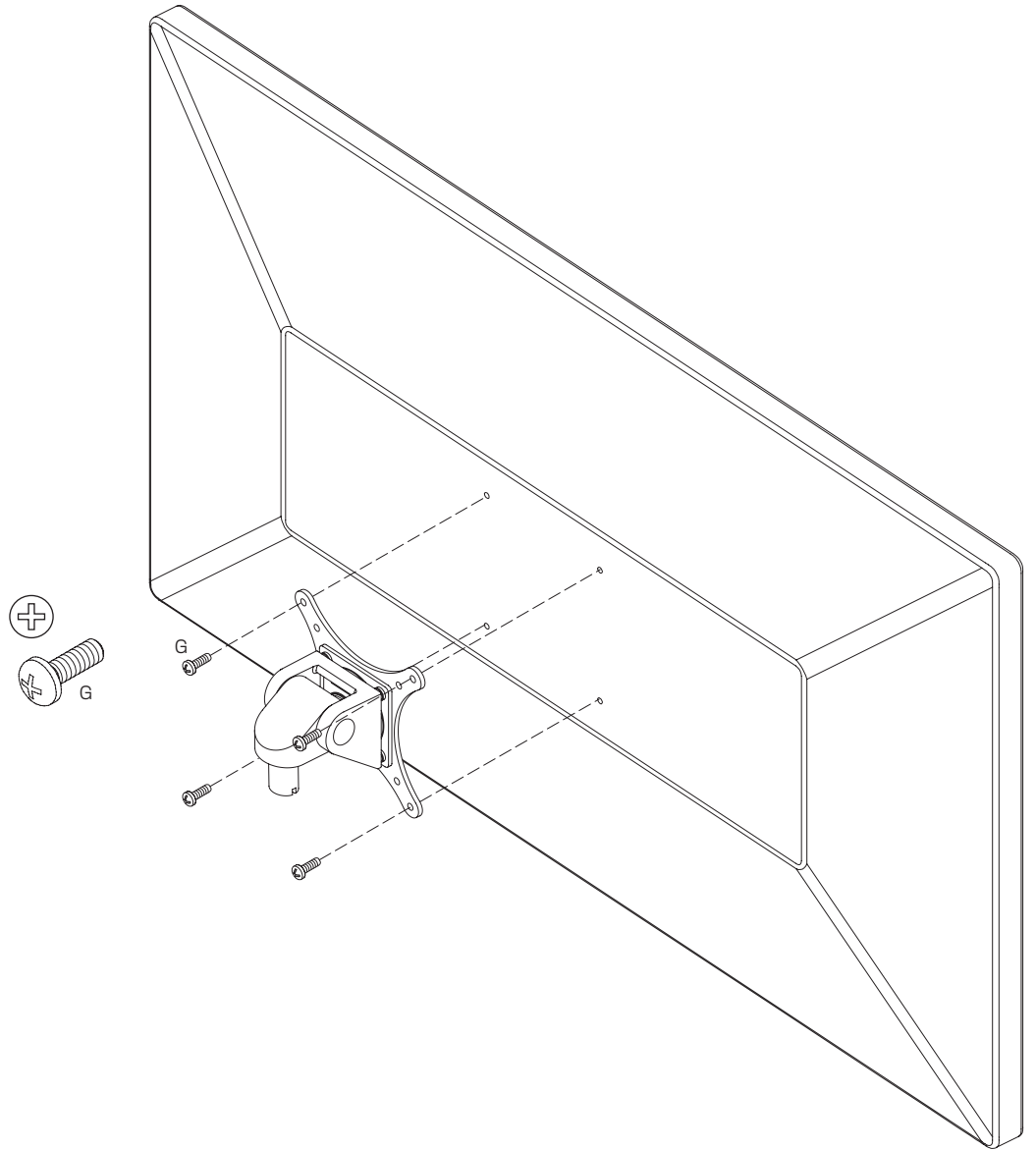
5



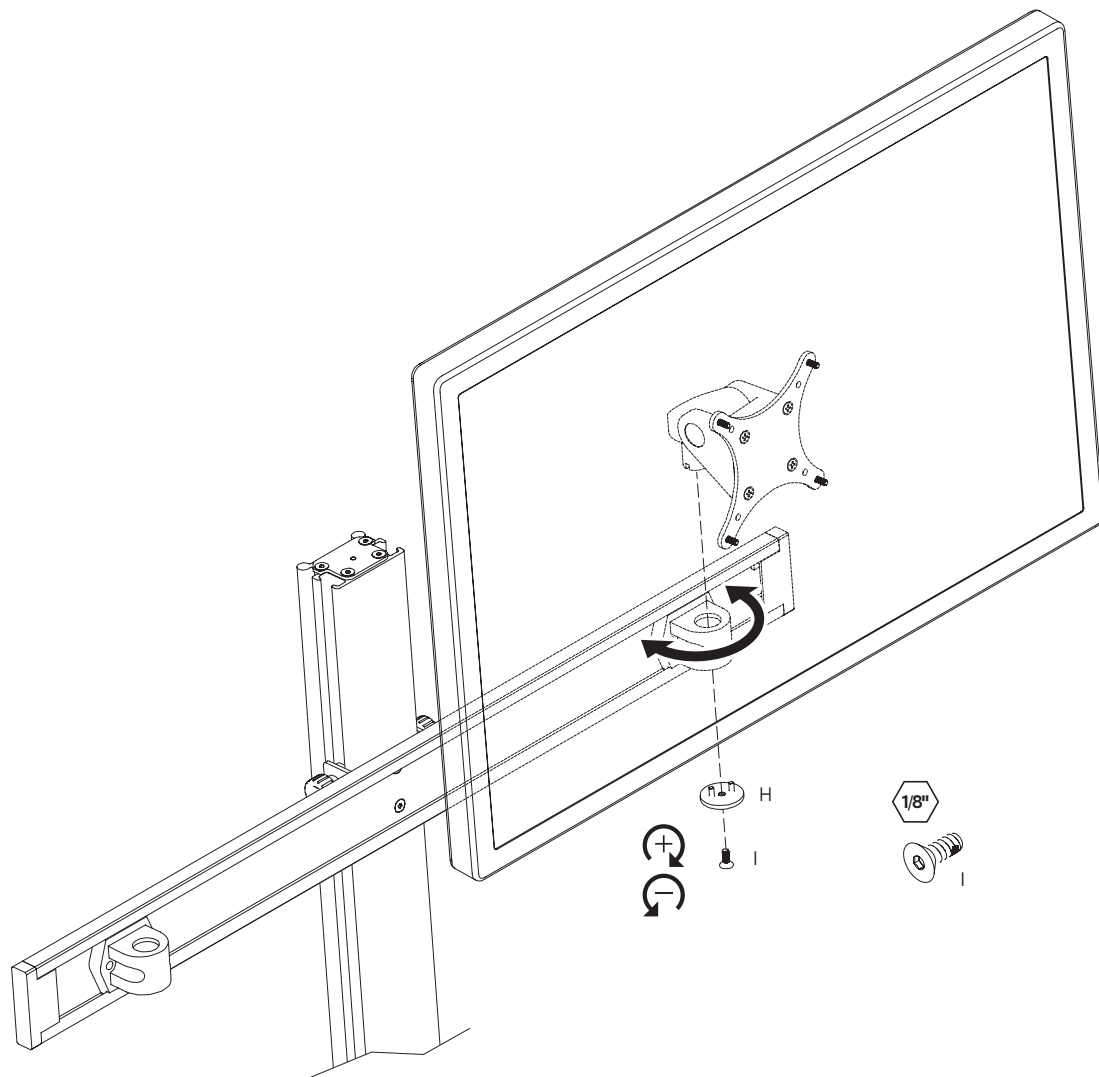
6



7



8



9

