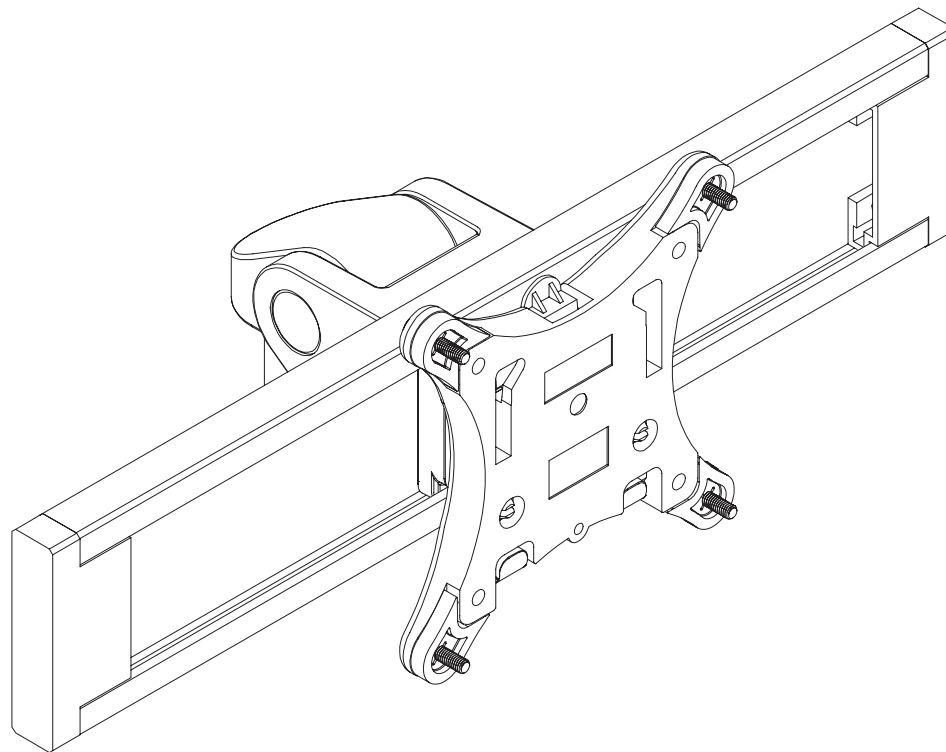


Model 8519-QR

Installation Instructions

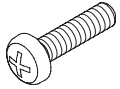
Innovative Ergonomic Solutions companies



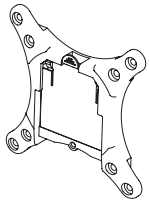
Model 8519-QR

Parts List

A M4 x 18mm Phillips Pan Head Screw 4x
704917



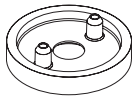
B Quick-Release VESA Adapter 1x
9VESA175



C Spacer 4x
104887



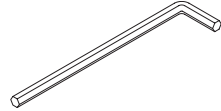
D Dog Washer 1x
105189



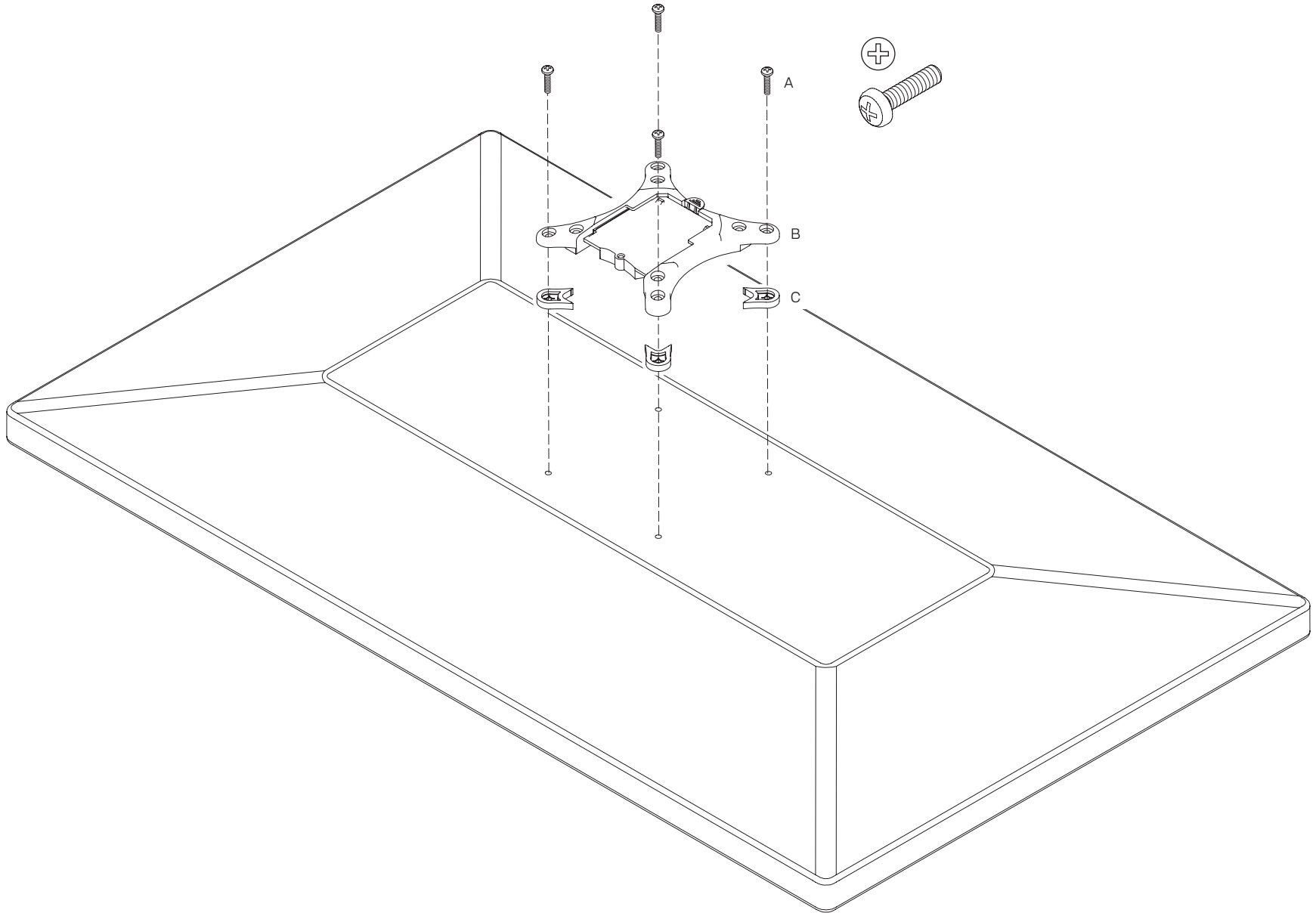
E 10-32 x 3/8" FPhMS w/Lock Patch 1x
705198



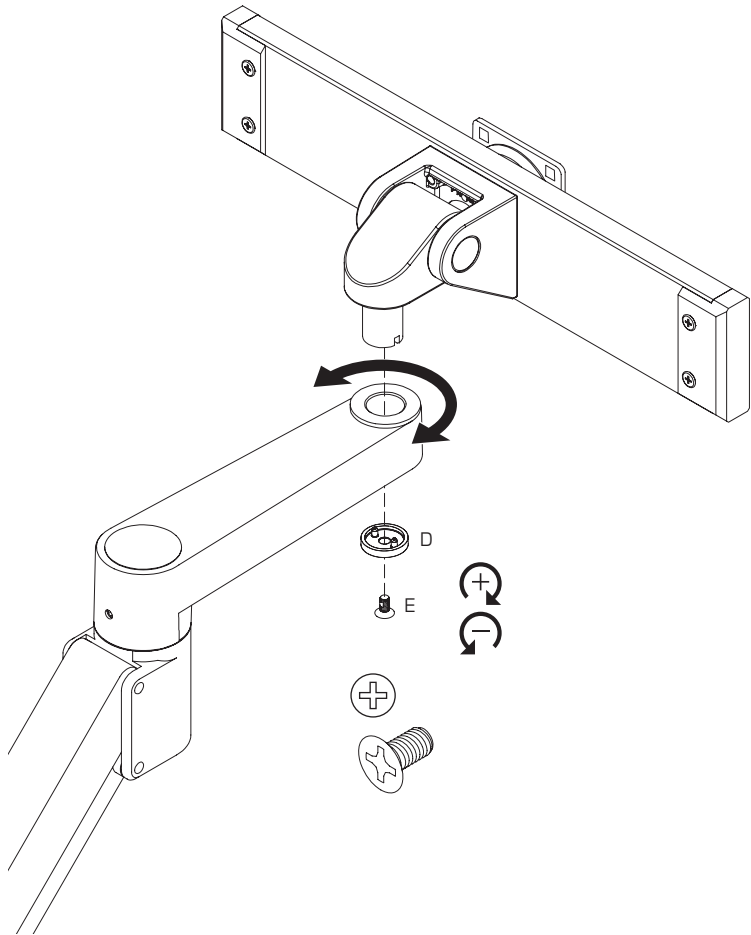
F 7/32" Allen Wrench 1x
701127



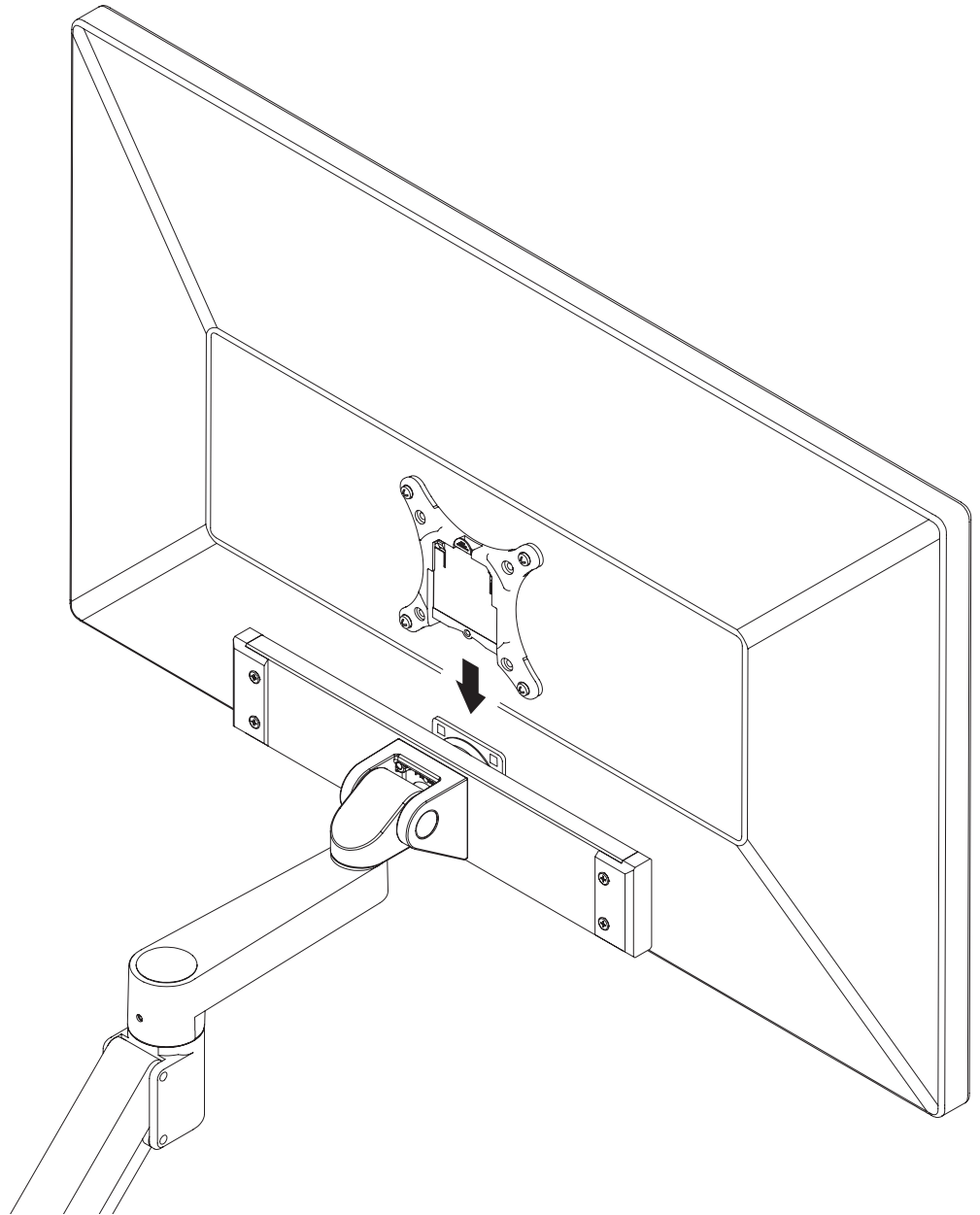
1



2



3



4

