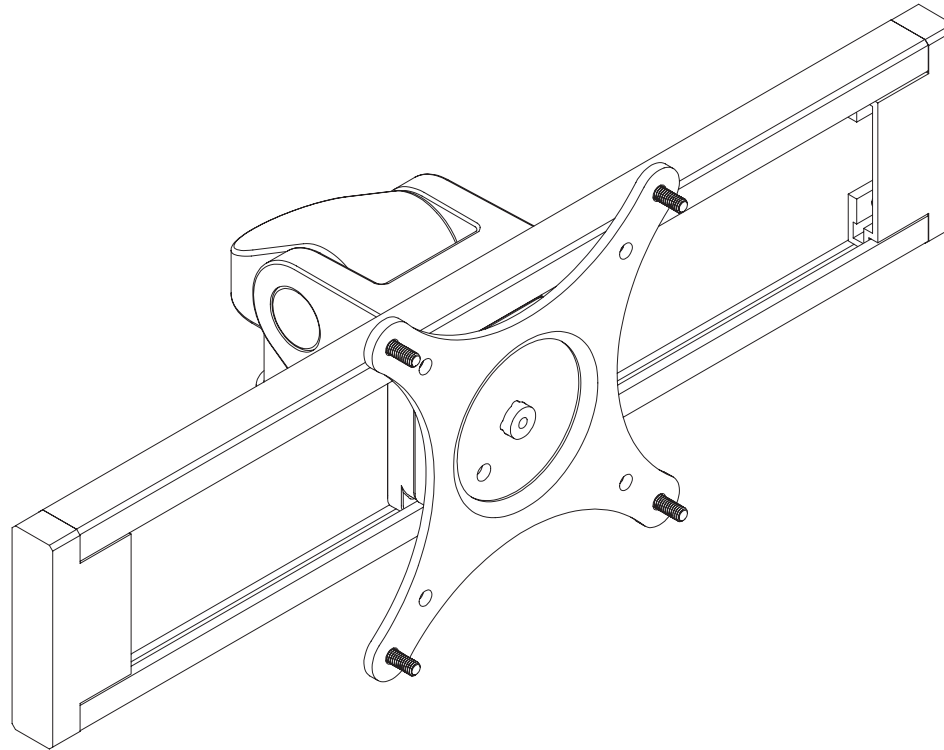


# Model 8519

## Installation Instructions

Innovative Ergonomic Solutions companies



# Model 8519

## Parts List

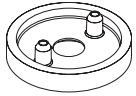
---

A M4 x 12mm Phillips Pan Head Screw (4-pack) 1x  
702096



---

B Dog Washer 1x  
105189



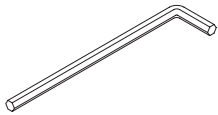
---

C 10-32 x 3/8" FPhMS w/Lock Patch 1x  
705198

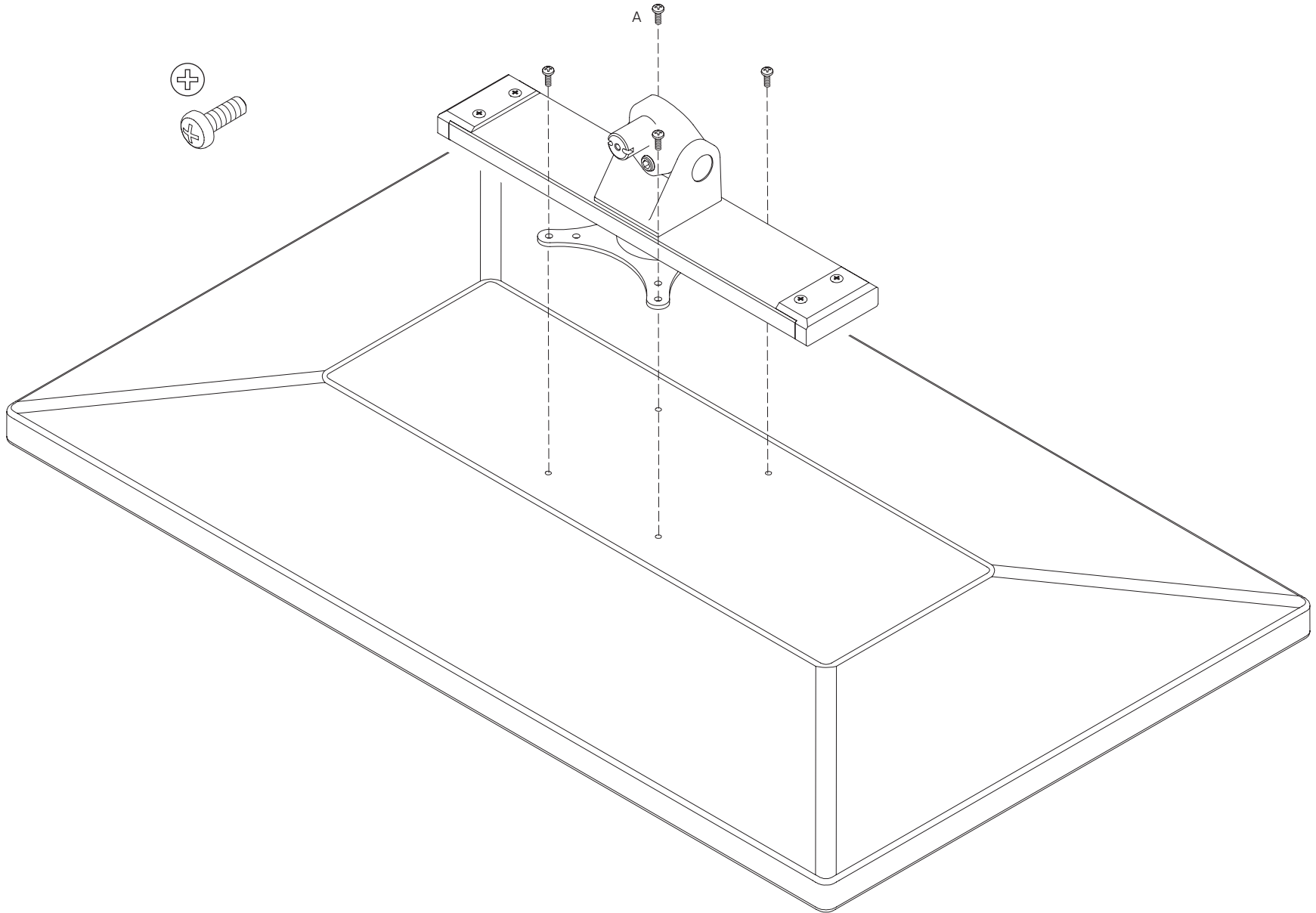


---

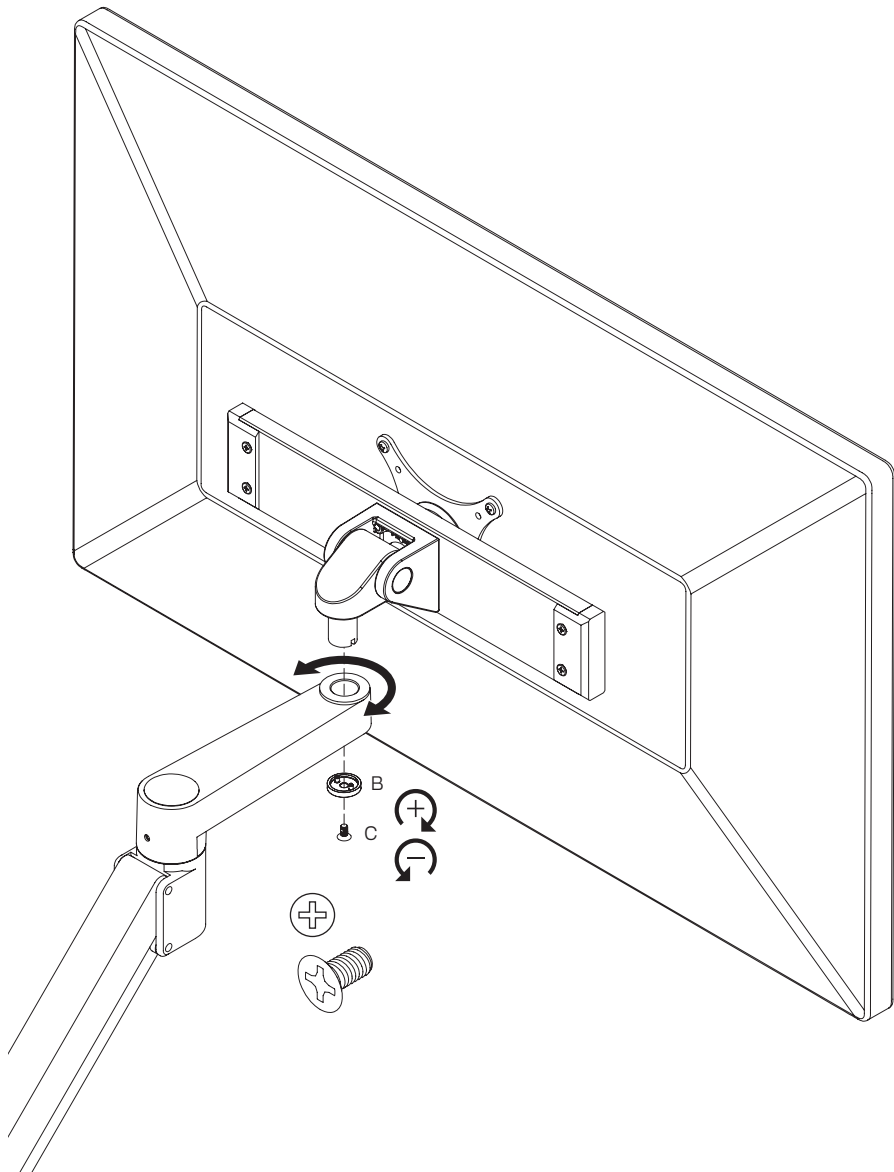
D 7/32" Allen Wrench 1x  
701127



1



2



3

