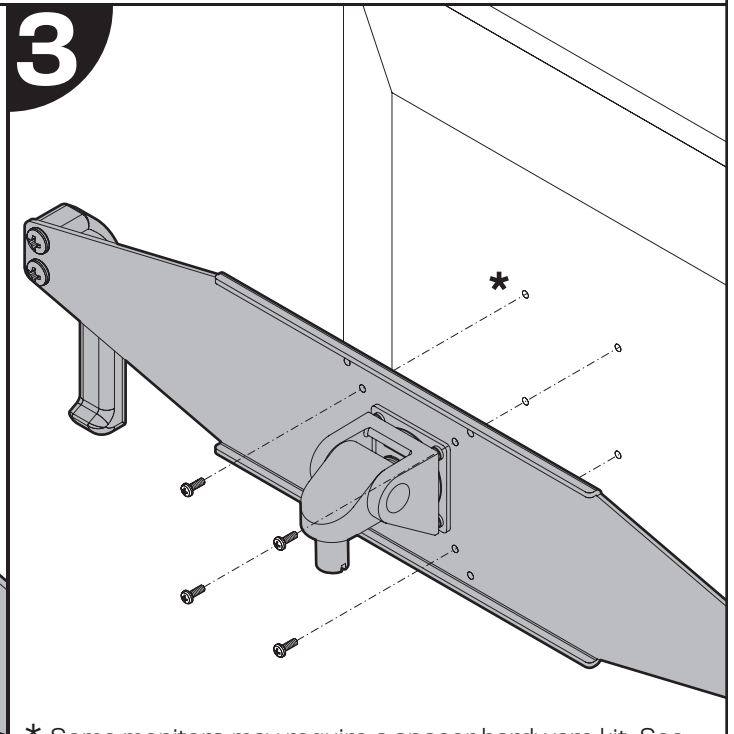
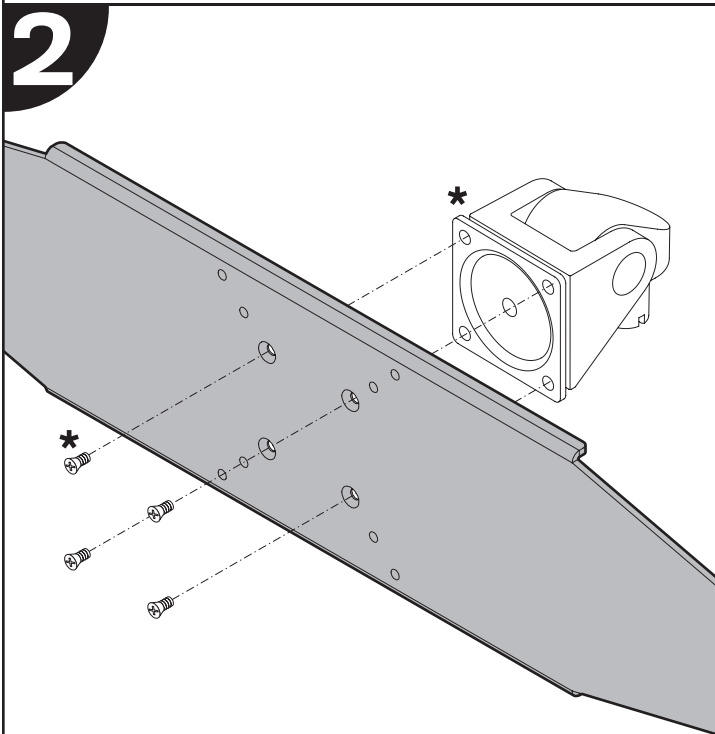
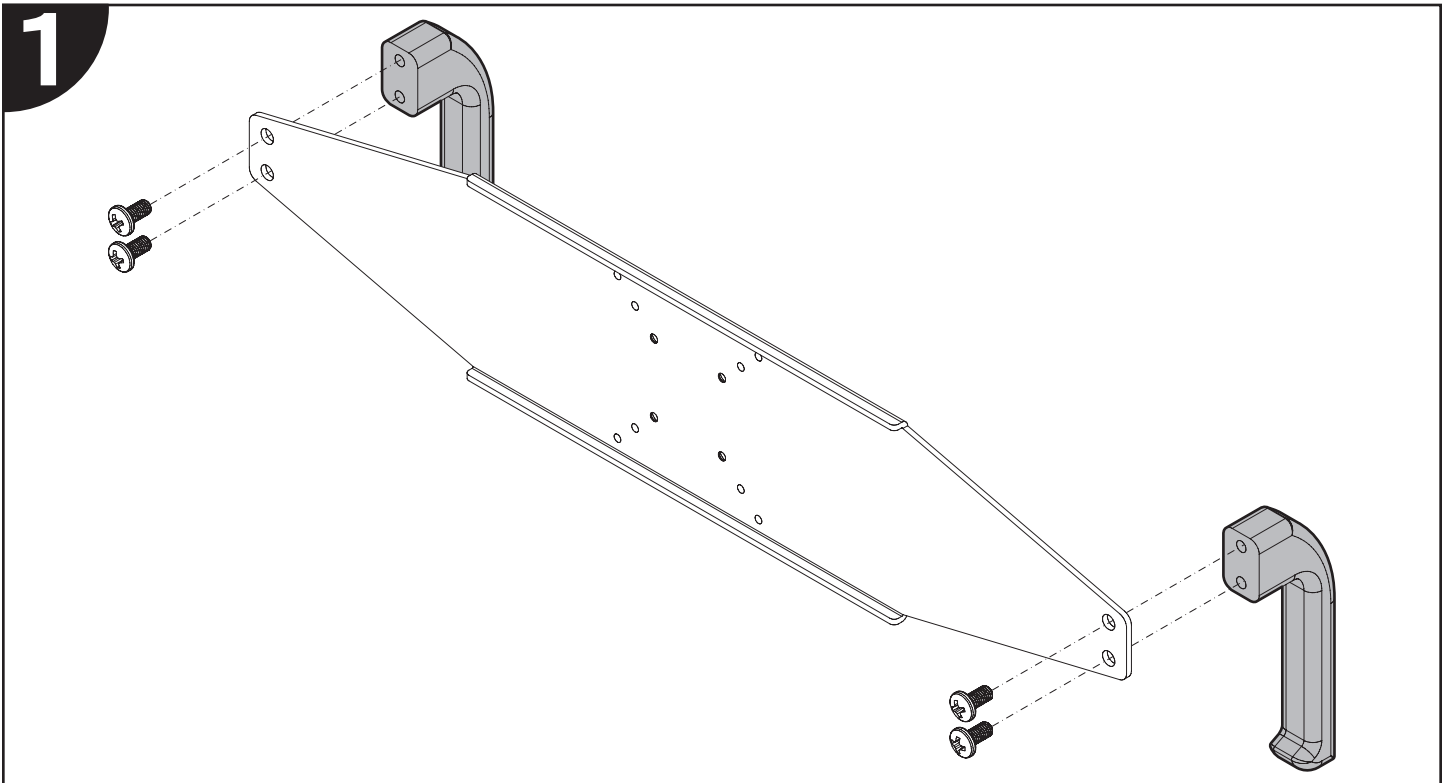


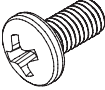
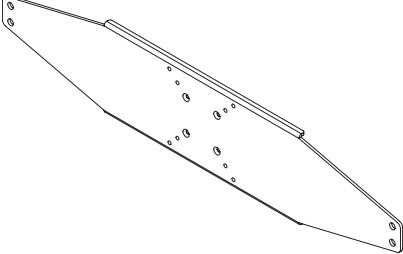
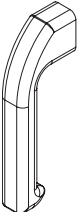
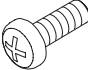
# Model 8409 Installation Instructions



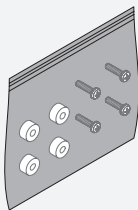
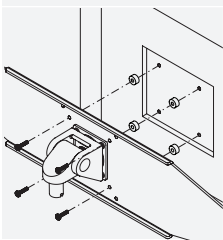
\* Not included with model 8409.

\* Some monitors may require a spacer hardware kit. See page 2 for details.

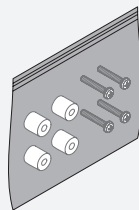
# Model 8409 Parts List

ITEM	DESCRIPTION / PART NO.	QUANTITY
<b>A</b>  	<b>M8-1.25 x 16mm Phillips Pan Head Screw</b> 709214	<b>4</b>
<b>B</b>  	<b>Small Handle Set Monitor Plate</b> 109075	<b>1</b>
<b>C</b>  	<b>Heavy Duty Aluminum Handle</b> 704034	<b>2</b>
<b>D</b>  	<b>M4 x 12mm Phillips Pan Head Screw</b> 702096	<b>1 (4-pack)</b>

**OPTIONAL SPACER KITS** | In some cases, the mounting surface on your monitor may be recessed further than permitted by VESA® standards. As a result, a spacer kit may be required.



**.25" Spacer Hardware Kit**  
 (4) .25" Spacers  
 (4) M4 x 18mm Phillips Pan Head Screws  
 Order # P404923-B



**.5" Spacer Hardware Kit**  
 (4) .5" Spacers  
 (4) M4 x 25mm Phillips Pan Head Screws  
 Order # P404923-C