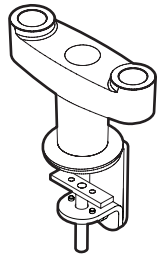


Innovative Ergonomic Solutions companies

MODEL 8408

Installation Instructions



Desk Edge

- 1
- 2
- 3

| Thru-Desk ^{8408-thru} | 8408-cup |
|---|---|
| <ol style="list-style-type: none"> 1 2 3 | <ol style="list-style-type: none"> 1 2 3 |

Grommet Hole

- 1
- 2
- 3


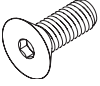

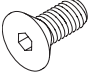
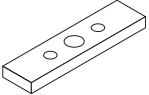
Side Bolt

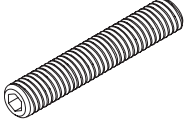
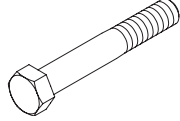
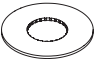
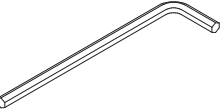
- 1
- 2

* Hardware not included.

MODEL 8408

Parts List

| ITEM QUANTITY | DESCRIPTION / PART NO. |
|--|---|
| A  | 3/8-16 Nylon Stop Nut 1 701418 |
| B  | 3/8-16 x 1-1/4" Flat Socket Cap Screw 1 701855 |
| C  | Foam Pad 1 701565 <i>Included with Models 8408 & 8408-thru only</i> |
| D  | 3/8-16 x 7/8" Flat Socket Cap Screw 1 701799 |
| E  | Rectangular Spacer 1 701544 |

| ITEM QUANTITY | DESCRIPTION / PART NO. |
|--|--|
| F  | 1/2-13 x 3" Socket Set Screw 1 701126 |
| G  | 3/8-16 x 2-1/2" Hex Head Bolt 1 700268 <i>Included with Models 8408-thru & 8408-cup only</i> |
| H  | Foam Pad 1 701120 <i>Included with Model 8408-cup only</i> |
| I  | 7/32" Allen Wrench 1 701127 |