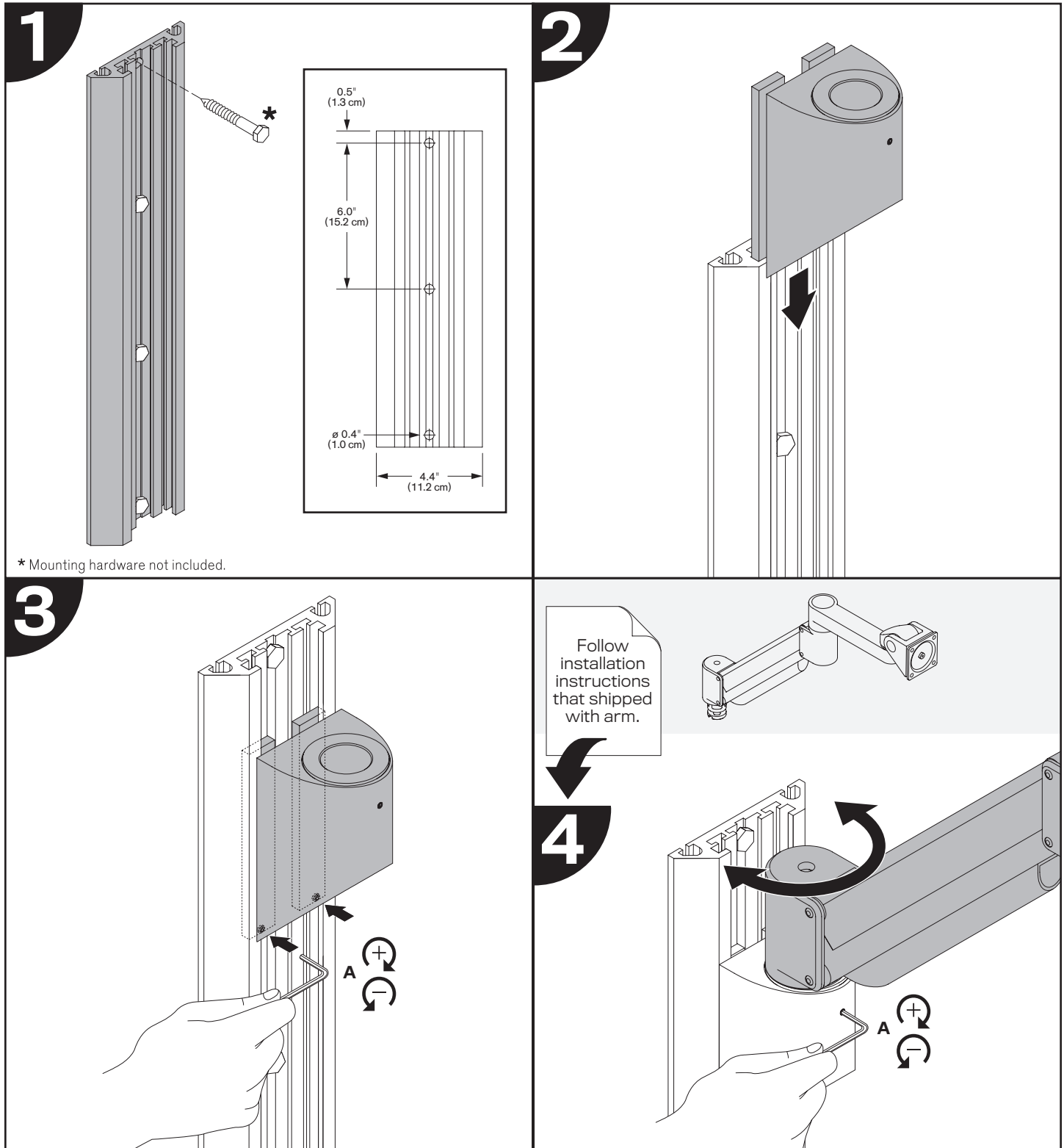


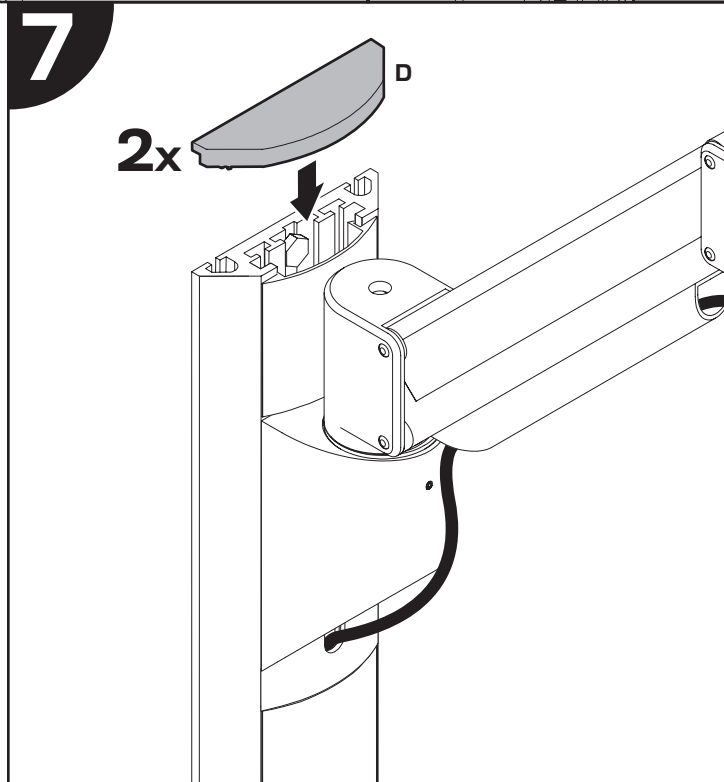
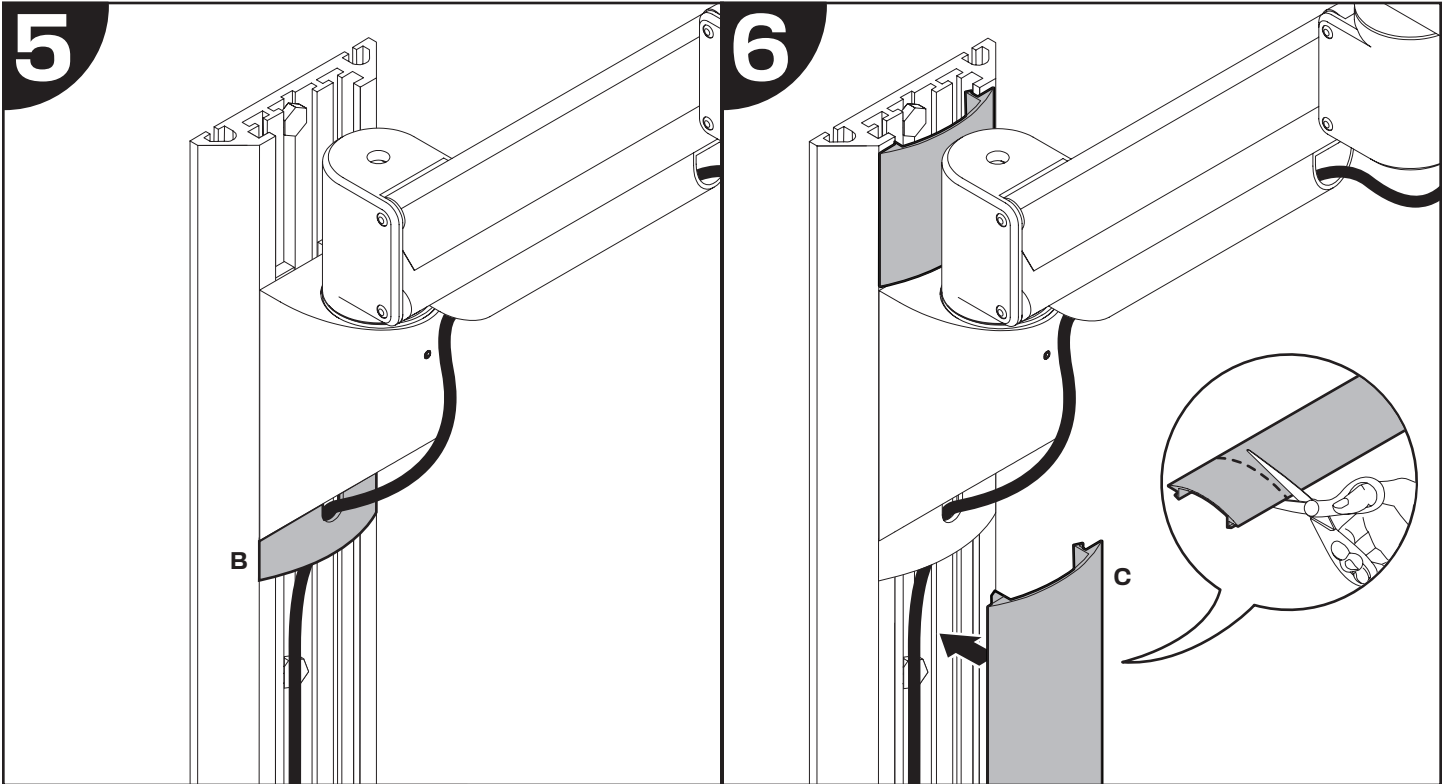
Innovative Ergonomic Solutions companies

# VERTICAL MOUNTING TRACK

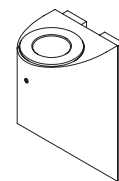


\* Mounting hardware not included.

Follow installation instructions that shipped with arm.

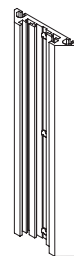


# MODEL 8328



ITEM	DESCRIPTION / PART NO.	QUANTITY
A	<b>3/32" Allen Wrench</b> 700146	1
B	<b>Track Mount Cable Cap</b> 104599	1

# MODEL 8326



ITEM	DESCRIPTION / PART NO.	QUANTITY
C	<b>Track Cable Cap</b> 104985	1
D	<b>Track End Cap</b> 104596	2