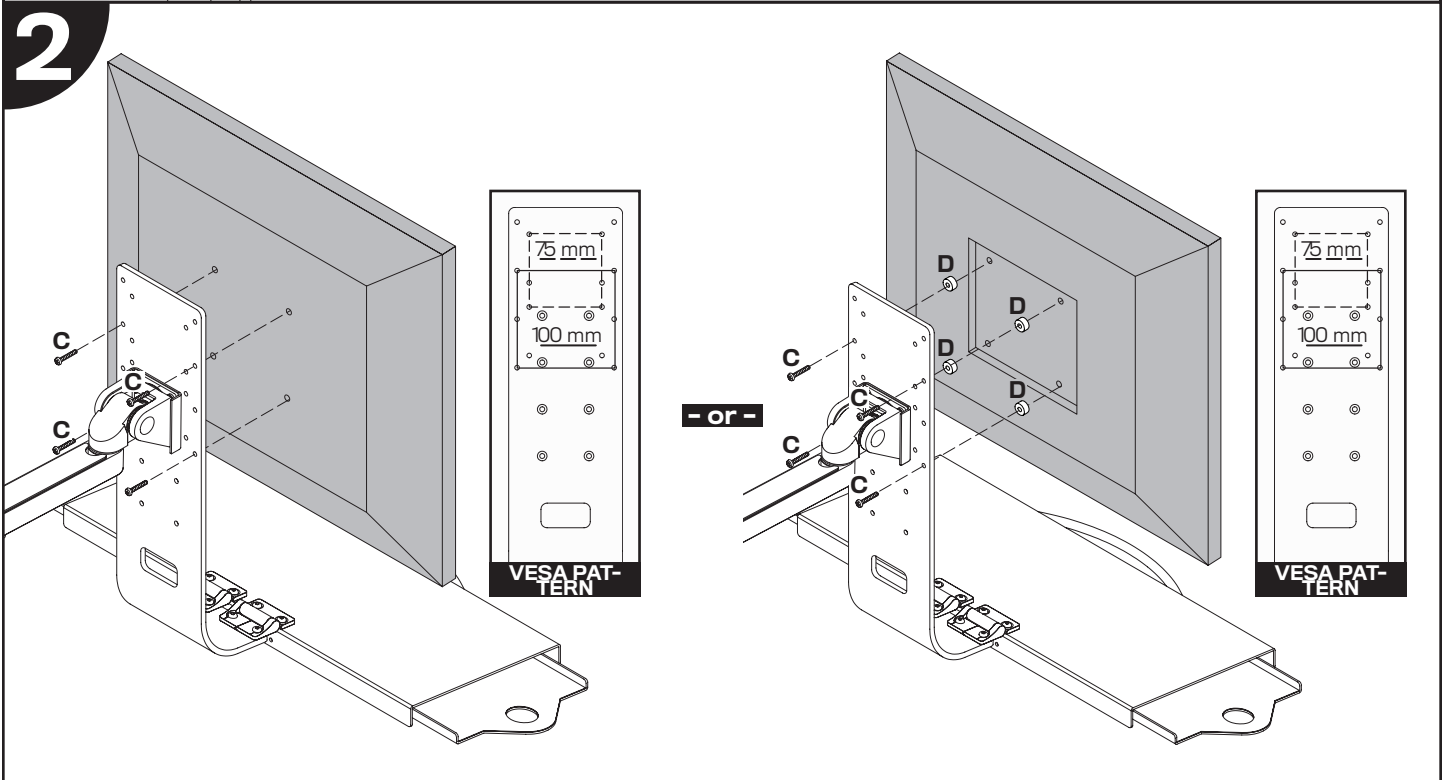
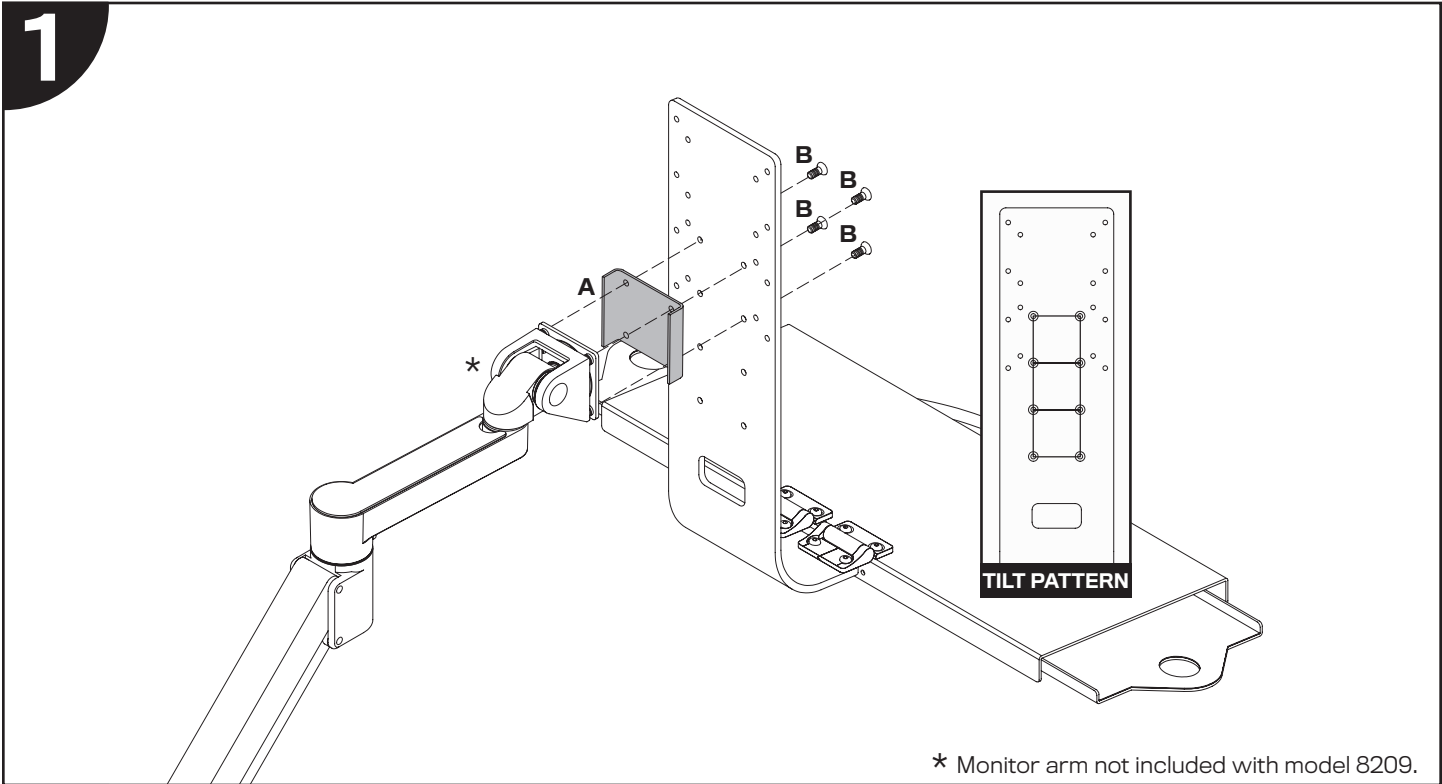
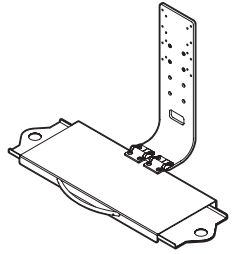
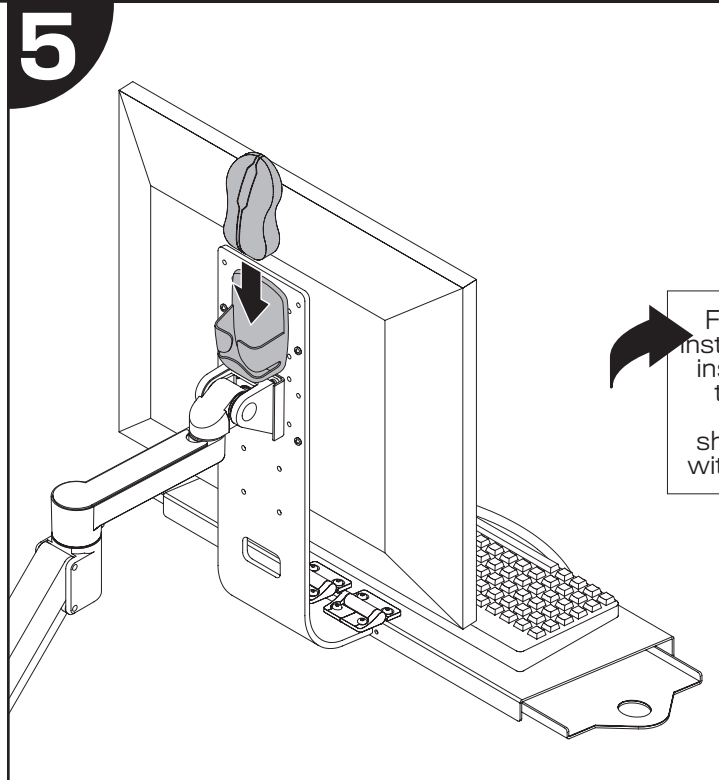
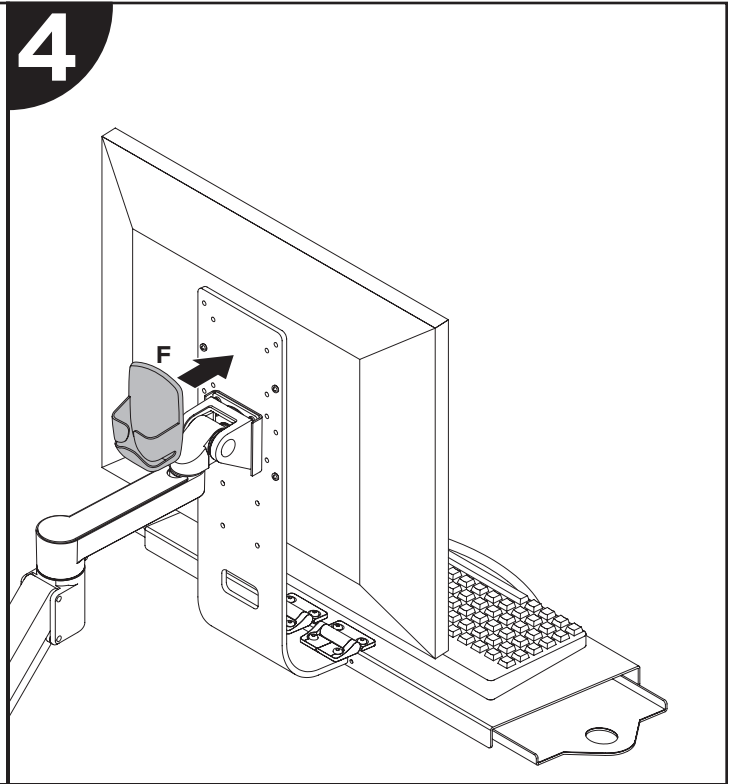
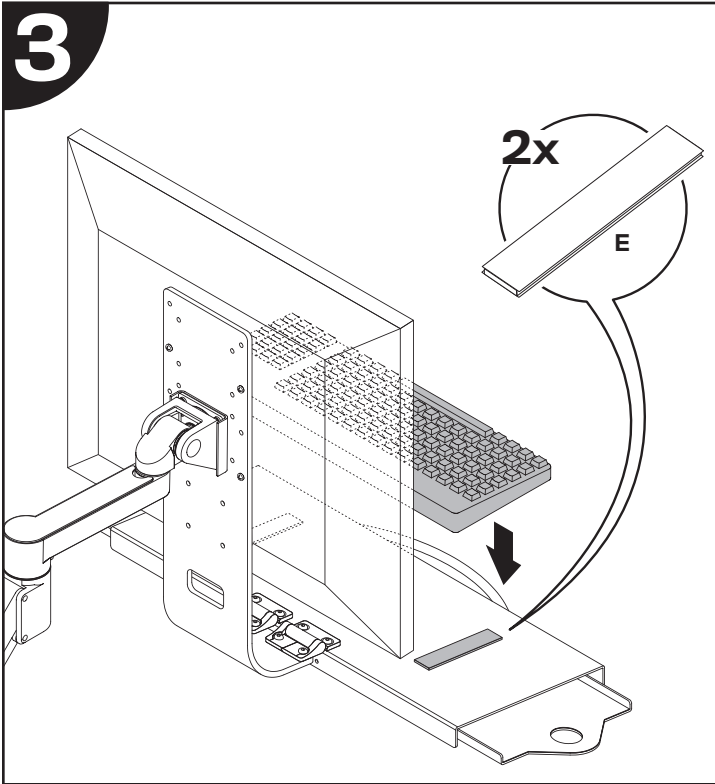


Innovative Ergonomic Solutions companies

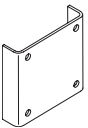

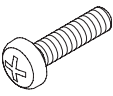
MODEL 8209

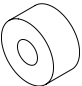
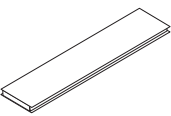





Follow installation instructions that shipped with arm.

MODEL 8209

ITEM	DESCRIPTION / PART NO.
A 	Rotation Prevention Bracket 1 702949
B 	10-32 x 5/8" Phillips Flat Head Screw 4 702200
C 	M4 x 18mm Phillips Pan Head Screw 4 704917

ITEM	DESCRIPTION / PART NO.
D 	1/2" Standoff 4 704920
E 	Velcro 2 701174
F 	Mouse Holder w/Velcro Strip 1 704275