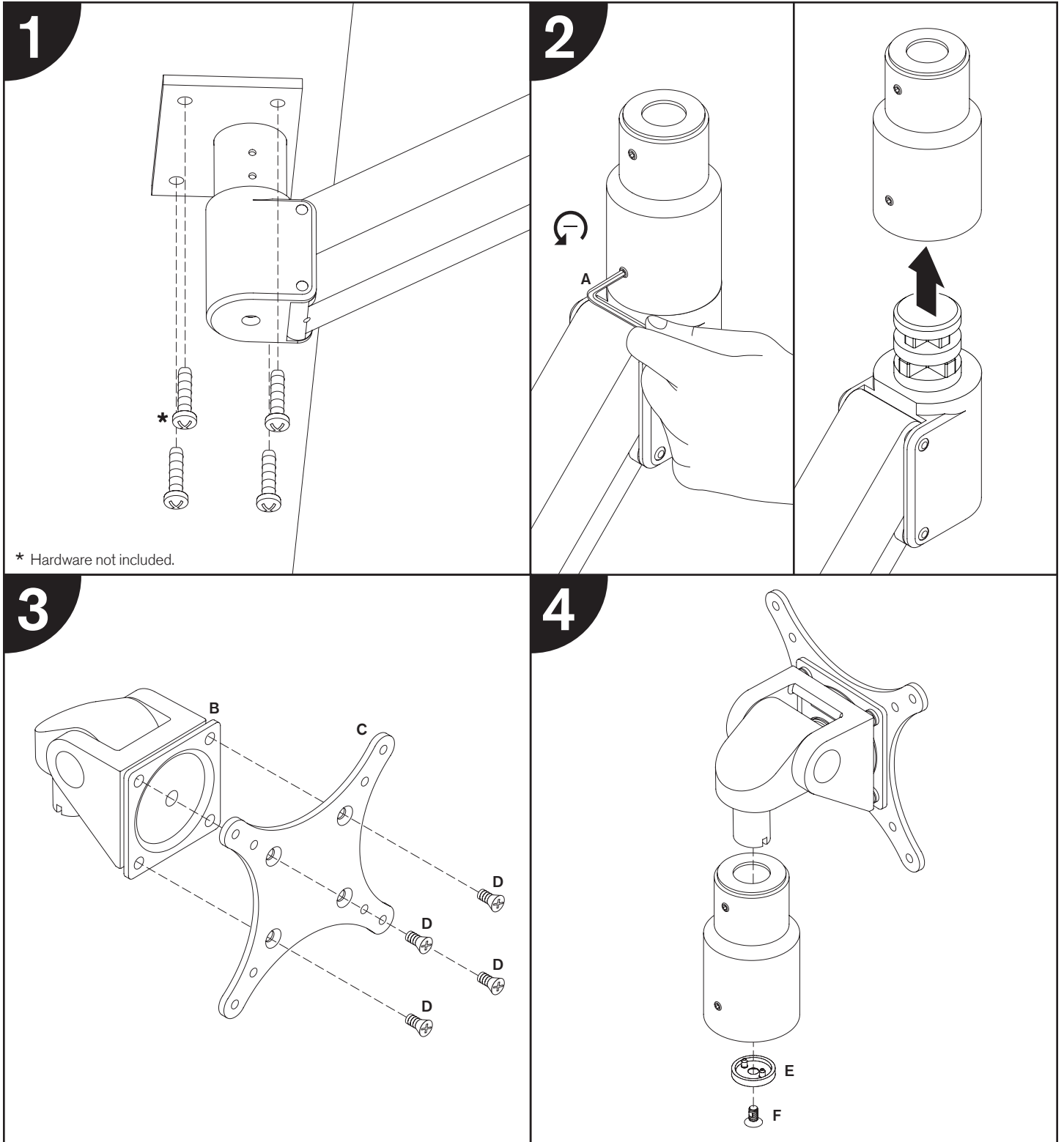
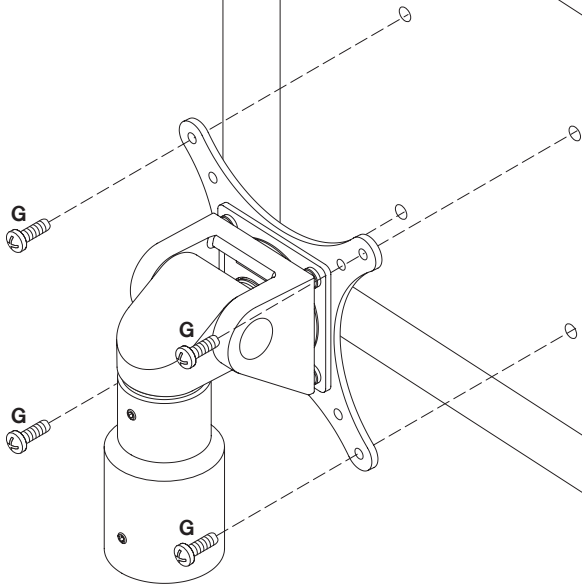


Innovative Ergonomic Solutions companies

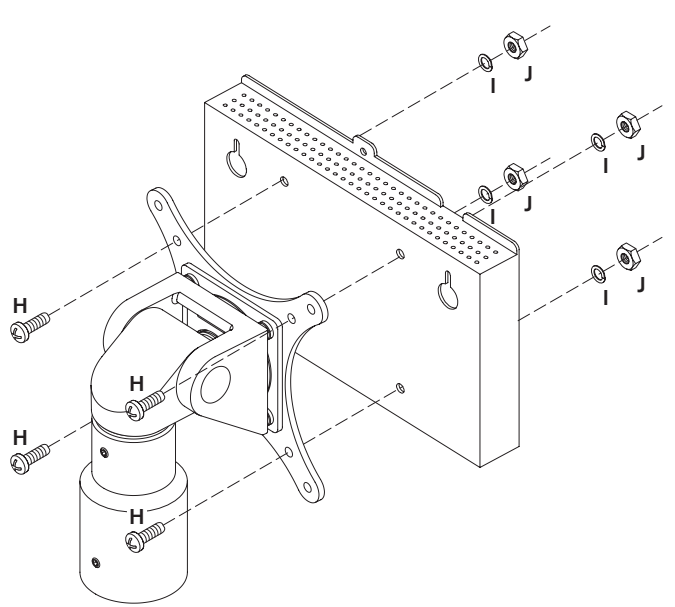


5



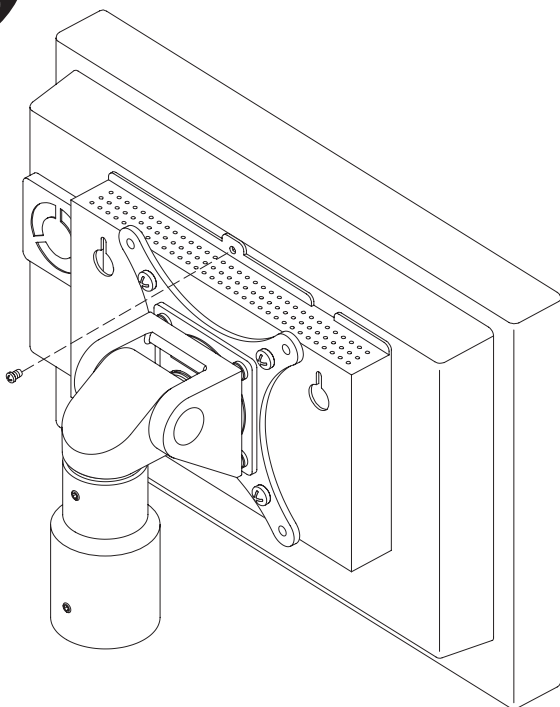
6a

Are you installing a Mintronix monitor?
If not, skip to step 7.

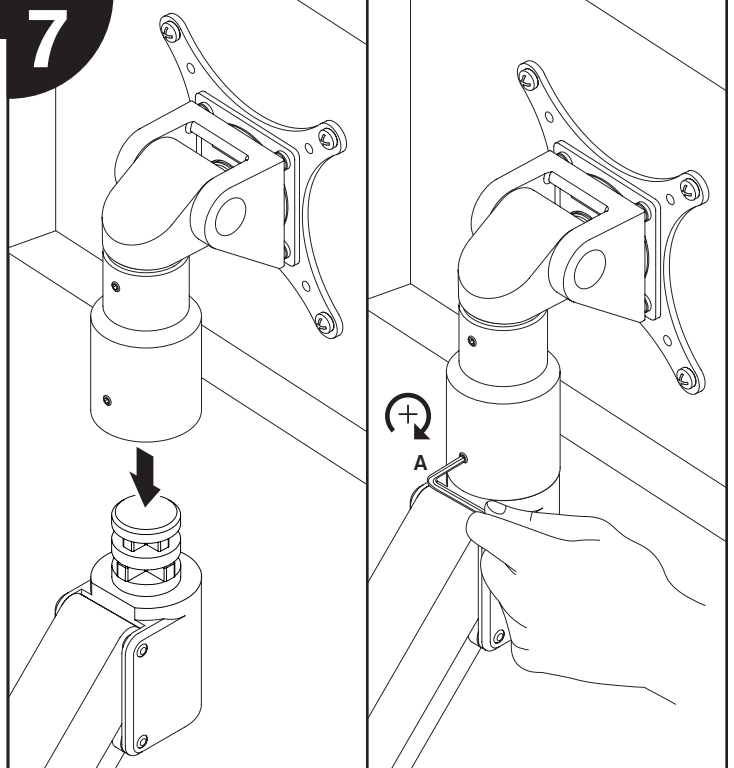


6b

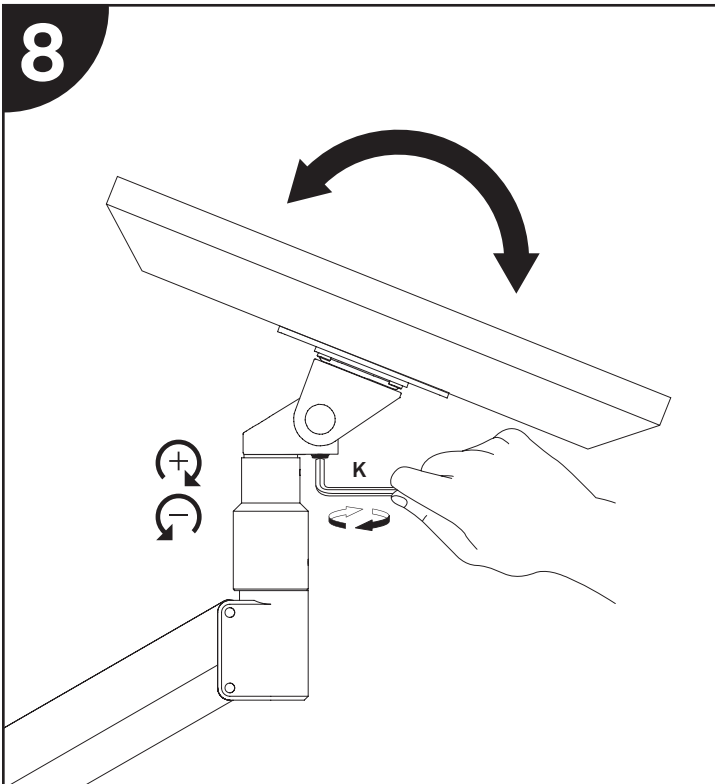
For Mintronix users only.



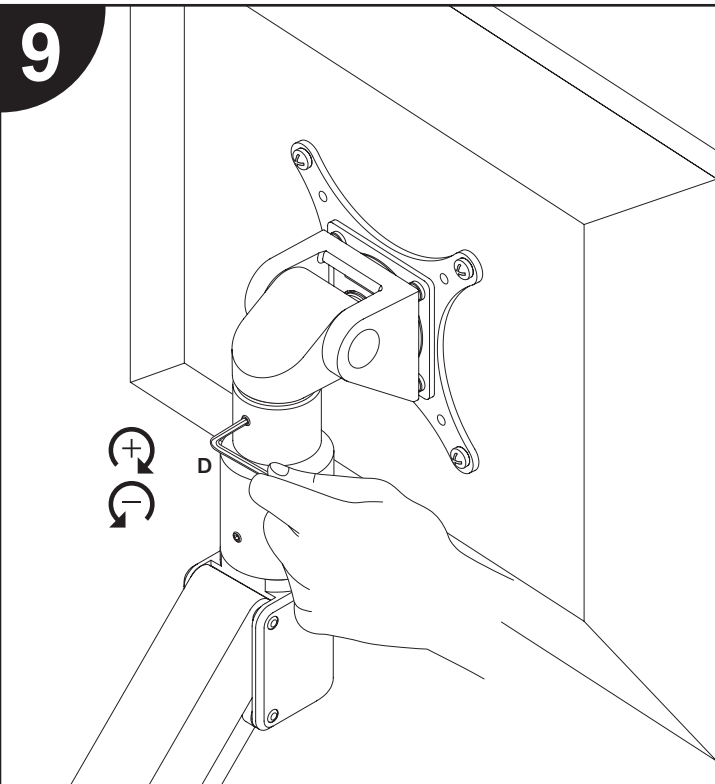
7



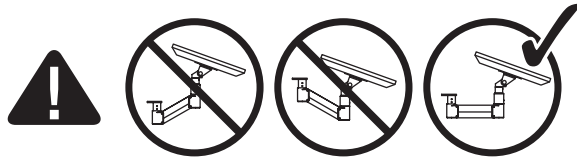
8



9

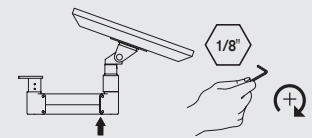


10

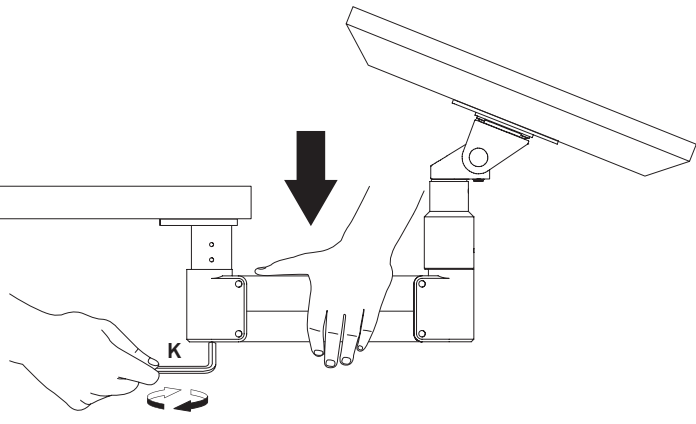


In some instances, an additional counterbalance adjustment may be needed to allow the arm's instant height adjustment function to work properly.

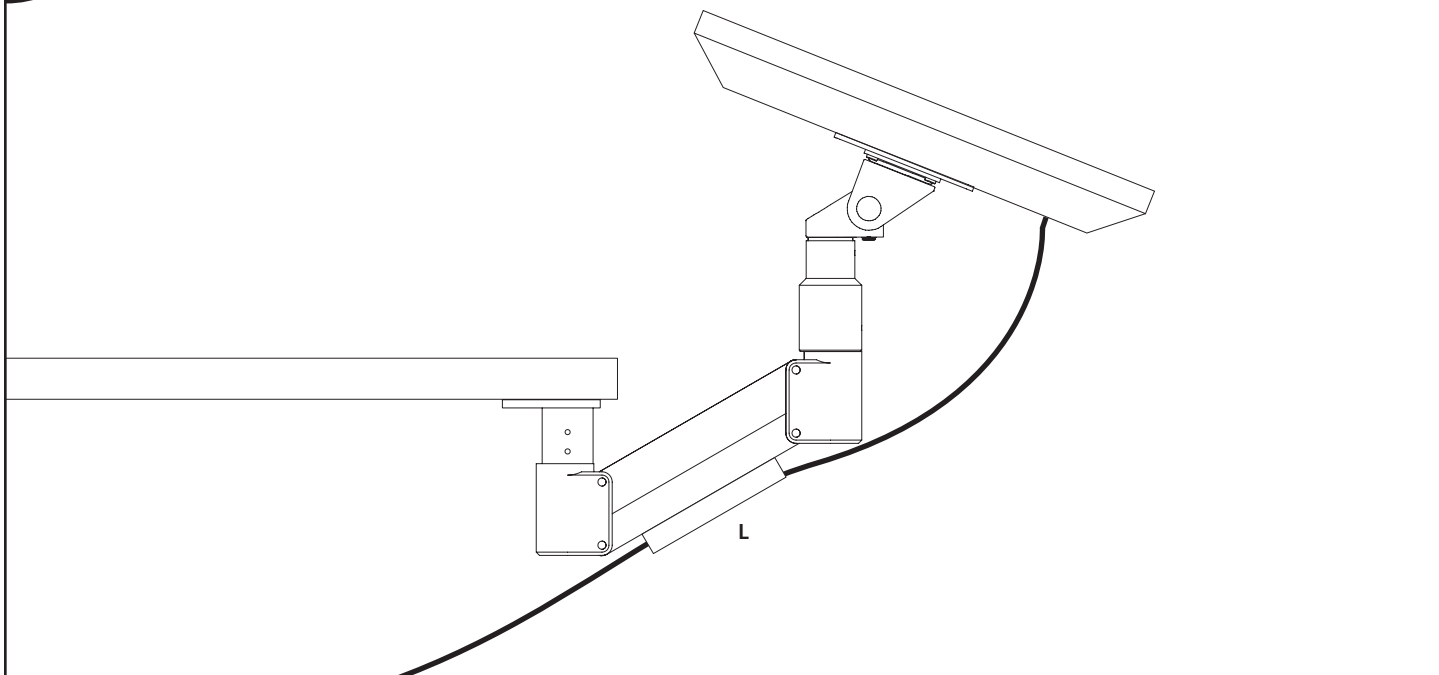
If your arm is not staying in position after performing step 10, tighten the adjustment screw with a 1/8" Allen wrench (not included).



Tighten the adjustment screw.



11


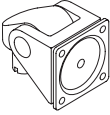


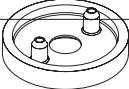
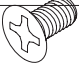


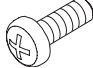
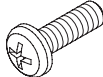


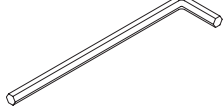
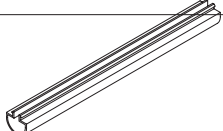
Innovative Ergonomic Solutions
800 524 2744
customerservice@team-ies.com
team-ies.com

HAT Collective
408 437 8770
cs@hatcollective.com
hatcollective.com

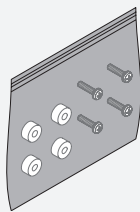
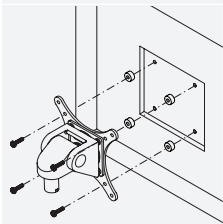
MODEL 3520

Parts List

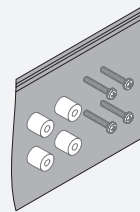
ITEM	DESCRIPTION / PART NO.	QUANTITY
A 	3/32" Allen Wrench 700146	1
B 	Monitor Tilter 405397	1
C 	75/100mm VESA® Adapter Plate 105587	1
D 	10-32 x 3/8" Phillips Pan Head Screw 702281	1 (4-pack)
E 	Dog Washer 105189	1
F 	10-32 x 3/8" FPHMS w/Lock Patch 705198	1

ITEM	DESCRIPTION / PART NO.	QUANTITY
G 	M4 x 12mm Phillips Pan Head Screw 702096	1 (4-pack)
H 	8-32 x 1/2 PPhMS 705289	4
I 	Split Washer 701910	4
J 	8-32 Nut 705290	4
K 	7/32" Allen Wrench 701127	1
L 	Cable Cap 106457-9.5	1

OPTIONAL SPACER KITS In some cases, the mounting surface on your monitor may be recessed further than permitted by VESA® standards. As a result, a spacer kit may be required.



.25" Spacer Hardware Kit
 (4) .25" Spacers
 (4) M4 x 18mm Phillips Pan Head Screws
 Order # P404923-B



.5" Spacer Hardware Kit
 (4) .5" Spacers
 (4) M4 x 25mm Phillips Pan Head Screws
 Order # P404923-C