



WINSTON-E[®]
DESKTOP CONVERTERS

UPGRADE YOUR WORKSPACE.

Winston-E is a responsive powered riser that takes the sit-stand conversation to a whole new level. The next-generation retrofit worksurface with monitor arms is engineered for freedom of movement and is available in a single, dual, or triple monitor configuration.



FEATURES

- **Easy:** Installers can get Winston-E from box to up-and-running in less than 20 minutes. No need to move or replace furniture.
- **Programmable:** Electric lift remembers your height settings for one-touch adjustment.
- **Ergonomic:** Focal depth adjustment and independent movement keeps monitor at a comfortable, ergonomic level.
- **Flexible:** Independent monitor movement enable easy screen sharing.
- **Convenient:** Large worksurface and newly designed storage tray allow you to bring all necessities with you when standing.

SPECIFICATIONS

Finishes



Height Adjustment: 18.4"

Monitor Height Adjust Range: 12.6"

Max Monitor Height: 37.6"

Worksurface: 30" W x 22" D

Base: 16" W x 21" D

See pages 3-4 for additional specs



Focal depth adjustment



Independent monitor height adjustment

WARRANTY

5 years

WINSTON-E



WINSTON-E SINGLE

Screen Size: Up to 43"

Weight Capacity: Up to 40 lbs.

Part Numbers: WNSTE-1-___
WNSTE-1-CW-___ (compact worksurface)

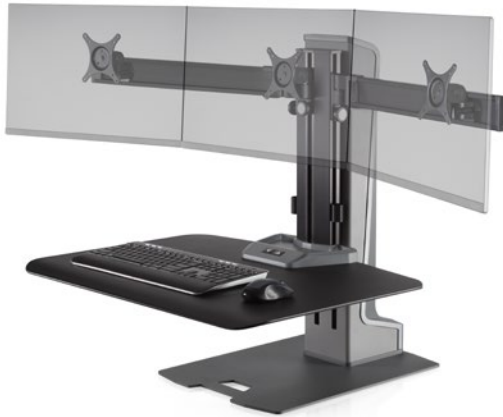


WINSTON-E DUAL

Screen Size: Up to 30"

Weight Capacity: Up to 40 lbs.

Part Numbers: WNSTE-2-___
WNSTE-2-CW-___ (compact worksurface)



WINSTON-E TRIPLE

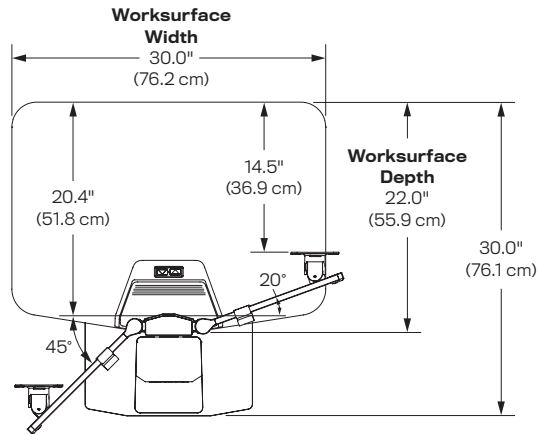
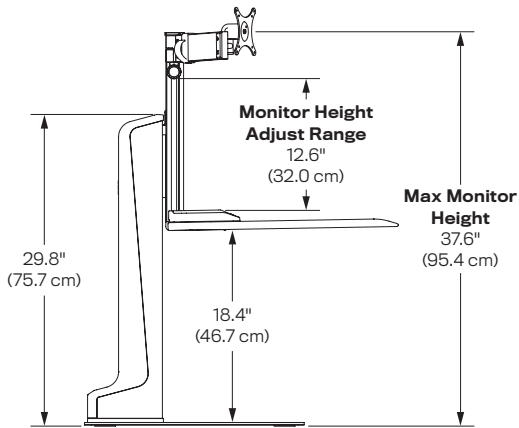
Screen Size: Up to 24"

Weight Capacity: Up to 40 lbs.

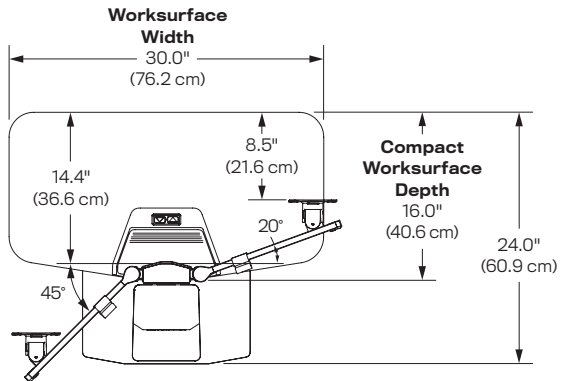
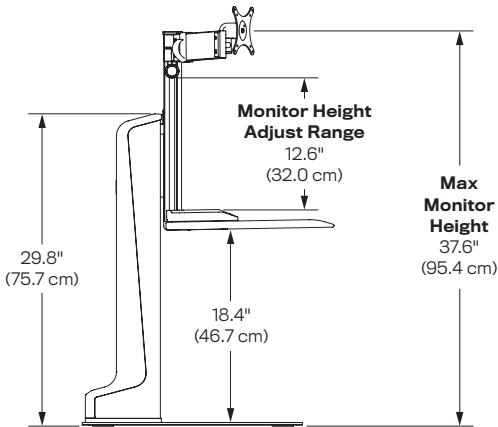
Part Numbers: WNSTE-3-___
WNSTE-3-CW-___ (compact worksurface)

CAPABILITIES

WINSTON-E



WINSTON-E COMPACT



BASE

