

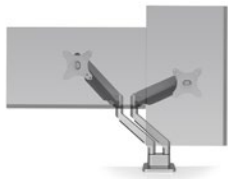
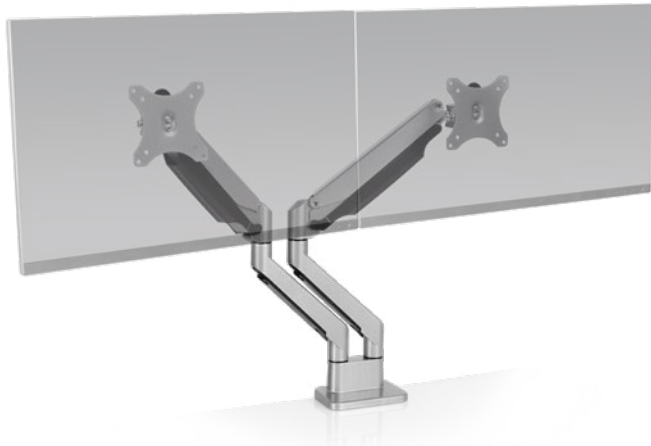


DUAL ENVOY

MONITOR ARMS

EFFORTLESS ADJUSTMENT.

This powerful articulating arm gives you control of your comfort with one-touch monitor adjustment. Reclaim your desktop with the sleek cable management system and a mount system that is easy to install.



Space-saving design



Integrated cable management

FEATURES

- **Balanced:** Tension adjustment at each joint allows for seamless counterbalance.
- **Responsive:** One-touch monitor adjustment.
- **Flexible:** Swivels, tilts and rotates from portrait to landscape.
- **Quick-Install:** Detachable, quick-install VESA plate reduces installation time.
- **Compatible:** VESA-monitor compatible – 75mm & 100mm VESA adapters included.

SPECIFICATIONS

Finishes

- White
WHT
- Silver
SLV
- Silver
BLK

Dimensions

Screen Size: Up to 32"
Height Adjustment: 13.2"
Extension Range: 23.7"
Max Monitor Height: 19.9"
Weight Capacity: 2.2 - 19 lbs. per monitor
Mount: Desk Edge, Grommet
Compatibility: 0.4" - 3.3" desk thickness

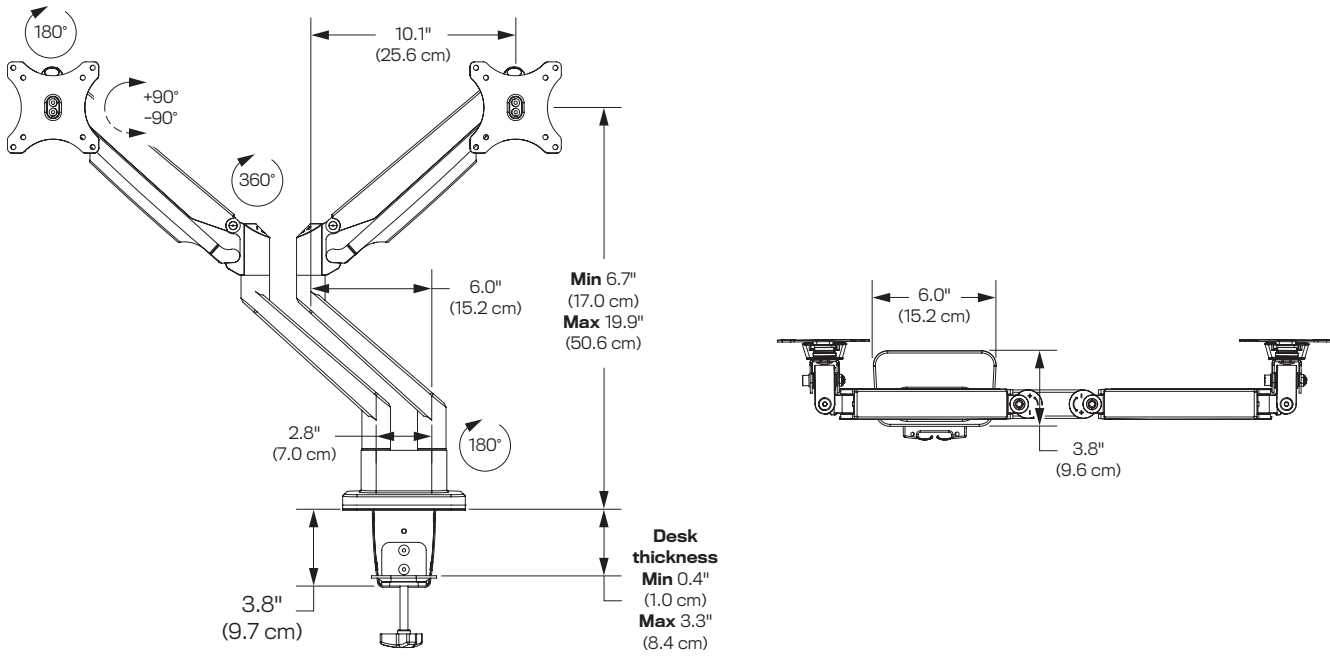
Part Numbers

ENVOY-2-__ _

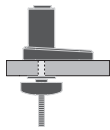
WARRANTY

10 years

CAPABILITIES



Desk Edge



Thru-Desk