



ELLA®
MONITOR ARMS

innovative™
design works

MAKING ERGONOMICS BEAUTIFUL.

Ella's groundbreaking design is surpassed only by its unparalleled performance. Discover easy installation and 180 degrees of controlled motion with this desk-mounted monitor arm.



Integrated handle enables one handed monitor adjustment



Cable management keeps cables off the desktop



Customization options available

FEATURES

- **Effortless:** Integrated handle allows for easy monitor movement.
- **Quick-Install:** Mount installation is performed above desk for quick and easy set-up.
- **Flexible:** Easily rotate flat panel monitor for portrait or landscape viewing.
- **Controlled:** Built-in 180-degree rotation stop at the base of the arm.
- **Compatible:** VESA-monitor compatible – 75mm & 100mm VESA adapter included.

SPECIFICATIONS

Finishes

- Flat White
248
- Silver
124
- Vista Black
104

(Optional customization options available. Contact your rep for details.)

Dimensions

Screen Size: Up to 43"
 Height Adjustment: 11.5"
 Extension Range: 24.4"
 Max Monitor Height: 32"
 Weight Capacity: 4 - 30 lbs.
 Mount: Desk Edge, Grommet
 Compatibility: Up to 1.7" desk thickness

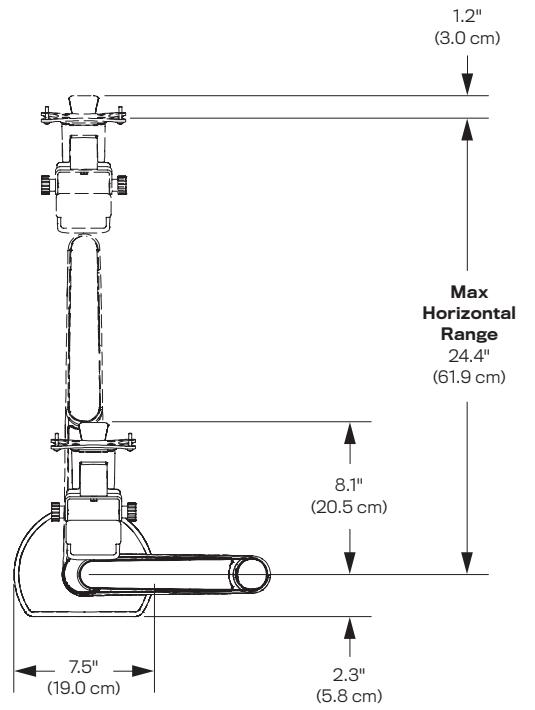
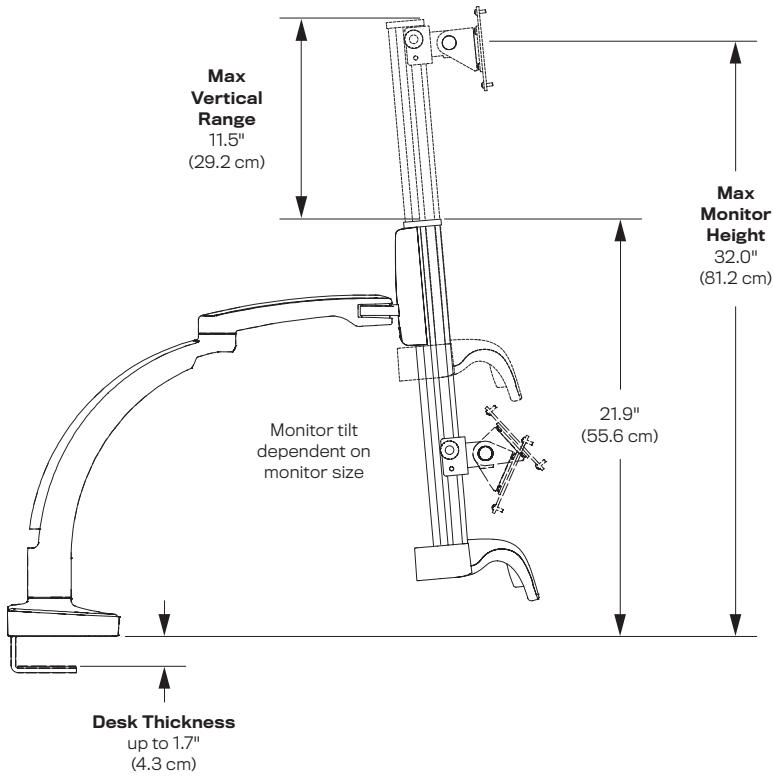
Part Numbers

ELLA-1-_-_-

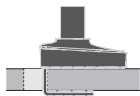
WARRANTY

10 years

CAPABILITIES



Desk Edge



Grommet