



DUAL ELLA[®]
MONITOR ARMS

MAKING ERGONOMICS BEAUTIFUL.

Ella's groundbreaking design is surpassed only by its unparalleled performance. Discover easy installation and 180 degrees of controlled motion with this desk-mounted monitor arm.



FEATURES

- **Effortless:** Integrated handle allows for easy monitor movement.
- **Quick-Install:** Mount installation is performed above desk for quick and easy set-up.
- **Flexible:** Easily rotate flat panel monitor for portrait or landscape viewing.
- **Controlled:** Built-in 180-degree rotation stop at the base of the arm.
- **Compatible:** VESA-monitor compatible – 75mm & 100mm VESA adapters included.

SPECIFICATIONS

Finishes

- Flat White
248
- Silver
124
- Vista Black
104

Dimensions

- Screen Size: Up to 30"
- Height Adjustment: 11.5"
- Extension Range: 26"
- Max Monitor height: 33.3"
- Weight Capacity: 2 - 15 lbs. per monitor
- Mount: Desk Edge, Grommet
- Compatibility: Up to 1.7" desk thickness

(Optional customization options available. Contact your rep for details.)

Part Numbers

ELLA-2-__



Robust dual monitor support

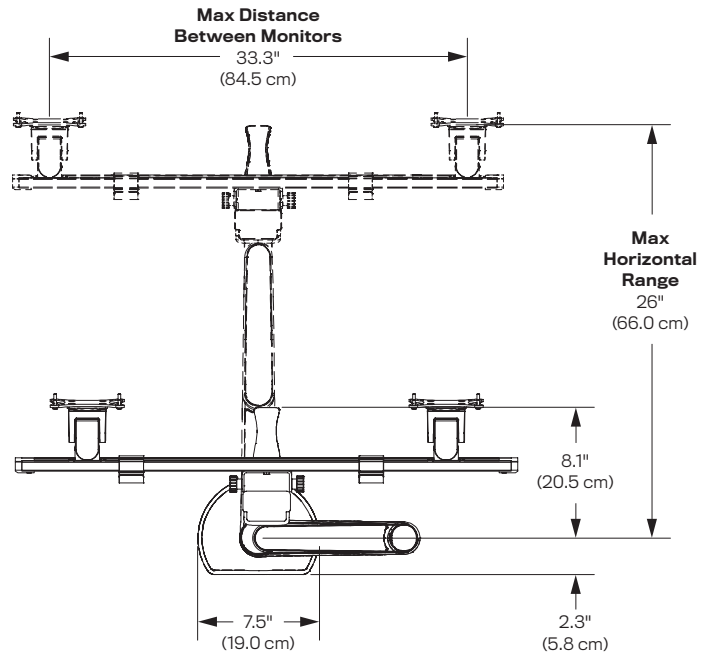
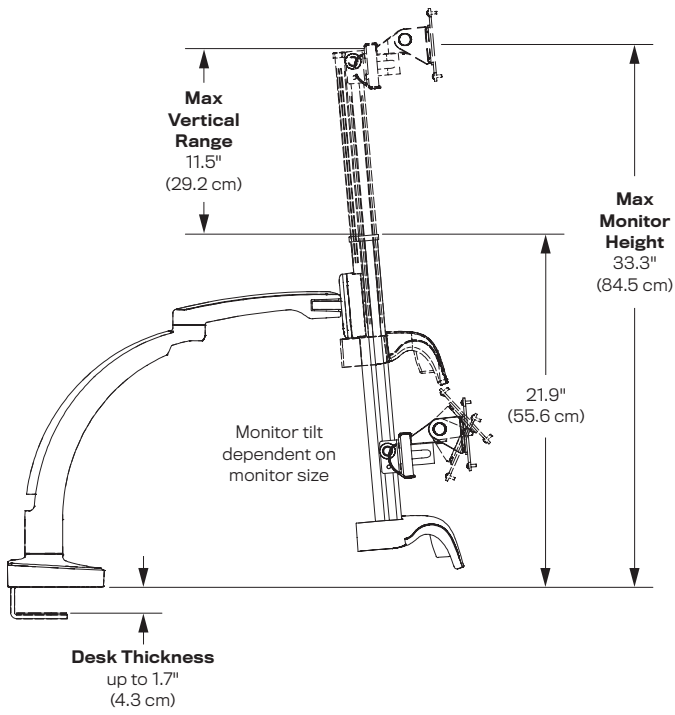


Integrated cable management

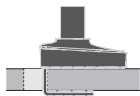
WARRANTY

10 years

CAPABILITIES



Desk Edge



Grommet