

9232

MONITOR ARMS



innovative™  
design works

# STREAMLINED MONITOR SUPPORT.

The 9232 monitor pole mount is an ideal light-duty monitor mounting solution for office spaces, POS and digital displays, kiosks, and retail environments looking to support monitors or tablets 10 lbs. and under. 9232 easily mounts to a desk or counter with a desk clamp; a thru-desk mount is also available.



## FEATURES

- **Flexible:** Friction control system provides smooth adjustment while adjusting the position of the dual monitor arms.
- **Easy:** Desk clamp features an integrated handle for easy set-up.
- **Customizable:** Combine with one of our tablet enclosures.
- **Compatible:** VESA-monitor compatible – 75mm & 100mm VESA adapter included.

## SPECIFICATIONS

### Finishes

 Vista Black  
104

### Dimensions

Extension Range: 14"  
 Weight Capacity: Up to 10 lbs.  
 Mount: Desk Clamp, Thru-Desk  
 Compatibility: Up to 2" desk thickness (desk clamp), Up to 1.8" (thru-desk)

### Part Numbers

9232-14-DC-\_\_\_ (Desk clamp mount)  
 9232-14-THRU-\_\_\_ (Thru-desk mount)

## WARRANTY

10 years



Integrated cable management



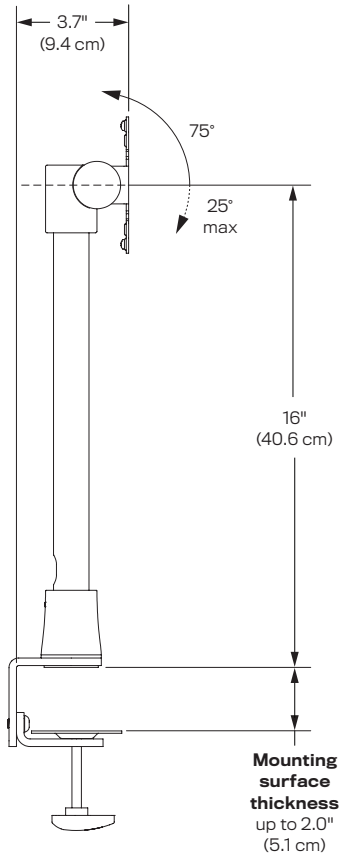
Ergonomic monitor movement



Available with either a desk clamp or thru-desk mount

CAPABILITIES

9232-DC



9232-THRU

