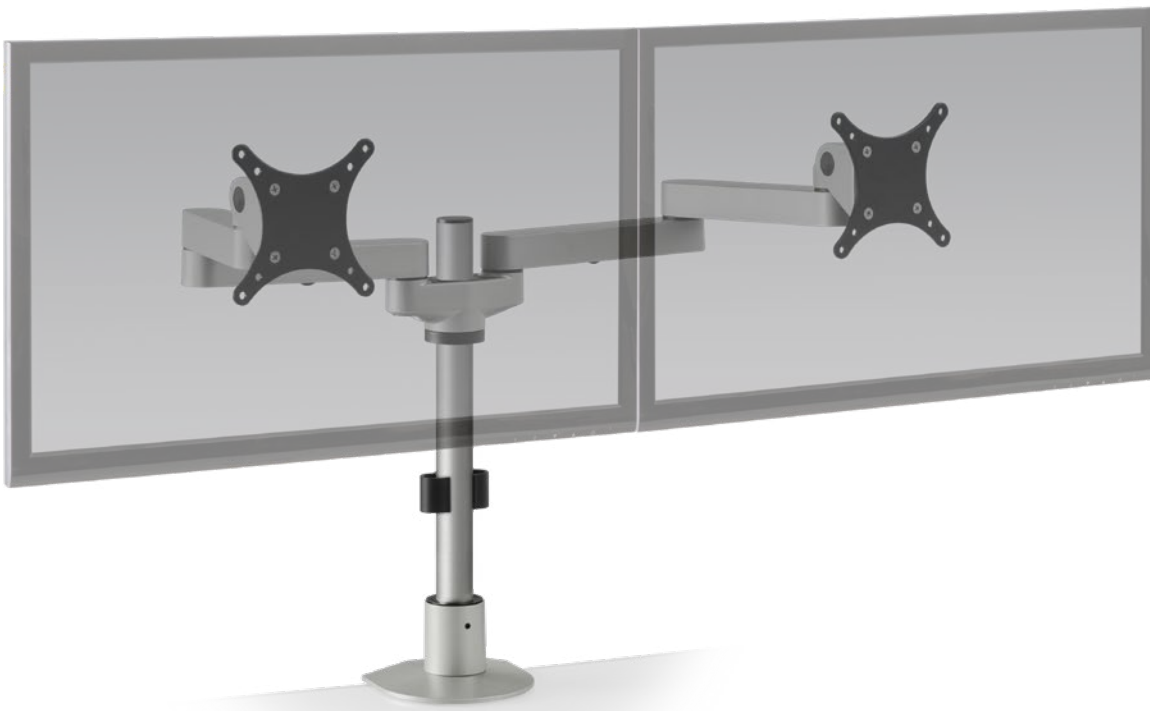


9163-S

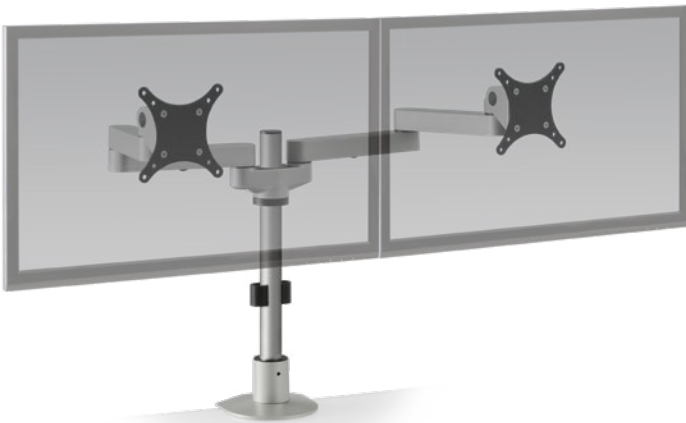
MONITOR ARMS



innovative™
design works

SPACE-SAVING ERGONOMIC COMFORT.

Ideal for a dual large monitor setup, the 9163-S places monitors up to 30" side by side in a space-saving pole mount. Easily position each monitor independently, and quickly adjust pivot and placement. Set the height of the dual monitors at any desired position along the included 14" pole mount.



FEATURES

- **Adjustable:** Friction control system provides smooth adjustment while adjusting the position of the dual monitor arms.
- **Flexible:** Monitor mount includes FLEXmount with six mounting options in one kit.
- **Customizable:** Optional upgrade to quick install/release monitor bracket; consult your sales rep for details.
- **Compatible:** VESA-monitor compatible – 75mm & 100mm VESA adapters included.

SPECIFICATIONS

Finishes

 Silver
124

 Vista Black
104

Dimensions

Screen Size: Up to 30"

Height Adjustment: Adjusts anywhere along pole

Extension Range: 16"

Weight Capacity: Up to 40 lbs. per monitor

Mount: Desk Edge, Thru-Desk, Grommet, Wall, Reverse Wall, Side Bolt

Part Numbers

9163-S-14-FM-__



Integrated cable management



Focal depth adjustment

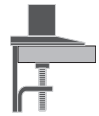
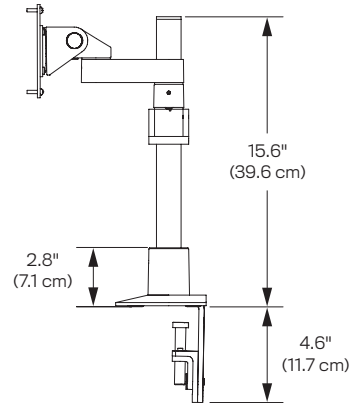
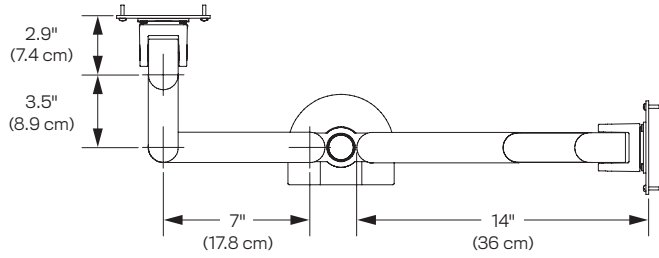


Space-saving design

WARRANTY

10 years

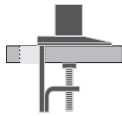
CAPABILITIES



Desk Edge



Thru-Desk



Grommet



Wall



Reverse Wall



Side Bolt