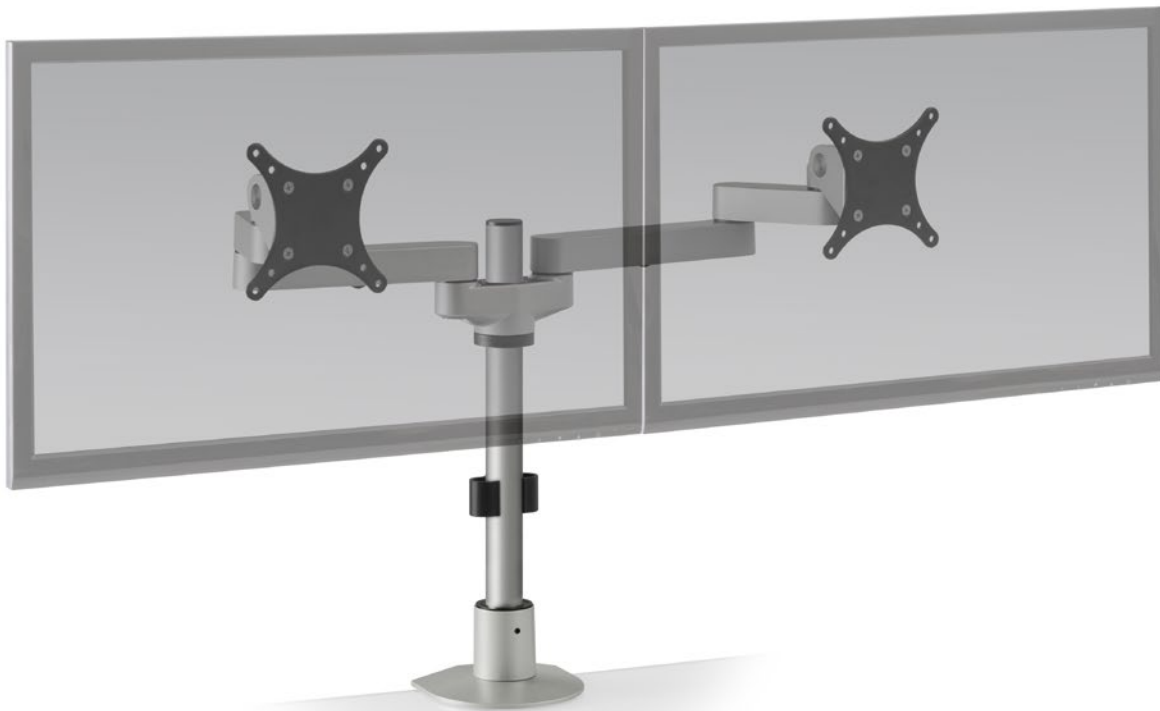


9120-S

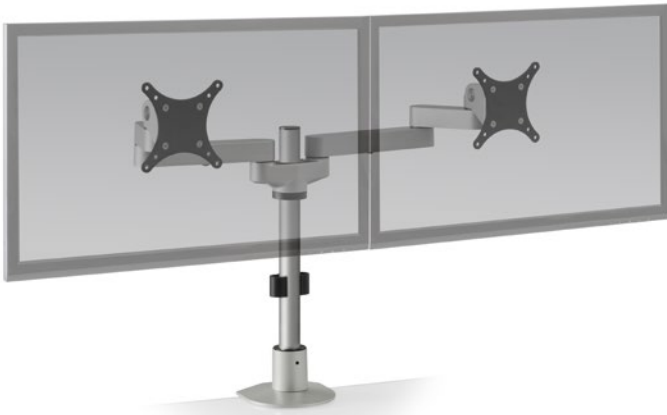
MONITOR ARMS



innovative™
design works

SPACE-SAVING ERGONOMIC COMFORT.

Easily mount two monitors side by side with the space-saving 9120 dual monitor mount. The articulating monitor arms allows users to position each monitor independently of the other, and quickly adjust, pivot, and place as needs change. The included 14" pole mount enables users to set the height at any desired position.



FEATURES

- **Adjustable:** Friction control system provides smooth adjustment while adjusting the position of the dual monitor arms.
- **Flexible:** Monitor mount includes FLEXmount with six mounting options in one kit.
- **Customizable:** Optional upgrade to quick install/release monitor bracket; consult your sales rep for details.
- **Compatible:** VESA-monitor compatible – 75mm & 100mm VESA adapters included.

SPECIFICATIONS

Finishes

■ Silver
124

■ Vista Black
104

Dimensions

Screen Size: Up to 24"

Height Adjustment: Adjusts anywhere along pole

Extension Range: 14"

Weight Capacity: Up to 40 lbs. per monitor

Mount: Desk Edge, Thru-Desk, Grommet, Wall, Reverse Wall, Side Bolt

Part Numbers

9120-S-14-FM-__ _



Integrated cable management

Focal depth adjustment

Space-saving design

WARRANTY

10 years

CAPABILITIES

