

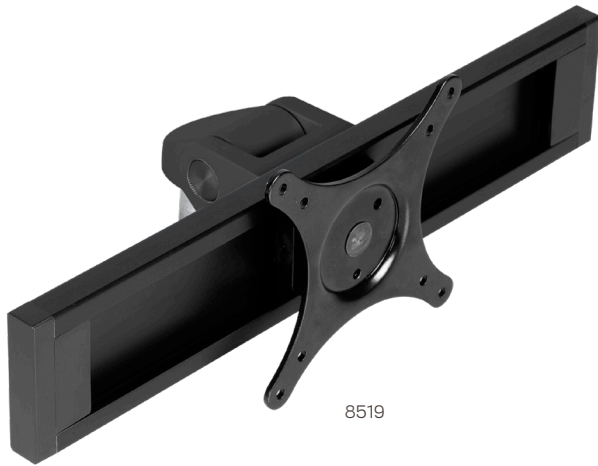
# SLIDER - 8519 | 8519-QR

ACCESSORIES



# ERGONOMIC MONITOR POSITIONING

Improve monitor positioning in multi-monitor configurations with our 8519 sliders. When monitor arms are adjusted forward or backward, the slider seamlessly aligns monitors size-by-side. This allows the user to set the optimal viewing height and distance without limitations.



8519



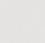

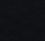
8519-QR

## FEATURES

- **Flexible:** Ideal for positioning monitors of varying sizes side-by-side.
- **Rotate:** Allows for landscape/portrait monitor positioning.
- **Compatible:** For use with 7000 and Staxx series monitor mounts.

## SPECIFICATIONS

### Finishes

	Flat White 248
	Silver 124
	Vista Black 104

### Dimensions

Adjustment range: 9" of adjustment from left to right.

### Part Numbers

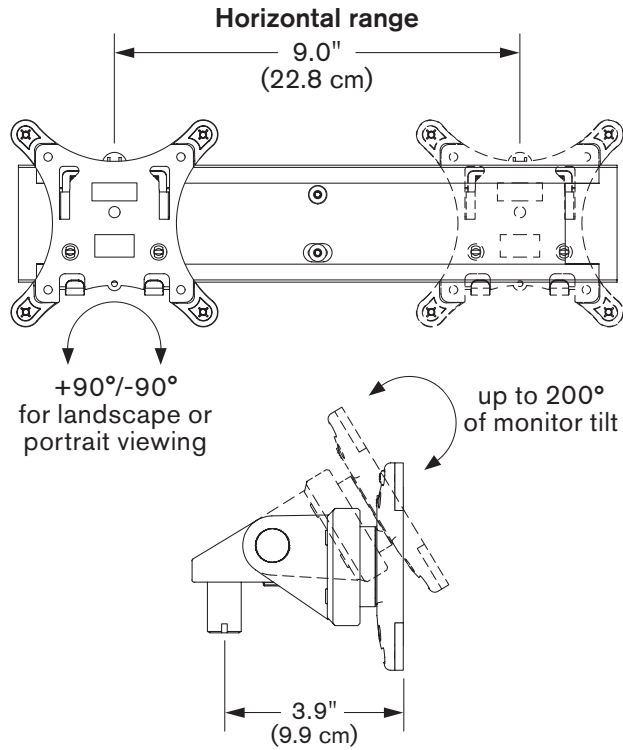
8519-\_\_\_: Fixed VESA  
8519-QR-\_\_\_: QR VESA

## WARRANTY

10 years

CAPABILITIES

8519



8519-QR

