

# VERTICAL MOUNTING SYSTEM - 8236

ACCESSORIES



# CONFIGURABLE SYSTEM.

The 8326 vertical mounting track provides a space-efficient method of elevating your entire computer system. This highly configurable solution can be customized to meet your needs by incorporating flexible monitor arms, keyboard arms, and a CPU holder. All cables are routed through track, and hidden behind a cable channel.



Add any Innovative monitor arm, keyboard arm, CPU holder



Optional CPU holder elevates your CPU to save space



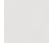

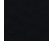
Cables are routed through track and hidden behind cable channel

## FEATURES

- **Custom:** Choose from standard length 13", 19" or 31" or contact your sales rep for custom lengths.
- **Clean:** Integrated cable management keeps cables organized and out of view.
- **Configure:** Configure with your choice of monitor arm, keyboard arm and CPU holder.
- **Safe:** Mounting system prevents accidents and trip hazards which may damage equipment or harm staff.

## SPECIFICATIONS

### Finishes

	Flat White 248
	Silver 124
	Vista Black 104

### Dimensions

Screen Size: Up to 43"  
Mount: Wall

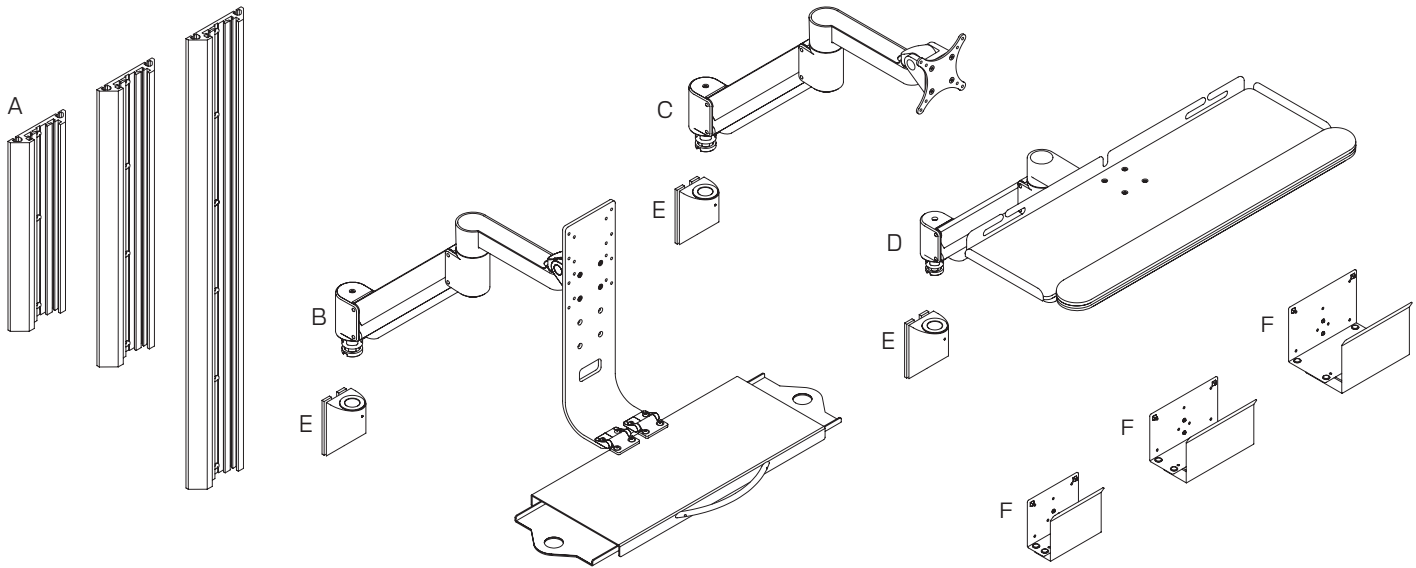
### Part Numbers

8326-\_\_\_

## WARRANTY

10 years

---

**VERTICAL TRACK SYSTEM COMPONENTS**


**A Wall Track**  
 Choose from three lengths:  
 13", 19" and 31".  
 (Width of track is 4.4")  
 Model 8326

**B Data Entry Monitor Arm**  
 Supports monitor and keyboard tray.  
 (Requires track mount)  
 Model 7509

**C Monitor Arm**  
 Add any Innovative monitor arm.  
 (Requires track mount)

**D Keyboard Arm**  
 Accommodates keyboard and mouse.  
 (Requires track mount)  
 Model 7019-NM

**E Track Mount**  
 Mounts arm to track.  
 Model 8328

**F CPU Mount**  
 Adjustable mount secures CPU.  
 Model 8335-SM, 2-3" wide  
 Model 8335-MD, 3-5" wide  
 Model 8335-LG, 5-7" wide